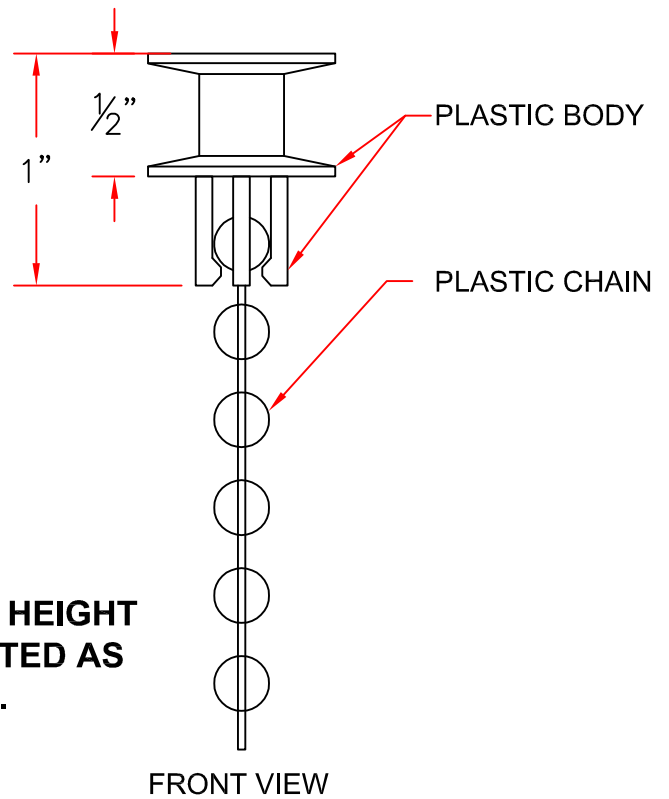
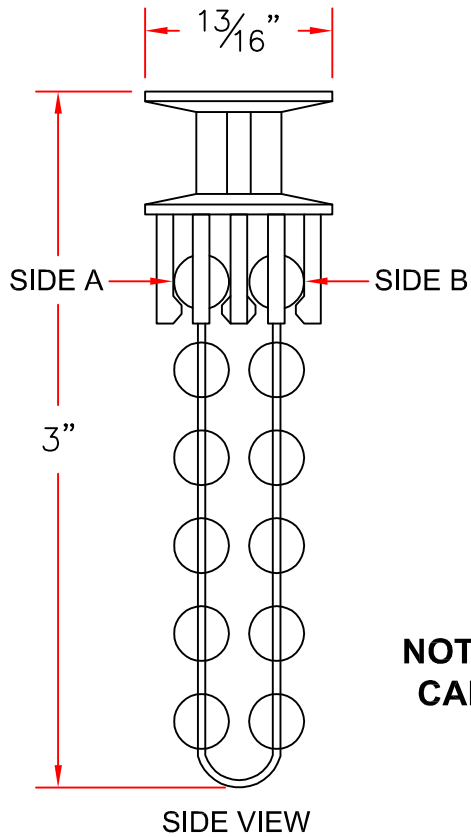


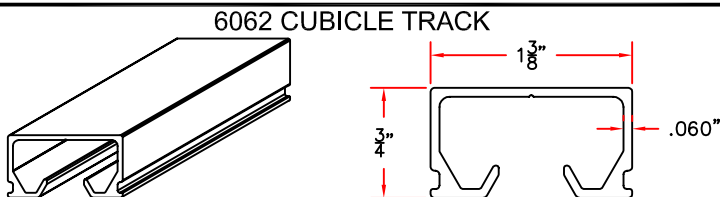
SBC30 BREAK-A-WAY CARRIER



**NOTE: CARRIER HEIGHT
CAN BE ADJUSTED AS
NEEDED.**

TWO PIECE BREAK-A-WAY CARRIER MADE FROM PLASTIC.

NOTE: SIDE A OF THE BEAD CHAIN LOOP WILL POP OUT WHEN 20 LBS. OF PRESSURE IS APPLIED, SIDE B WILL POP OUT WHEN 8 LBS. OF PRESSURE IS APPLIED.



DRAWING BY: CDL

DATE: 5/20/2021

CS™ Cubicle Curtains