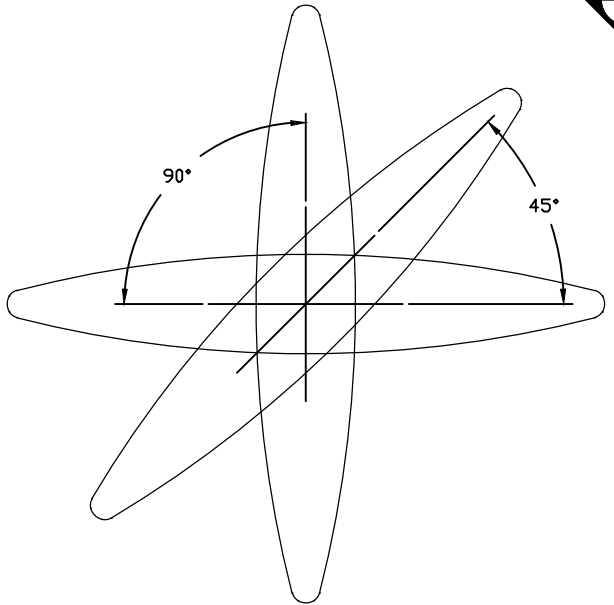
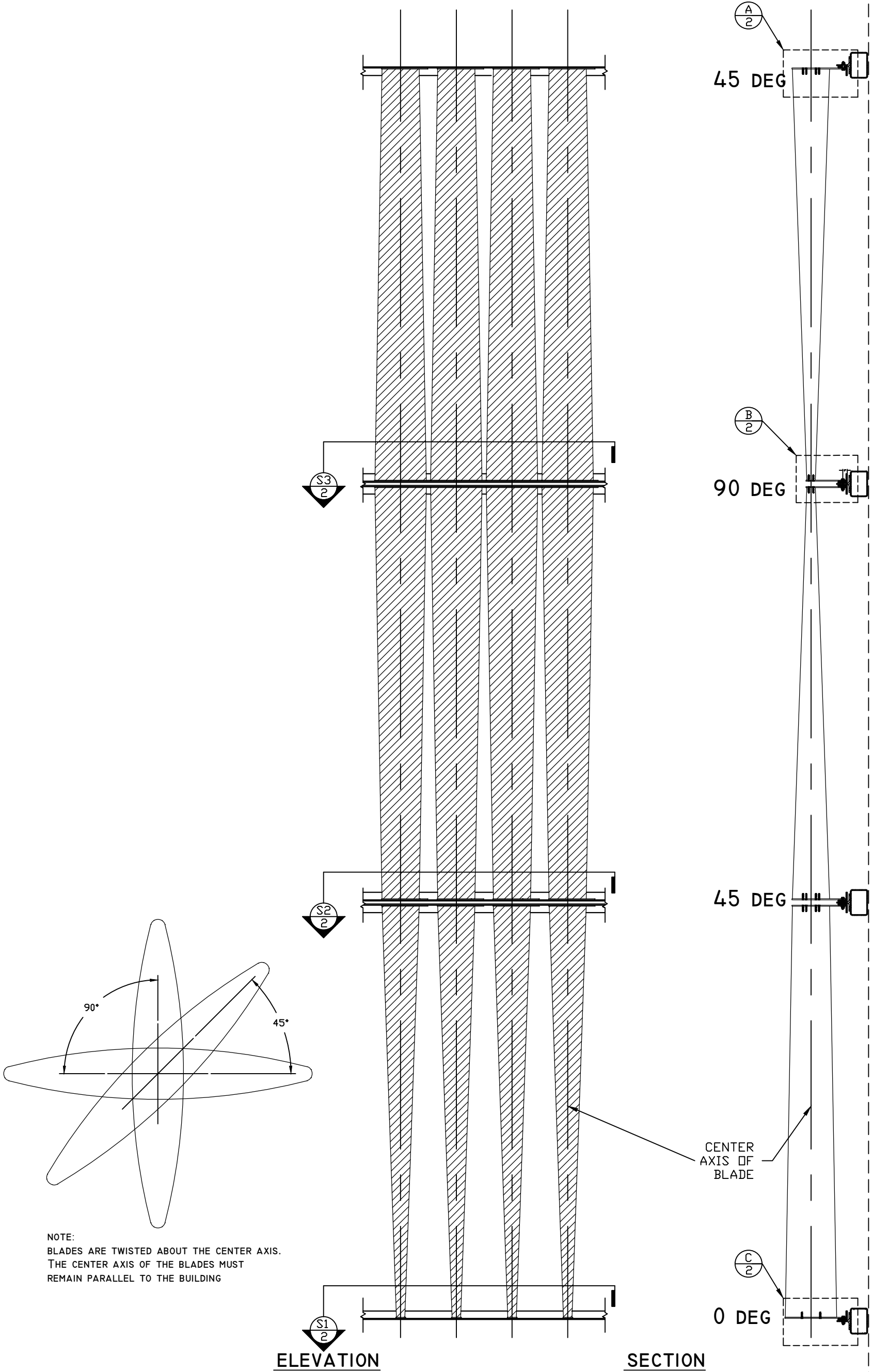


AIRFOIL SYSTEM

LIMITS:

12" AFB - 5.625 DEG PER FOOT MAX TWIST



NOTE:
BLADES ARE TWISTED ABOUT THE CENTER AXIS.
THE CENTER AXIS OF THE BLADES MUST
REMAIN PARALLEL TO THE BUILDING



Construction Specialties™
49 MEEKER AVENUE, CRANFORD, NEW JERSEY
PHONE: 1-800-631-7379 / FAX: 908-272-5844

PROJECT: TWISTED SUNSHADE	REVISION: 02-13-19
TITLE: AFB ELEVATION & SECTION	DATE: 2-14-18
SCALE: 1/2" = 1'	SHEET: 1 OF 3
DRW BY: J BLAKE	DRW NO : RD-