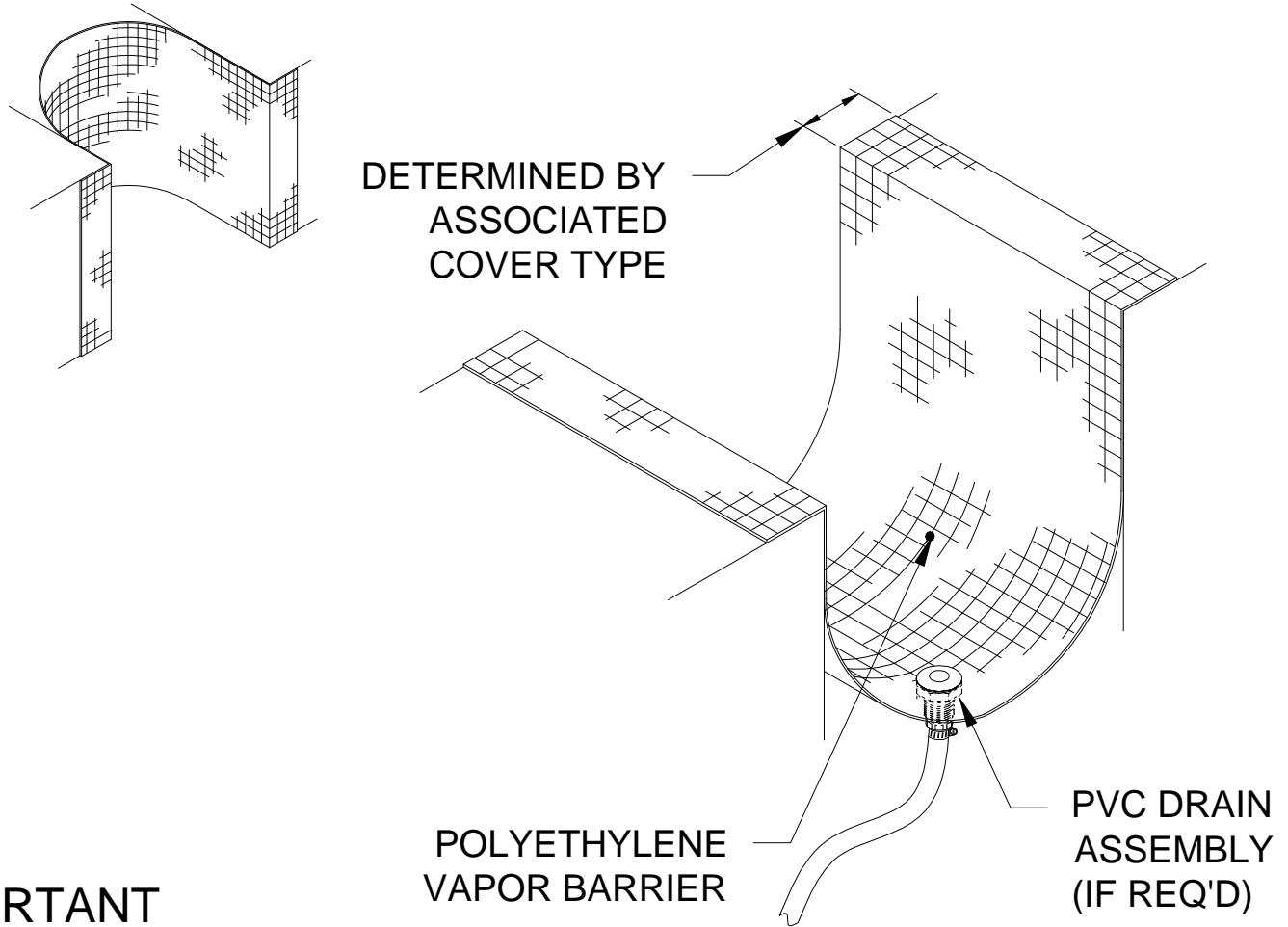


# VAPOR BARRIER INSTALLATION INSTRUCTIONS



## IMPORTANT INFORMATION

Prior to the commencement of installation, all materials **MUST** be inspected for damage. Any damage must be reported to CONSTRUCTION SPECIALTIES, INC., as soon as possible, so that replacement materials may be furnished without delay.

All work must be completed as per Architect's Approved "Shop Drawings", and in accordance with these Installation Instructions. When installation is complete, all materials must be protected from damage until the Architect's FINAL INSPECTION.

All materials should be arranged in the order that they are to be installed. All hardware required for each portion of the work should be placed with the appropriate materials.

Please review all Approved Shop Drawings and this document to familiarize yourself with all the details and components of this assembly.

## IMPORTANT:

**READ THROUGH ALL INSTRUCTIONS PRIOR TO STARTING INSTALLATION**

8/13/12



**Construction Specialties™**

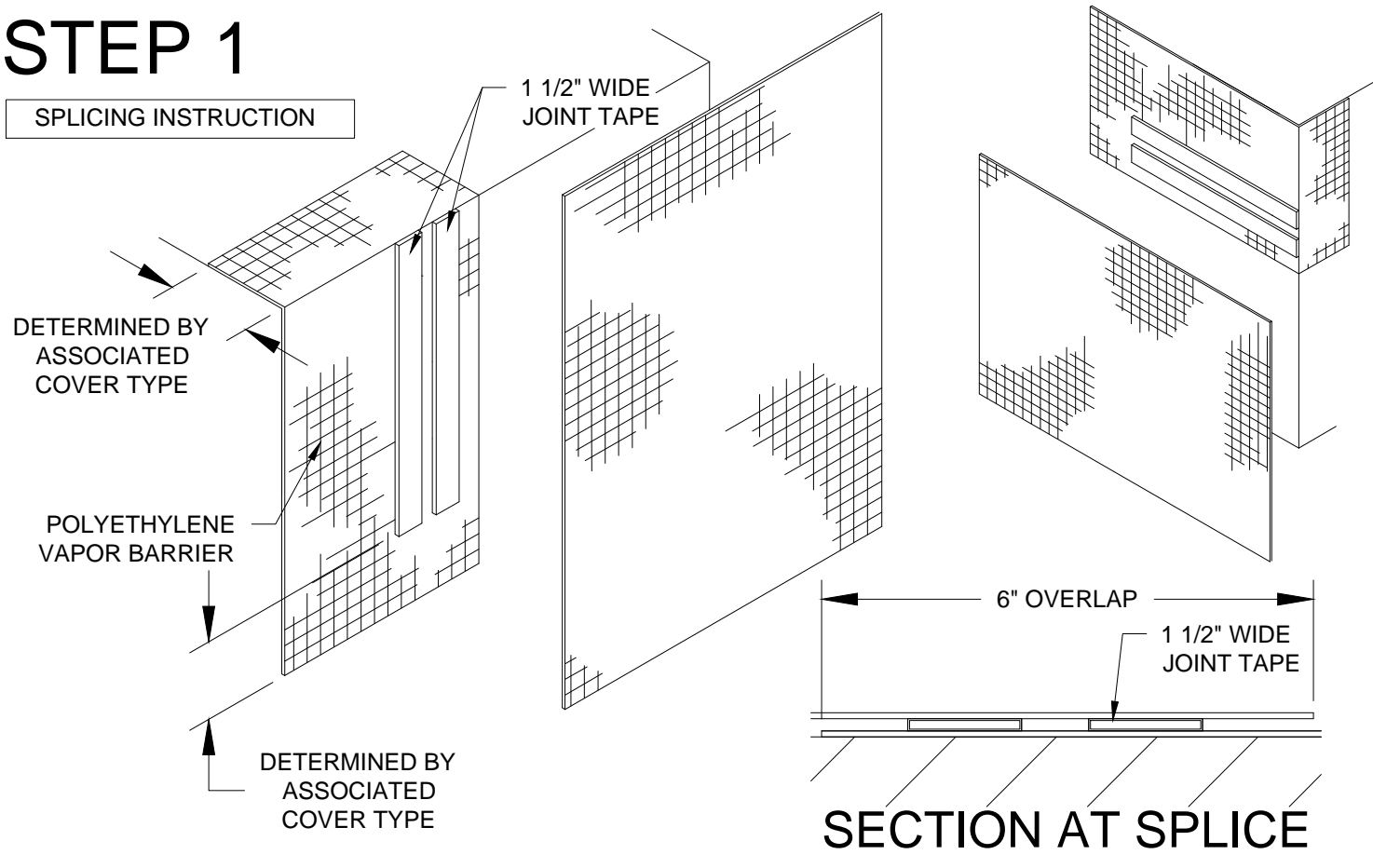
6696 Route 405 Highway, Muncy PA 17756  
(800) 233-8493 • Fax (570) 546-5169 • [www.c-sgroup.com](http://www.c-sgroup.com)

This document is the property of Construction Specialties, Inc. and contains CONFIDENTIAL PROPRIETARY INFORMATION that is not to be disclosed to third parties and is not to be used without approval in writing from Construction Specialties, Inc.

## Notes

- Check for materials that may have been damaged during shipping. Report all incorrect and/or damaged components to C/S at 800-233-8493.
- Read through all the steps of these instructions prior to beginning work.
- Vapor Barrier must be installed in conjunction with Expansion Joint Cover Framework.
- Prior to starting installation prepare the face of the slabs by removing any loose debris, oil, or grease.
- Before beginning installation extra vapor barrier material should be allowed for transitioning from one run to another, where required.
- During the installation the vapor barrier material can be held in place using construction tape while operations such as splicing and drain installation are performed.
- Determine the location of drains, if required, before beginning installation. Drains must be installed when one side of the vapor barrier is not yet attached.
- Locate any Base Closures required by the C/S Approved Shop Drawings. Extra material will be required at these locations.

# STEP 1



- 1.1) Mount one side of the water stop allowing the proper amount of material for the installation conditions associated with the cover type.
- 1.2) Clean dust and debris from the surface of the vapor barrier to be adhered.
- 1.3) Cut (2) lengths of C/S supplied 1 1/2" Wide Joint Tape, equal to the width of the vapor barrier drape leaving the area clear that is to be under any framework.
- 1.4) Apply the first piece of joint tape 1 1/2" from the edge of the end of the vapor barrier to be spliced. Apply the second piece 1/2" to 3/4" apart and parallel to the first. DO NOT REMOVE THE PAPER BACKING.
- 1.5) Position the next section of vapor barrier to overlap the previous section by 6".
- 1.6) Remove the paper backing from the joint tape and press the adjoining section of the vapor barrier onto the tape creating a watertight seal.
- 1.7) Splice joint is complete, continue installation.

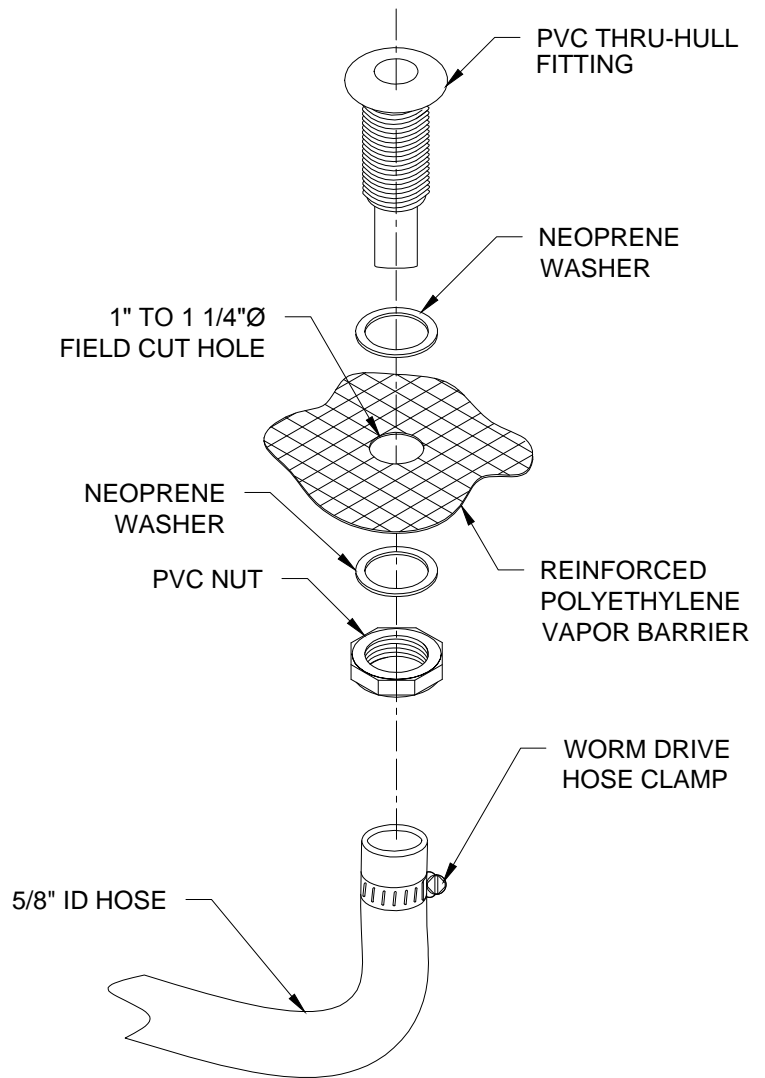
## IMPORTANT NOTE:

Joint tape adheres instantly to the vapor barrier and is very difficult to remove. Use caution when placing joint tape and aligning vapor barrier splice.

# STEP 2

## PVC DRAIN INSTALLATION

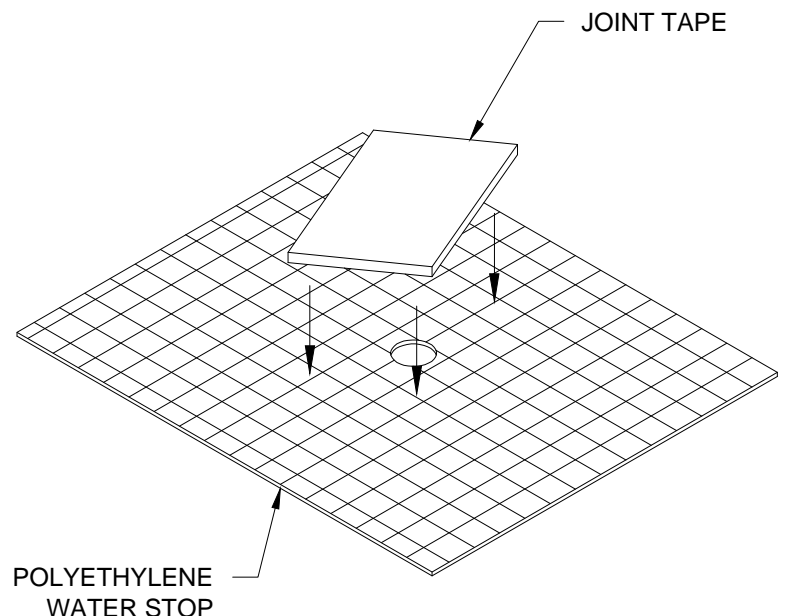
- 2.1 When required, determine the location for the drain.
- 2.2 Mount one side of the vapor barrier allowing the proper amount of material for the installation conditions associated with cover type.
- 2.3 Find the lowest point on the drape by holding the loose side of the vapor barrier as if it were installed. Mark the lowest hanging point on the drape.
- 2.4 Cut a 1" to 1 1/4" diameter hole at this location.
- 2.5 Install the PVC Drain by placing a neoprene washer over the threaded shaft until tight against the bottom of the drain.
- 2.6 Insert the threaded portion of the drain assembly into the hole in the vapor barrier.
- 2.7 Place the second neoprene washer over the threaded portion of the drain assembly until tight against the vapor barrier.
- 2.8 Thread the PVC Nut on the threaded portion of the drain assembly until tight against the neoprene washer. Tighten nut until both neoprene washers are pressed tightly against the vapor barrier creating a watertight seal.
- 2.9 Thread the male portion of the PVC hose adapter into the female threads in the bottom of the drain assembly until tight.
- 2.10 The installation of the drain is complete. Connect the C/S supplied 5/8" I.D. hose to the hose adapter and clamp.



# STEP 3

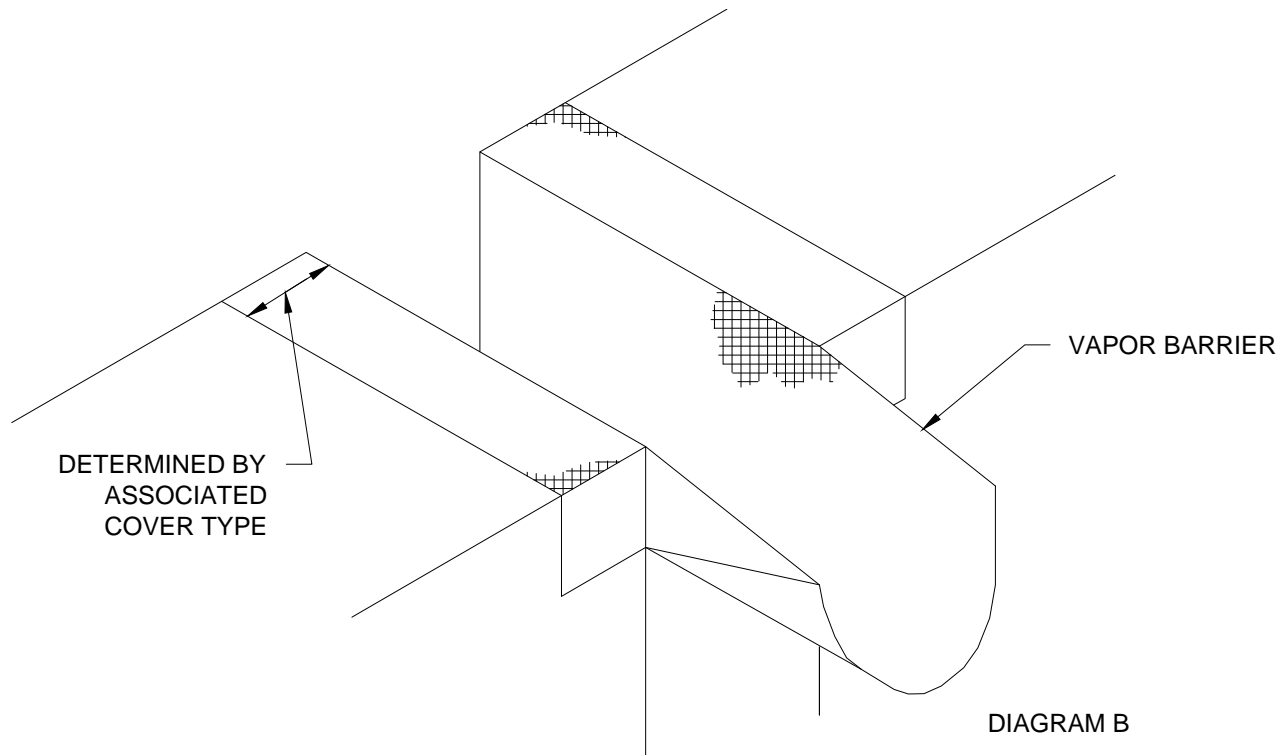
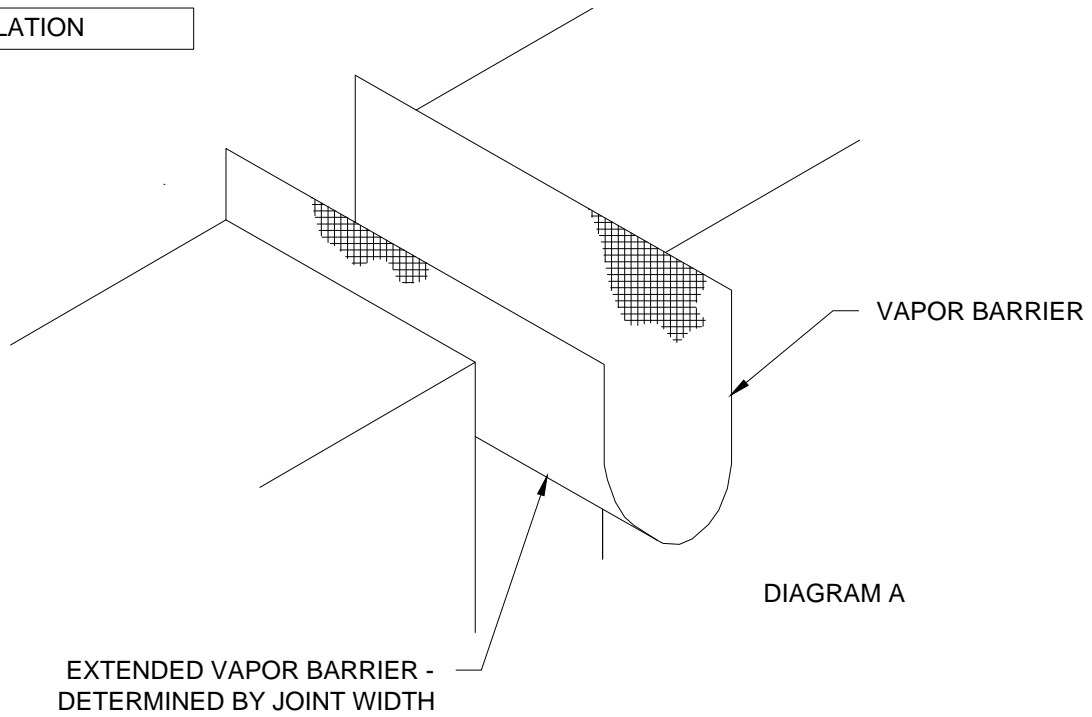
## PUNCTURE REPAIR INSTRUCTION

- 3.1 Should any punctures or holes be created in the vapor barrier material, locate the hole and clean dust and debris from the area.
- 3.2 Cut and apply a piece of Joint Tape large enough to overlap all edges of the area by 1/2".
- 3.3 Press joint tape firmly into place against vapor barrier creating a watertight seal.
- 3.4 The vapor barrier has been repaired. **DO NOT REMOVE THE PAPER BACKING.** This will prevent other material from adhering to the joint tape.



# STEP 4

## END DAM INSTALLATION



Vapor Barrier End Dams are installed at the end of a horizontal run of vapor barrier or a transition between joint widths in a single run of exterior expansion joint cover. The length of the end dam extension is determined by the joint width, an extra length of material equal to the width of the joint will be required at the location of the end dam.

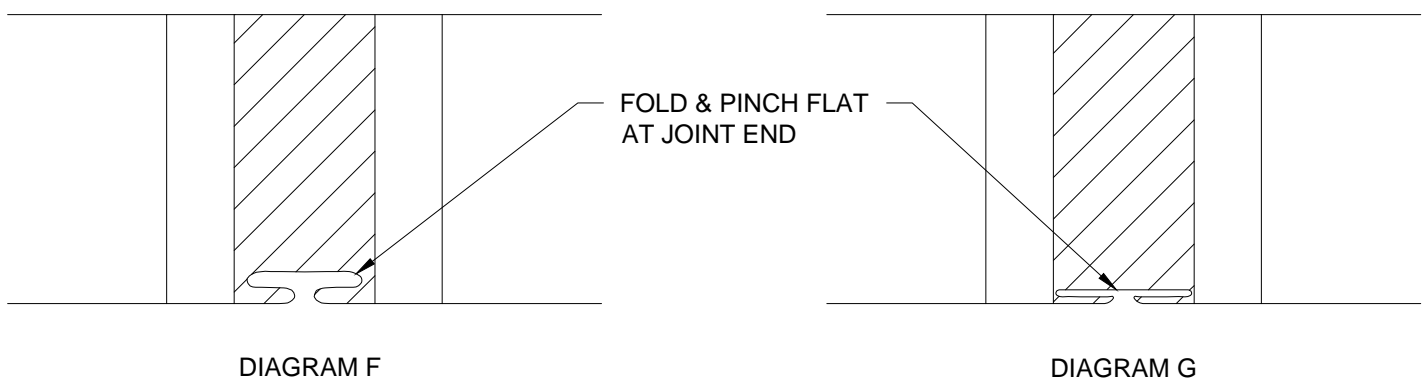
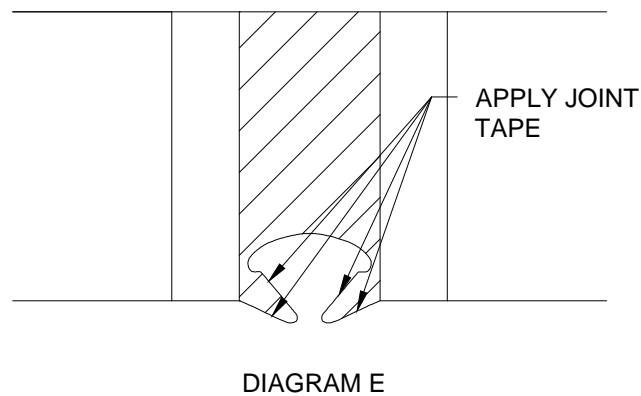
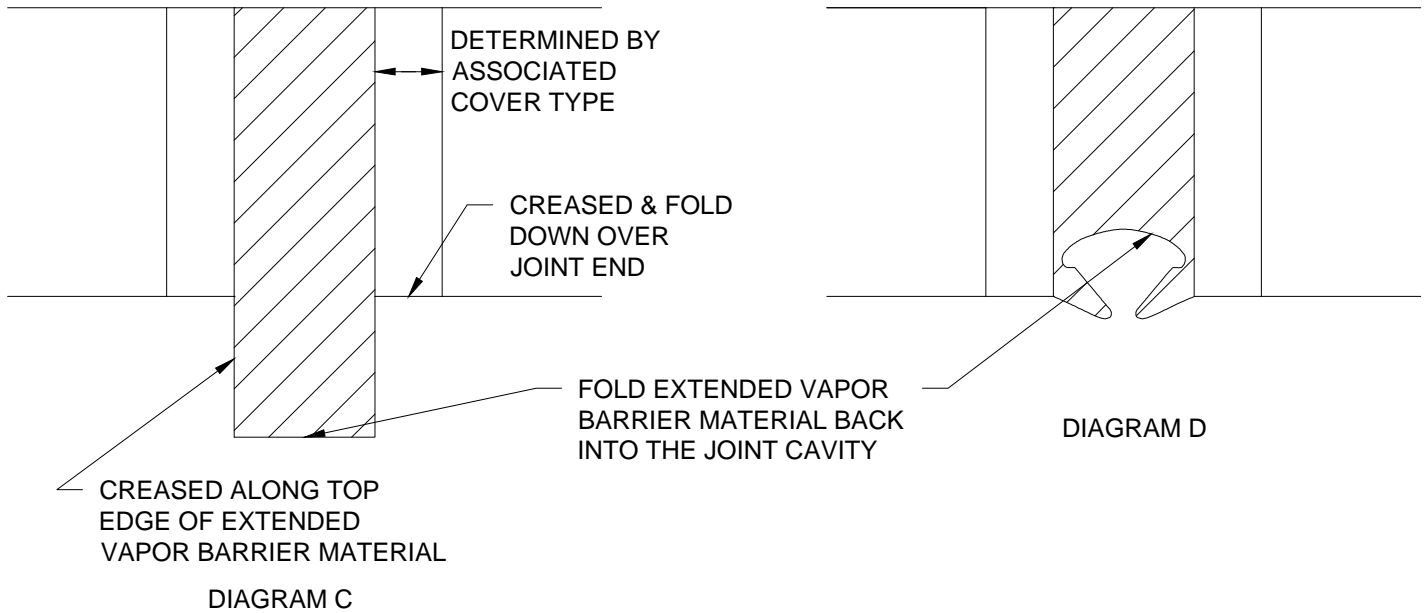
### IMPORTANT NOTE:

Actual field conditions may differ from shown.

- 4.1) Allow a length of vapor barrier equal to the width of the joint to extend beyond the end of the run.
- 4.2) Fold the extended vapor barrier down at joint end and crease the vapor barrier out the length of the extended vapor barrier.  
(See diagram B)

# STEP 4 CON'T

## END DAM INSTALLATION



- 4.3) Fold the creased extended vapor barrier (See diagram C) back into the joint cavity. (See diagram D)
- 4.4) Apply a strip of joint tape at the top edge of folded vapor barrier material (4 locations) . For joint sizes 6" or larger apply 2 strips of joint tape. (See diagram E)
- 4.5) Remove the paper backing from the joint tape on one side and apply. Press firmly into place.
- 4.6) Remove the paper backing from the other side of the joint tape and pinch flat vapor barrier material extended into the joint cavity. (See diagram E & F)