


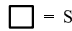
# Qwik Switch™

## MINIMUM APPLICATIONS FOR DIFFERENT CEILING HEIGHTS, TRACK SIZES AND SHAPES.

THIS REPRESENTATION IS NOT AT SCALE

### SYMBOLS & CODES LEGEND

 = Curtain Stacking Area

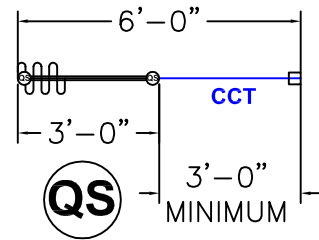
 = Stop

**CCT** = Cubicle Track

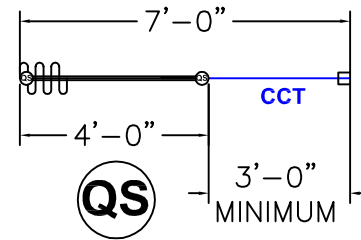
**QS** = Qwik Switch™

### STRAIGHT TRACK SECTIONS

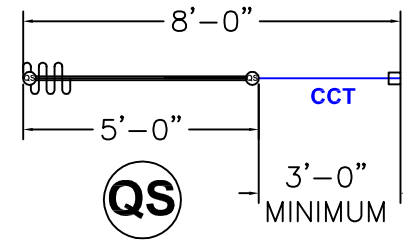
#### 7'-0" TO 7'-11" CEILING HEIGHT



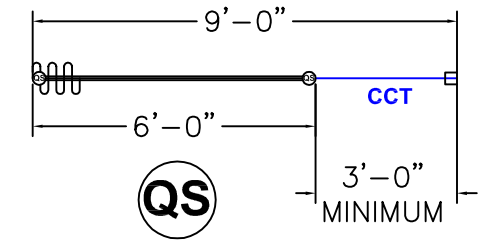
#### 8'-0" TO 8'-11" CEILING HEIGHT



#### 9'-0" TO 9'-11" CEILING HEIGHT

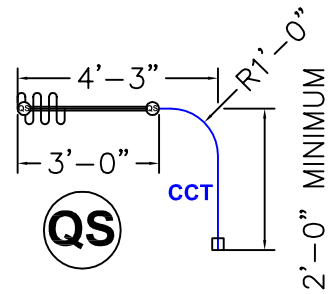


#### 10'-0" TO 10'-11" CEILING HEIGHT

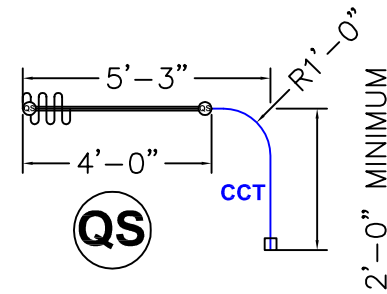


### CURVED TRACK SECTIONS

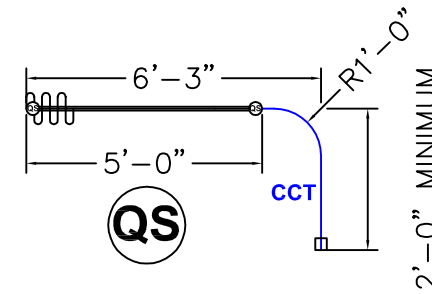
#### 7'-0" TO 7'-11" CEILING HEIGHT



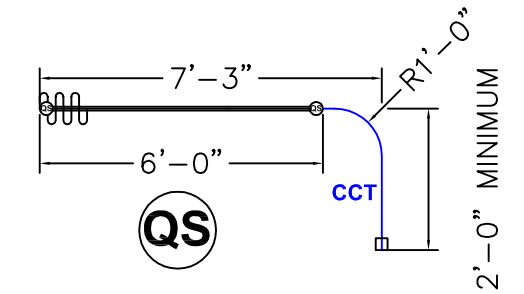
#### 8'-0" TO 8'-11" CEILING HEIGHT



#### 9'-0" TO 9'-11" CEILING HEIGHT



#### 10'-0" TO 10'-11" CEILING HEIGHT



- For Qwik Switch™ to be used on special radius track, these must have at least 3 feet of straight track section after radius end at the curtain stack area side.
- For Qwik Switch™ to be used on bends with over 12" radiuses, with straight track sections on each leg, there must be 3" of straight track after the radius bend for the hinge to mount on the track section to the stack area side and 2 feet minimum on the opposite leg.
- Please allow 3', 4', 5' or 6' clearance from the termination of the cubicle track to the wall for the installation of the Qwik Switch™ safety loading unit. Note: Clearance depends on ceiling height. (Refer to chart for proper sizing).

- If the standard minimum applications for different ceiling heights are not met, C/S can provide up to 1' less on the loading zone section of the track.
- Qwik Switch™ cannot be used on continuous radius tracks.
- Qwik Switch™ parts detail on page 2.

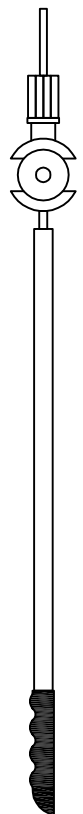


**Cubicle Curtains™**

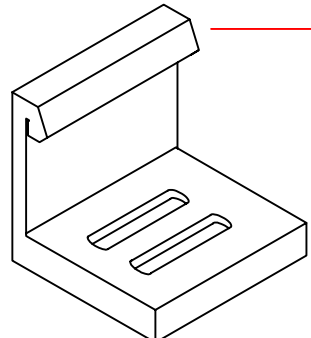
3 Werner Way, Lebanon, NJ 08833

# Qwik Switch™

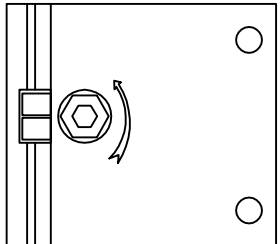
WAND



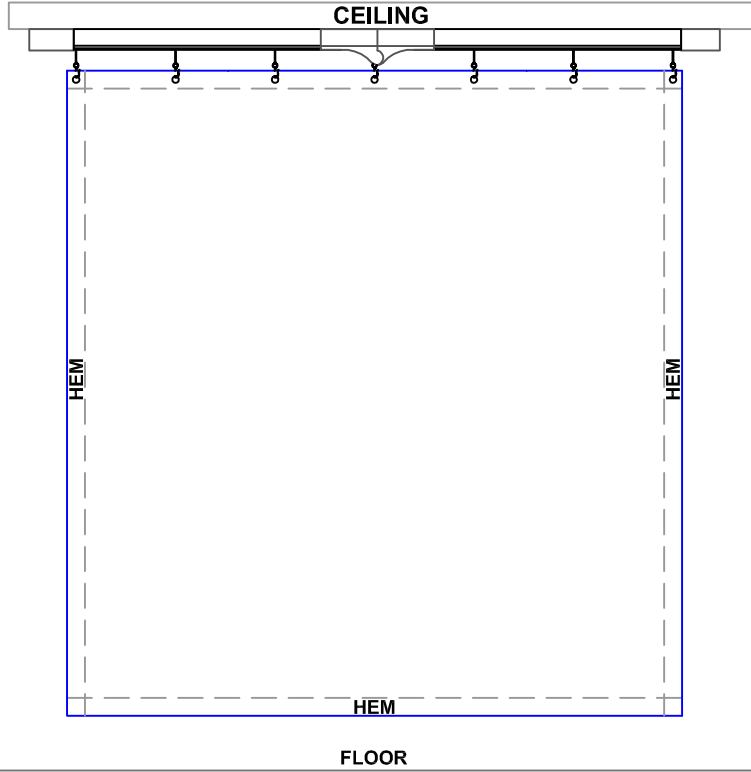
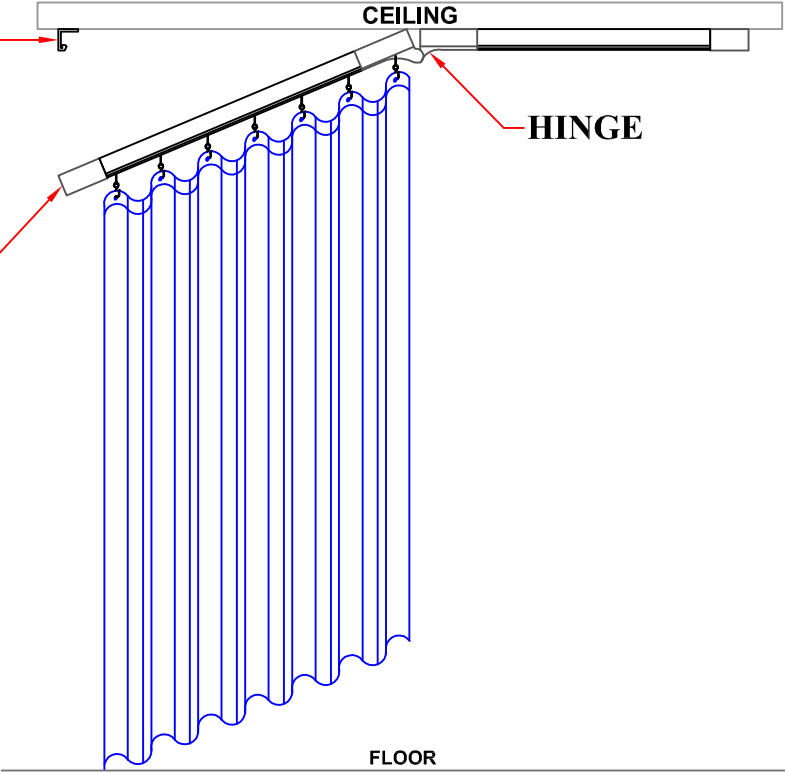
LATCH



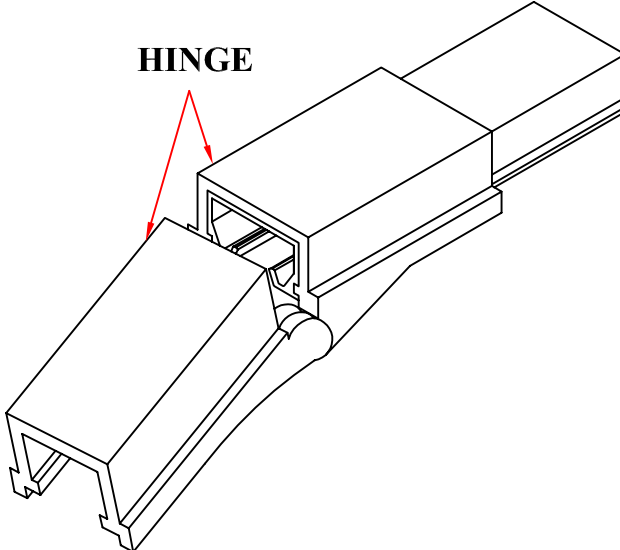
LOCKING MECHANISM



KEY STOP

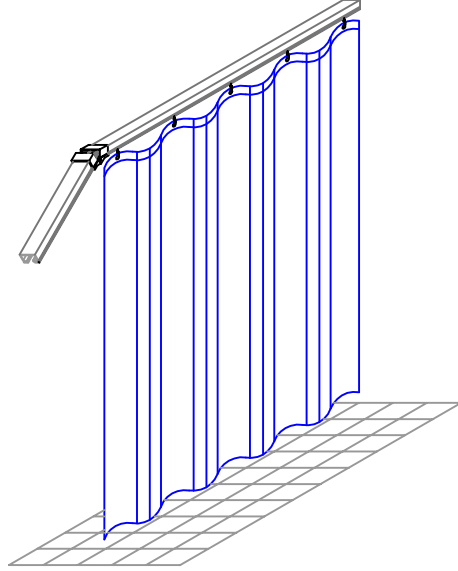


HINGE



The Qwik Switch™ allows the track system to pivot down for removing curtains from the carriers. Hinged section of track are available in lengths of up to 6' in a finish to match clear anodized.

With a simple turn of the 48" wand, the privacy curtain can be brought down for laundering and clean curtains can easily be put up while standing on the floor.



ISOMETRIC VIEW

