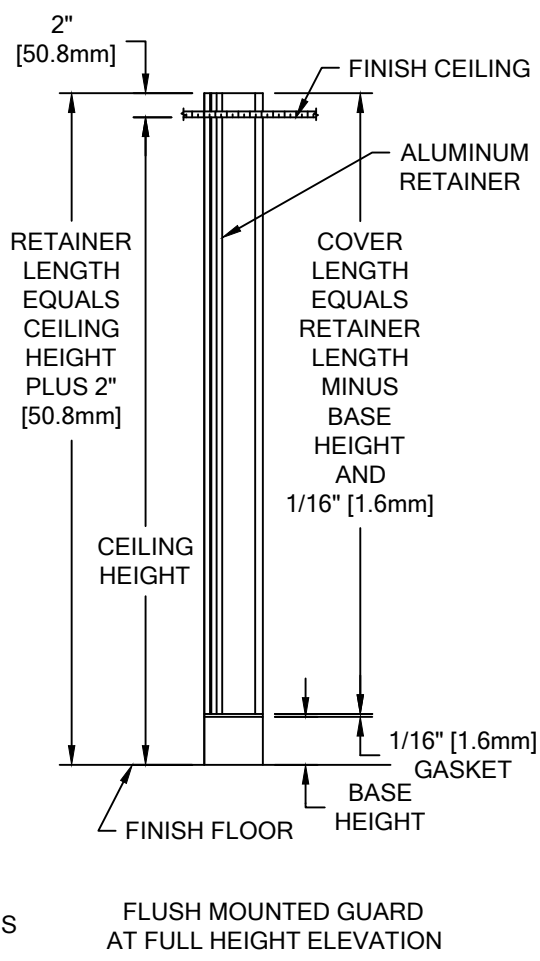
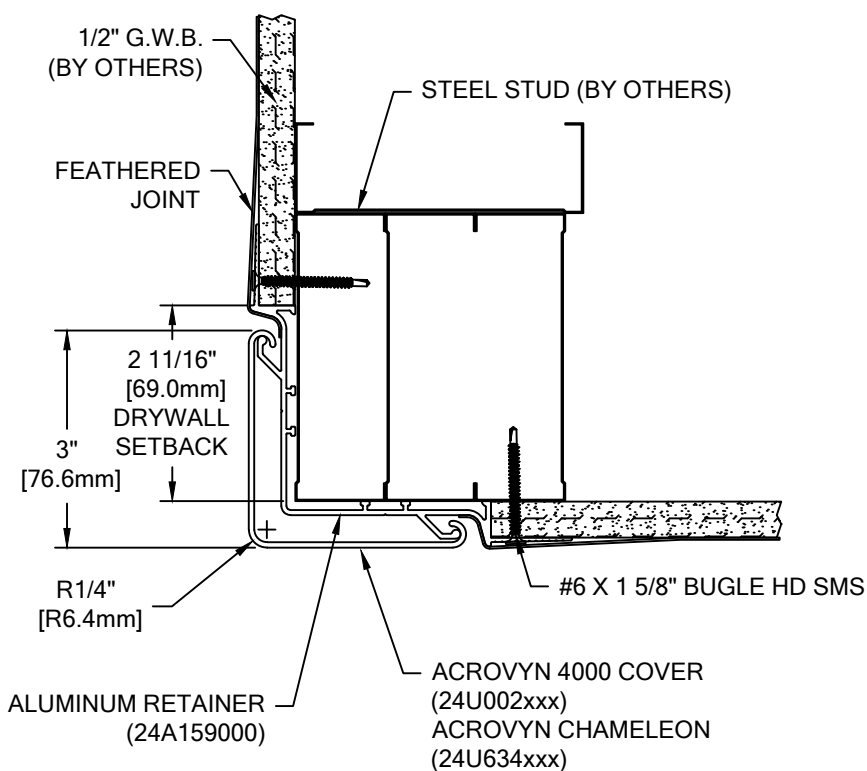


COLOR: _____
 CORNER GUARD: _____
 COLOR TO BE SELECTED FROM ONE OF CS STANDARD COLORS.


| UNITS REQ'D | CEILING HEIGHT | RETAINER LENGTH | COVER LENGTH | BASE HEIGHT |
|-------------|----------------|-----------------|--------------|-------------|
| | | | | |
| | | | | |
| | | | | |

- NOTES:**
- UNITS TO BE FURNISHED IN LENGTHS TO ACCOMMODATE THE SPECIFIED CEILING HEIGHT, WITH 2" ADDED FOR FIELD VARIATIONS. WHERE POSSIBLE, THIS 2" SHOULD EXTEND INTO THE CEILING.
 - A MINIMUM 24 GA. CHANNEL STUD MUST BE SECURELY ANCHORED TOP AND BOTTOM TO INSURE POSITIVE ATTACHMENT OF ALUMINUM RETAINERS. IF TRUSS STUDS ARE USED, CHANNEL STUDS MUST BE USED AT CORNER.



FS-20N ACROVYN 4000

| WALL CONDITION | SPECIFIED FASTENER | DRILL DIAMETERS | | CS PART NUMBER |
|---|----------------------------|-----------------|----------|----------------|
| | | WALL | RETAINER | |
| STEEL STUD/GYPSUM WALL WOOD STUD/GYPSUM WALL | #6 X 1 5/8" BUGLE HEAD SMS | N/A | N/A | 90H079002 |

| | | |
|---|------------------|------------------|
|  <p>Hughesville, PA 800.233.8493 570.546.5941 Mississauga, ON 888.895.8955 905.274.3611 www.c-sgroup.com</p> <p>© Copyright 2016 Construction Specialties, Inc.</p> | PROJECT: | REVISION: |
| | JOB NO.: | F&F: |
| | CUSTOMER: | |
| | REP: | DATE: |
| | DRAWN BY: | SHEET NO: |