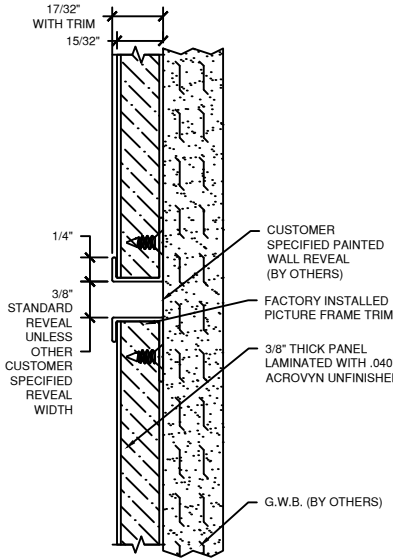


WALL PANEL FABRICATION SCHEDULE

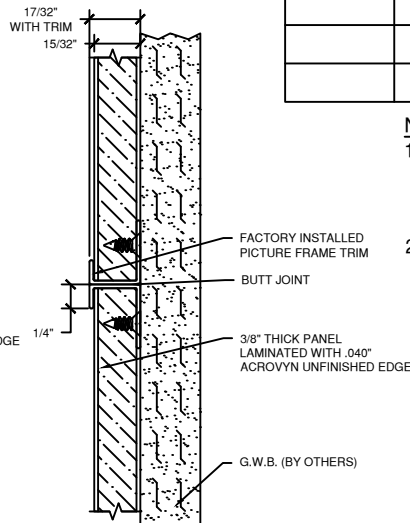
PANEL COLOR	PANEL SIZE (V X H)	REVEAL TYPE (A-C)	REVEAL WIDTH (IF APPLICABLE)	REVEAL COLOR <sup>1</sup>

NOTES:

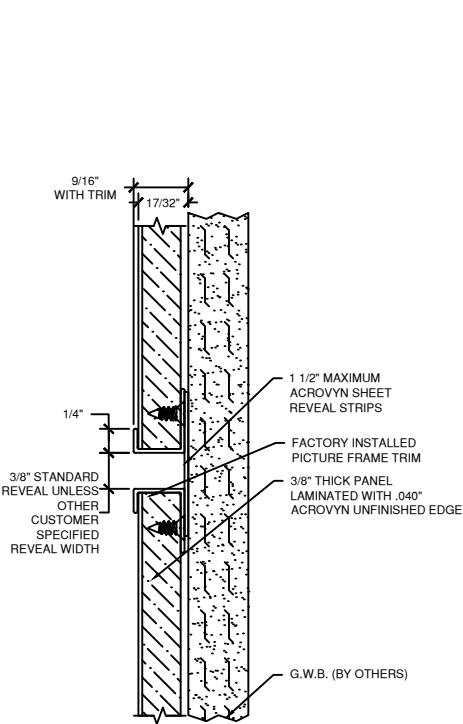
1. SHEET REVEAL COLOR IS TO BE ONE OF CS STANDARD ACROVYN COLORS. PAINTED WALL REVEALS ARE TO BE DONE BY OTHERS.
2. PANELS THAT ARE ORDERED WITH TRIMS WILL COME STANDARD WITH TRIMS INSTALLED ON ALL (4) SIDES. IF TRIMS ARE DESIRED ON LESS THAN (4) SIDES, THE PANELS WILL REQUIRE CUSTOM PRICING.



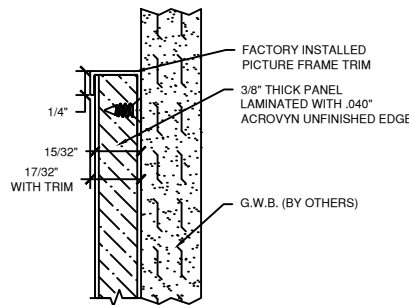
(A) PAINTED WALL REVEAL CONDITION



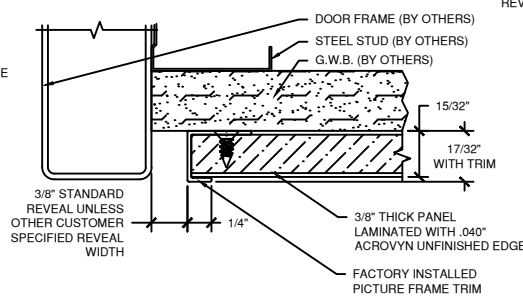
(B) BUTTED PANEL CONDITION



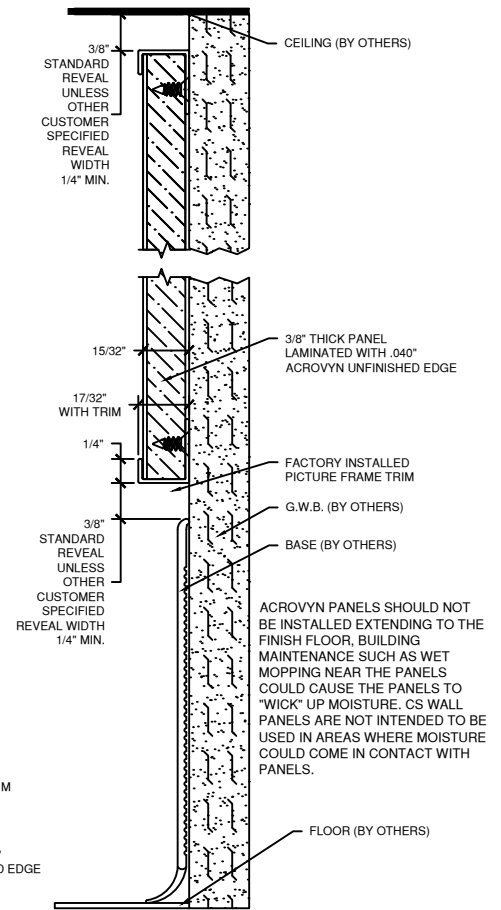
(C) ACROVYN SHEET REVEAL STRIP CONDITION



WAINSCOT CONDITION



END WALL CONDITION



BASE AND CEILING CONDITION

ACROVYN PANELS SHOULD NOT BE INSTALLED EXTENDING TO THE FINISH FLOOR, BUILDING MAINTENANCE SUCH AS WET MOPPING NEAR THE PANELS COULD CAUSE THE PANELS TO "WICK" UP MOISTURE. CS WALL PANELS ARE NOT INTENDED TO BE USED IN AREAS WHERE MOISTURE COULD COME IN CONTACT WITH PANELS.

# CS ACROVYN® WALL PANEL

PERMANENT ADHESIVE WITH PICTURE FRAME TRIM FINISH DETAILS

<b>PROJECT:</b>	<b>REVISION:</b>
<b>JOB NO.:</b>	<b>F&amp;F:</b>
<b>CUSTOMER:</b>	<b>DATE:</b>
<b>REP:</b>	<b>SHEET NO:</b>
<b>DRAWN BY:</b>	



Hughesville, PA | 800.233.8493 | 570.546.5941  
 Mississauga, ON | 888.895.8955 | 905.274.3611  
[www.c-sgroup.com](http://www.c-sgroup.com)

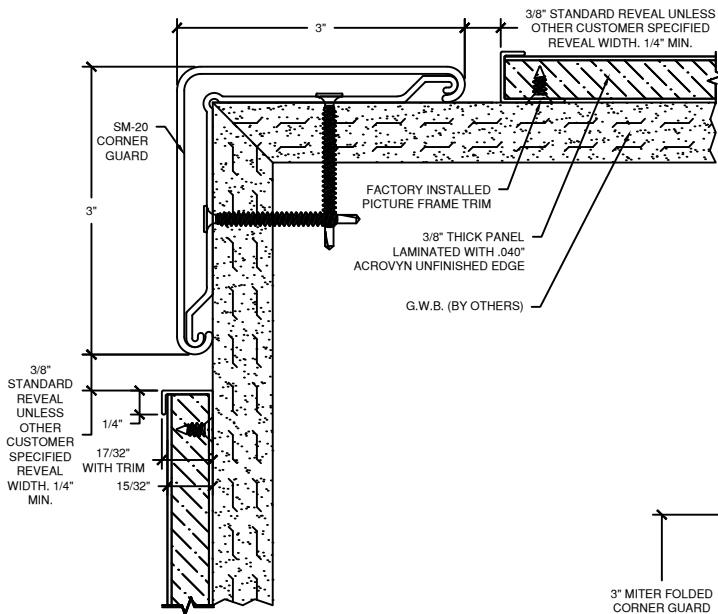
© Copyright 2017 Construction Specialties, Inc.

WALL PANEL FABRICATION SCHEDULE CORNER OPTIONS

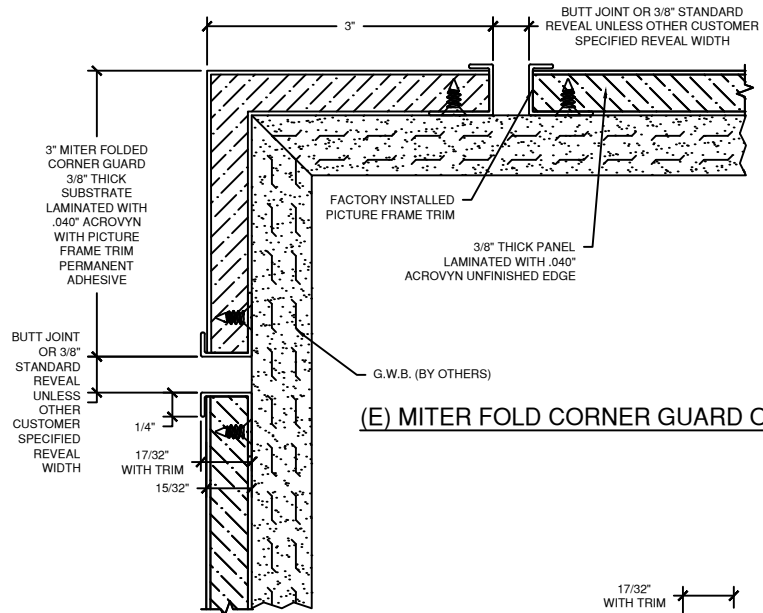
QTY	OUTSIDE CORNER OPTION (D/E)	MITER FOLD OUTSIDE CORNER SIZE <sup>2</sup>	INSIDE CORNER OPTION (F/G)	REVEAL WIDTH (IF APPLICABLE)

NOTES:

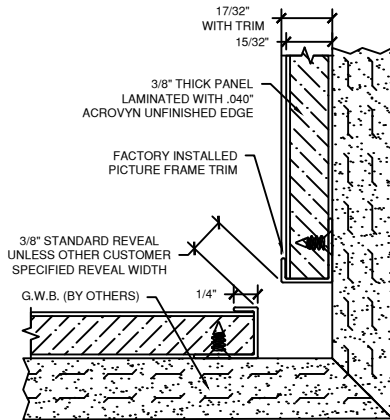
- PLEASE SELECT WHICH INSIDE AND/OR OUTSIDE CORNER CONDITION IS WANTED.
- MITER FOLD OUTSIDE CORNER SIZE IS TO INCLUDE LEG WIDTHS AND OVERALL HEIGHT.
- MITER FOLD CORNER GUARDS HAVE A MAXIMUM HEIGHT OF 118".



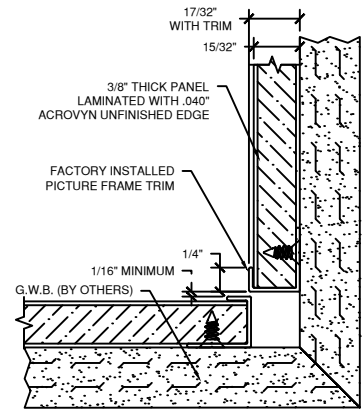
(D) SM-20 OUTSIDE CORNER OPTION



(E) MITER FOLD CORNER GUARD OPTION



(F) INSIDE CORNER WITH REVEAL OPTION



(G) BUTTED INSIDE CORNER OPTION

# CS ACROVYN® WALL PANEL

PERMANENT ADHESIVE WITH PICTURE FRAME TRIM FINISH DETAILS

<b>PROJECT:</b>	<b>REVISION:</b>
<b>JOB NO.:</b>	<b>F&amp;F:</b>
<b>CUSTOMER:</b>	
<b>REP:</b>	<b>DATE:</b>
<b>DRAWN BY:</b>	<b>SHEET NO:</b>



Hughesville, PA | 800.233.8493 | 570.546.5941  
 Mississauga, ON | 888.895.8955 | 905.274.3611  
[www.c-sgroup.com](http://www.c-sgroup.com)

© Copyright 2017 Construction Specialties, Inc.