



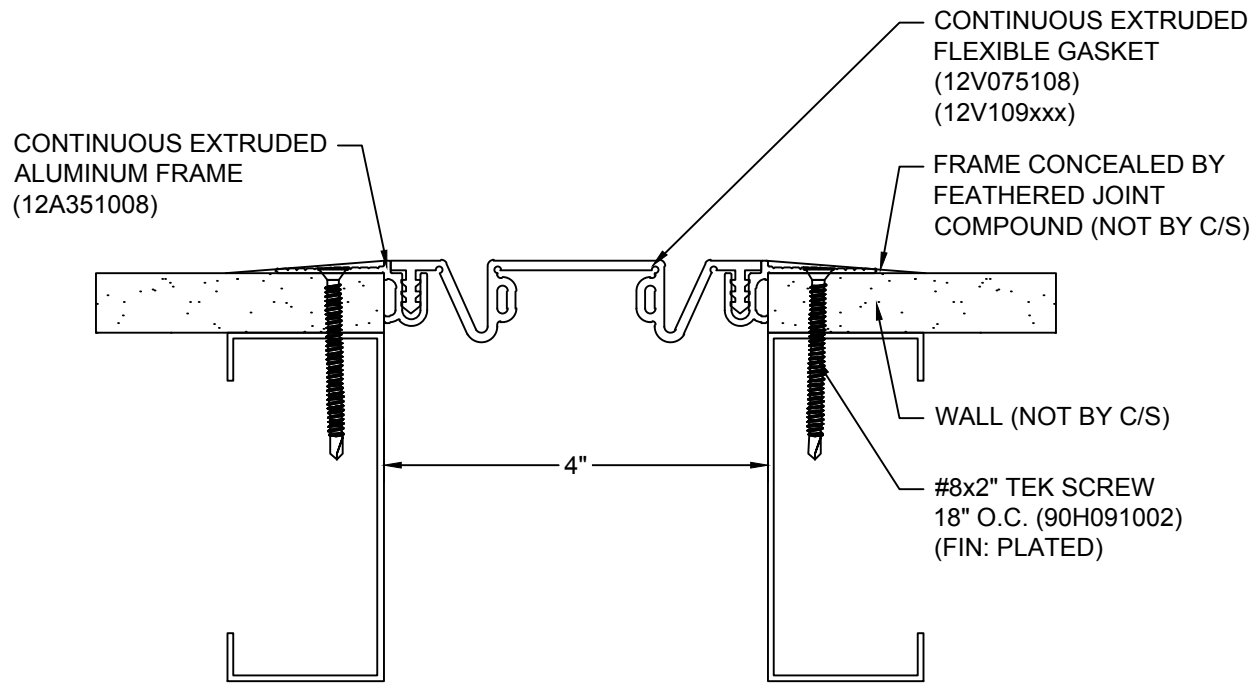


108 BLACK 	232 WHITE 	AVAILABLE COLORS: *** CUSTOM COLORS ARE AVAILABLE AT AN ADDITIONAL CHARGE, SUBJECT TO MINIMUM QUANTITIES. ***	270 GREIGE 	136 GRAY 
---	---	---	--	--



Model: **FWF-400**

 Construction Specialties www.c-sgroup.com		
		6696 Route 405 Highway, Muncy, PA 17756 Phone: (800) 233-8493 / Fax: (570) 546-8022
		895 Lakefront Promenade, Mississauga, Ontario L5E 2C2 Canada Phone: (888) 895-8955 / Fax: (905) 274-6241

DISCLAIMER:

This document is the property of Construction Specialties, Inc. and contains confidential proprietary information that is not to be disclosed to third parties and is not to be used without approval in writing from Construction Specialties, Inc.

PROJECT:	SCALE: 1:2
CUSTOMER:	DATE:
LOCATION:	JOB NO.:
DRAWN BY:	SHEET NO.: