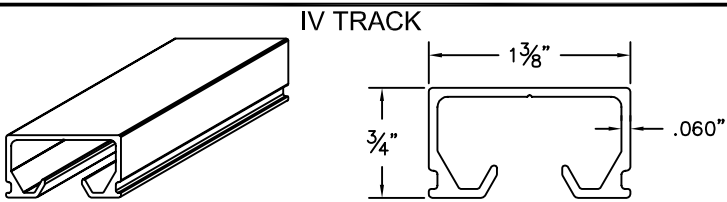
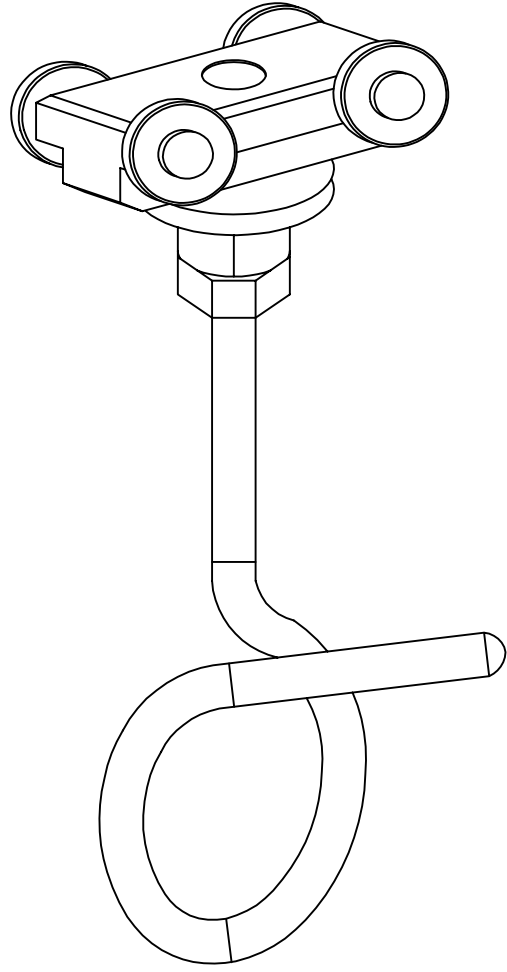
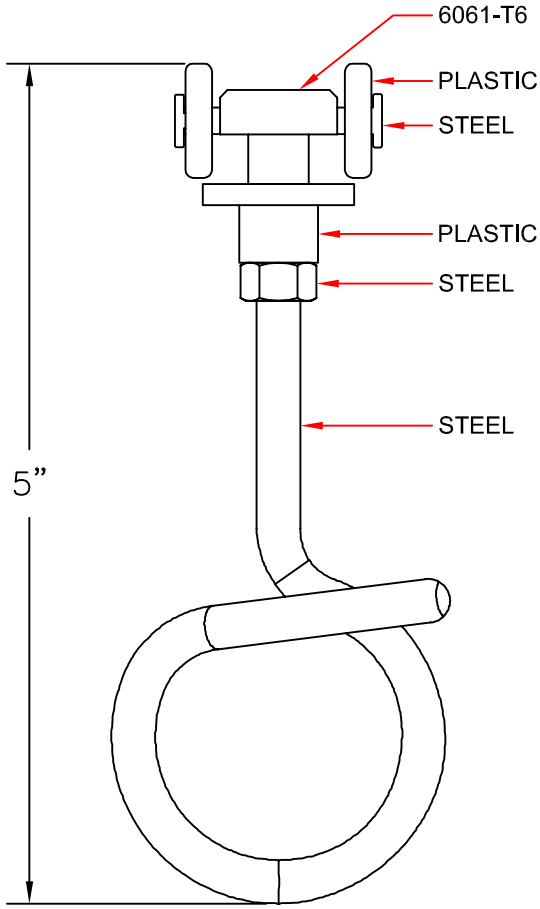


IV CARRIER



DRAWING BY: CDL

DATE: 10/5/2016

