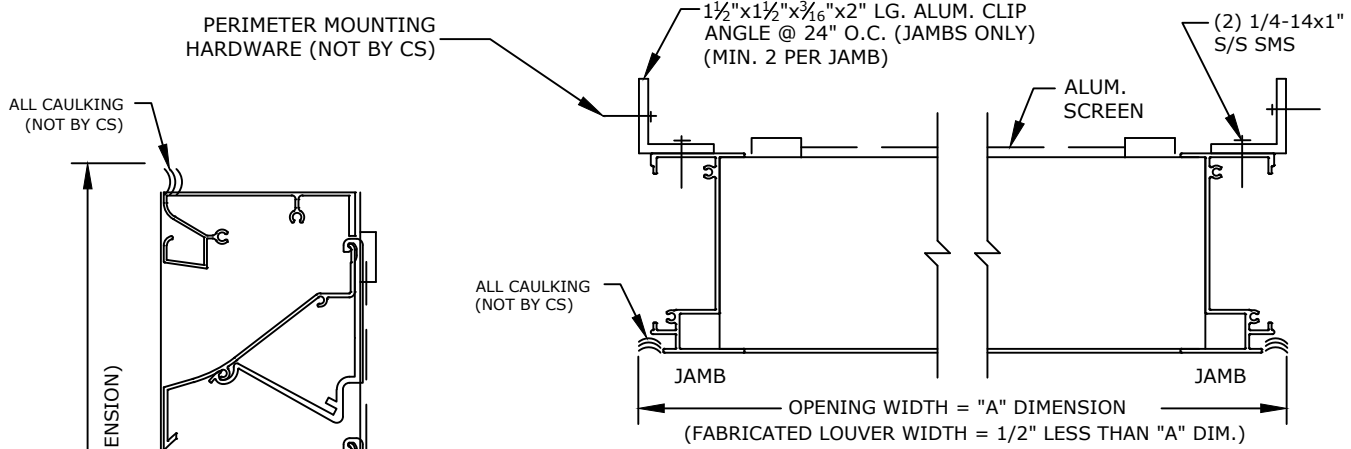


HIGH PERFORMANCE ARCHITECTURAL LINE LOUVER MODEL A4085

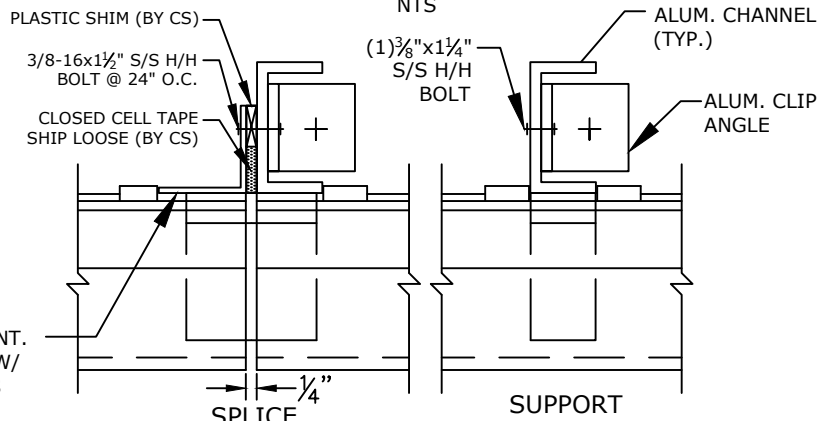


ALL CAULKING (NOT BY CS)

ALL CAULKING (NOT BY CS)

OPENING WIDTH = "A" DIMENSION
(FABRICATED LOUVER WIDTH = 1/2" LESS THAN "A" DIM.)

PLAN VIEW



(REQ'D. WHEN BOTH "A" & "B" DIMS. EXCEED 7'-6")

SCREENS

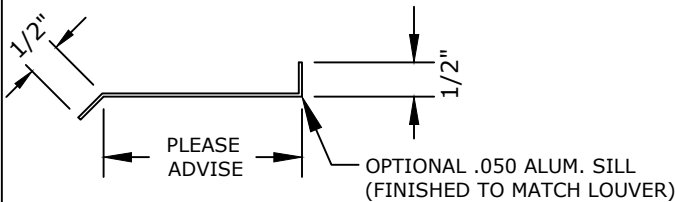
- SCREEN NOT REQUIRED
- SCREEN REQUIRED
- INTERIOR MOUNTED
- EXTERIOR MOUNTED
- BIRDSCREEN: 1/2" MESH .063 DIA. ALUM. WIRE (MILL FINISH)
- INSECT SCREEN: 18x16 ALUM. MESH (MILL FINISH)

FINISHES

- STANDARD MILL
- FLUOROPOLYMER POWDER COAT (NOT AVAILABLE IN 600XL OR 700)
- KYNAR (500),(600XL)or(700)
- (1) OF CS STD. COLORS
- CUSTOM COLOR, CS REQUIRES A COLOR CHIP FOR MATCHING
- BRONZE ANODIC (DARK OR MED.)
- CLEAR ANODIZE
- OTHER _____

CS EXTRUDED ALUMINUM FIXED HIGH PERFORMANCE ARCH. LINE LOUVER MODEL A4085, FRAMES AND BLADES TO BE FABRICATED FROM 6063-T6 ALLOY, WITH REINFORCING BOSSES. ALL FASTENERS TO BE STAINLESS STEEL.

UNSUPPORTED BLADE LENGTH = @ PSF.



VERTICAL SECTION

NTS

MARK	QTY.	"A" DIM.	"B" DIM.	NUMBER OF SPLICES	NUMBER OF SUPPORTS	LOUVER LOCATION	REMARKS

Construction Specialties, Inc.
3 Werner Way
Lebanon, New Jersey 08833
(800) 233-8493

PROJECT:	DRAWN BY:
CUSTOMER:	DATE:
ARCH'T:	DWG. NO:
AGENT:	SHEET OF