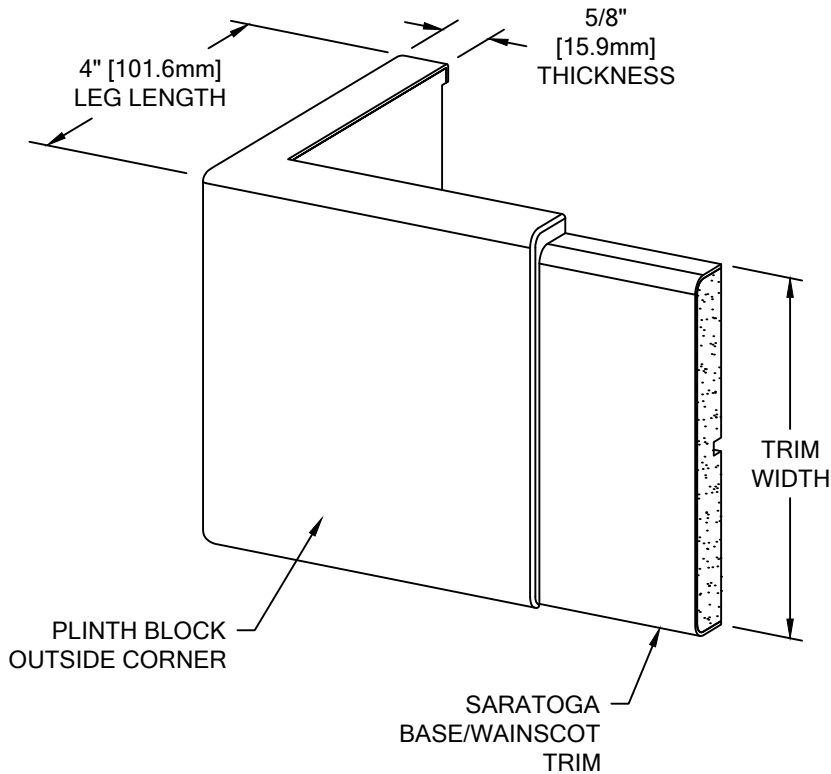


COLOR:
PLINTH BLOCK: _____
 COLOR TO BE SELECTED FROM ONE OF CS STANDARD COLORS.

| UNITS REQ'D | TRIM WIDTH | ANGLE |
|-------------|----------------|-------|
| | 2", 4", 6", 8" | |
| | | |
| | | |
| | | |

NOTES:


1. AVAILABLE FOR 1/2" THICK x (2", 4", 6", OR 8") WIDE SARATOGA BASE AND/OR WAINSCOT TRIM.
2. SUPPLIED IN 90° ANGLES UNLESS OTHERWISE SPECIFIED. AVAILABLE IN 70° TO 140° ANGLES.



SARATOGA PLINTH BLOCK

ACROVYN 4000

| WALL CONDITION | SPECIFIED FASTENER | QUANTITY | CS PART NUMBER |
|-------------------------------------------------------------------------|------------------------------------------------------|------------|----------------|
| STEEL STUD/GYPSUM WALL CONCRETE/CONC. BLOCK WOOD STUD/GYPSUM WALL | M1 STRUCTURAL ADHESIVE (85 L/F COVERAGE PER TUBE) | 28 FL. OZ. | 90M135001 |

| | | |
|-----------------------------------------------------------------------------------------------------------------------------------------------------------------------------------------------------------------------------------------------------------------------------------------------------------------------|------------------|------------------|
|  <p>Hughesville, PA 800.233.8493 570.546.5941 Mississauga, ON 888.895.8955 905.274.3611 www.c-sgroup.com</p> <p>© Copyright 2018 Construction Specialties, Inc.</p> | PROJECT: | REVISION: |
| | JOB NO.: | F&F: |
| | CUSTOMER: | |
| | REP: | DATE: |
| | DRAWN BY: | SHEET NO: |