

STYX®



STYX evokes nature's elegance while remaining architecturally durable. Independently fastened metal extrusions go where you want them. Add dimension, continuity and a sense of visual movement. Using our Quick Lock™ system, installation is fast and seamless.

Advantages

- Create your own look with standard parts and pieces
- Lightweight aluminum components
- Easily install via Quick Lock™ attachment system
- Optional front or back lighting
- Pre-made 90 degree or curved corners
- Indoor / outdoor transition capabilities
- 10-year Finish Warranty

Building Segments

- Healthcare
- Retail & Hospitality
- Transportation
- Education
- Civic & Culture
- Corporate & Commercial
- Mixed Use
- Sports & Convention Centers

Applications

- Walls & Ceilings
- Reception Areas
- Feature Spaces
- Common Areas
- Lobbies
- Vestibules



View 3D Model →



Product Details

- Extruded Aluminum 6063 – thickness 0.060" (typ.)
- 2 3/16" x 2", 4", 6" profiles
- 10' stock lengths

Standard Finish Options

- AAMA 2604 Powder Coat
- Primed for field painting



Solid Colors



Wood Grains

Performance & Certifications

- Class A/1 fire rated per ASTM E84 & CAN/ULC S102.2
- Low VOC Emissions Certificate – Intertek Clean Air Gold (CDPH 01350 v1.2)
- Certified UL 2108 & CSA C22.2 Low Voltage Luminaires (Class 2)



Seismic Restraint

STYX has been engineered to remain securely in place during vibrations and seismic events. When installed in accordance with Construction Specialties' guidelines, STYX is approved for use in seismic zones A, B, C, D, E and F, per ASCE 7 Chapter 13

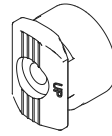
Cleaning and Disinfecting

Using a soft clean cloth, and a mild detergent in warm water, clean STYX to remove dust, salt or other deposits.

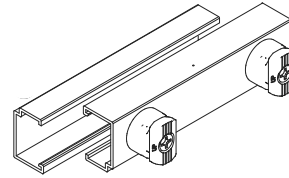
Warranty

- 2-year Material Warranty
- 10-year Finish Warranty

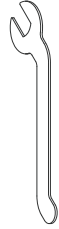
Installation Components



Quick Lock Connector

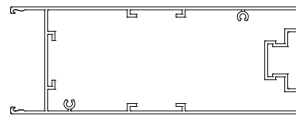


Installation Rail

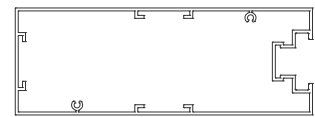


Quick Lock Wrench

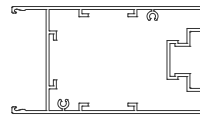
Models



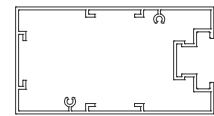
6" Front Light Profile



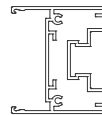
6" Standard Profile



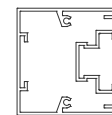
4" Front Light Profile



4" Standard Profile



2" Front Light Profile



2" Standard Profile



Light Diffuser



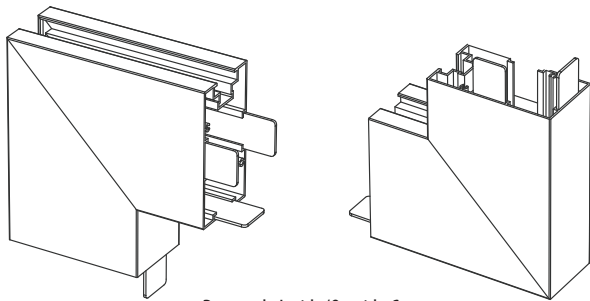
Aluminum Snap Cover



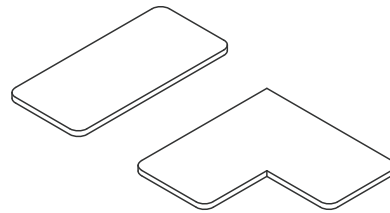
Learn More →



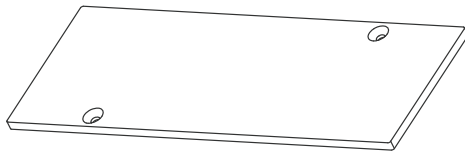
Additional Components



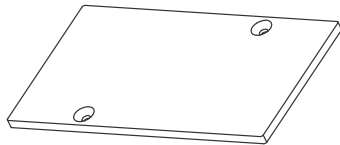
Pre-made Inside/Outside Corners



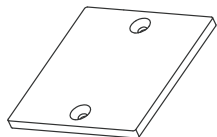
Splice Plates



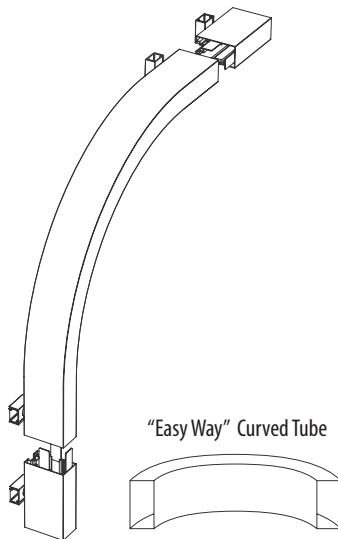
6" End Cap



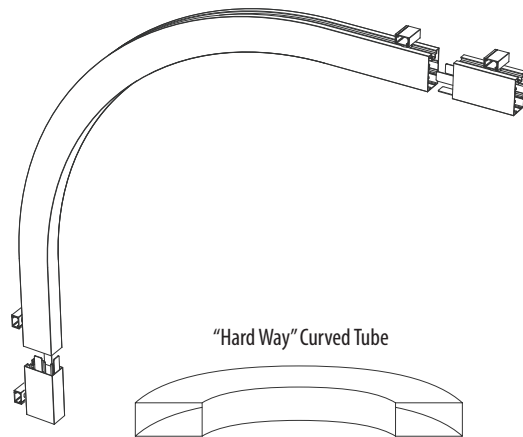
4" End Cap



2 3/16" End Cap



"Easy Way" Curved Tube



"Hard Way" Curved Tube

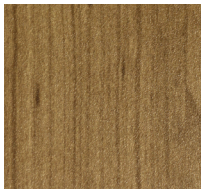


Powder Coat Finishes

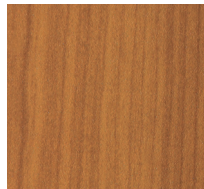
WOOD GRAINS



002 Hard Maple



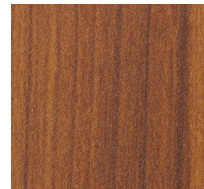
022 Vanilla Ash



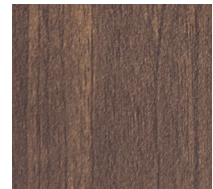
003 Douglas Fir



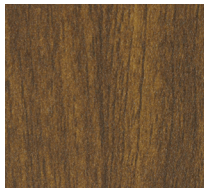
017 American Oak



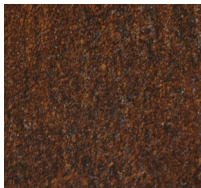
009 Black Cherry



010 Light Walnut



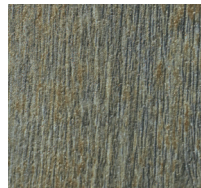
011 Warm Walnut



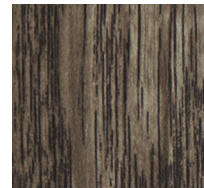
021 Oxidized Bronze



020 Scrubbed Walnut

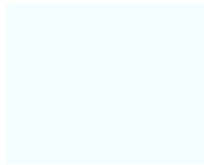


023 Driftwood

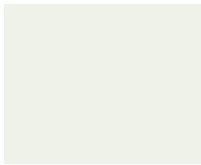


016 Barnwood

SOLID COLORS



4519 Winter White



4520 Dawn



4891 Cameo



4892 Dolomite



4008 Basalt



4007 Dusk



4386 Midnight



4757 Deep Sea



4636 Nougat



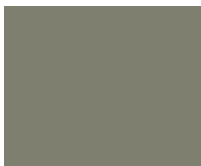
4009 Mangosteen



4893 Hazelnut



4500 Cacao



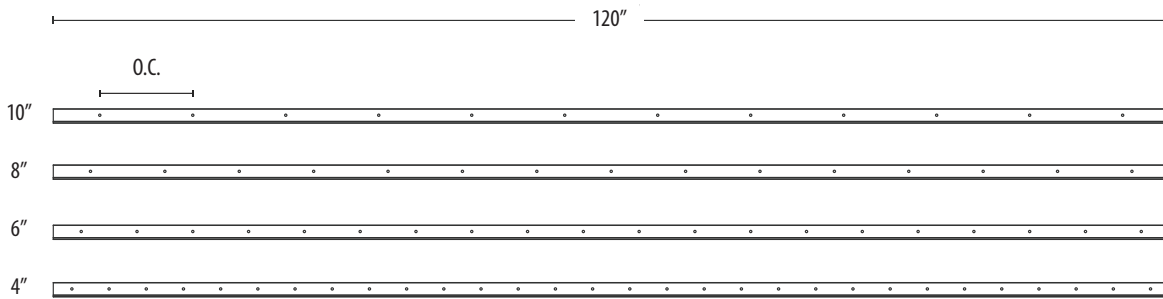
4078 Herbaceous

Powder coat finishes meet AAMA 2604 specifications and come with a 10-year finish warranty. Colors shown are as accurate as color printing processes permit. Final color selection should be from actual finished color chips.

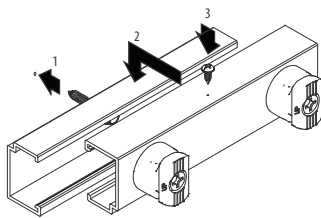
STYX®

Installation, wall

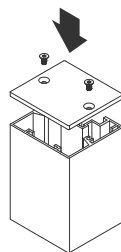
Installation Rail – On-center Spacing



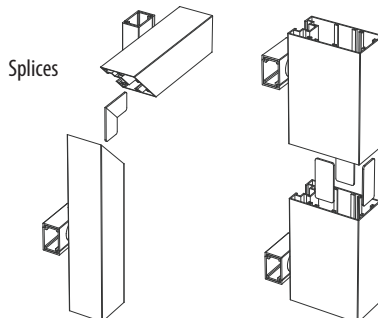
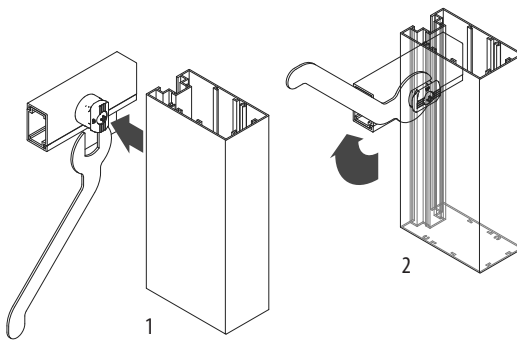
Note: Distance from end of Install Rail to first Quick Lock Connector is half the On-center (O. C.) Spacing distance.



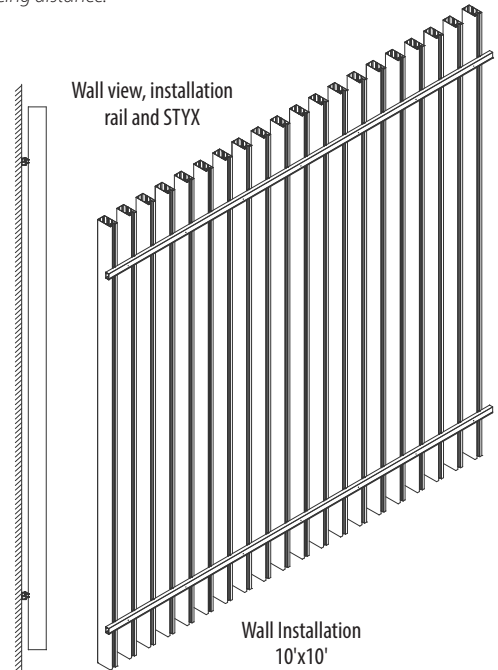
Installation Rail



STYX End Cap

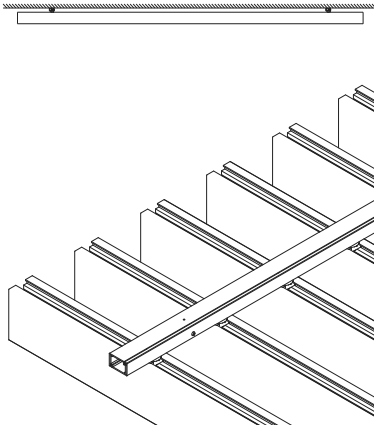


Splices

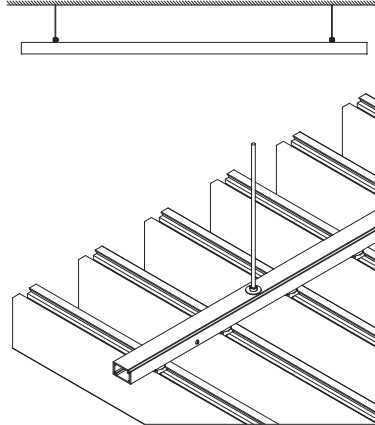




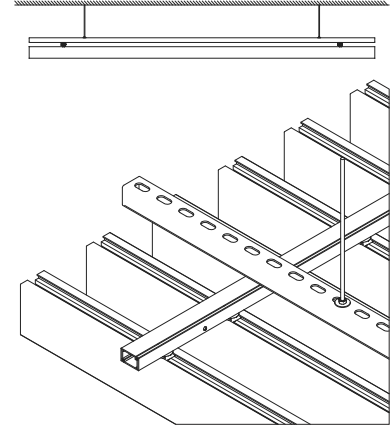
Installation, ceiling



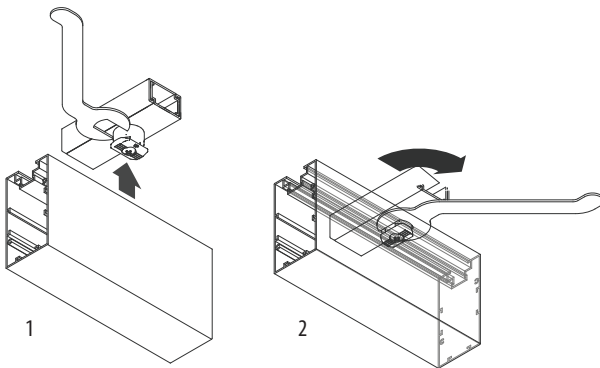
Finished Ceiling



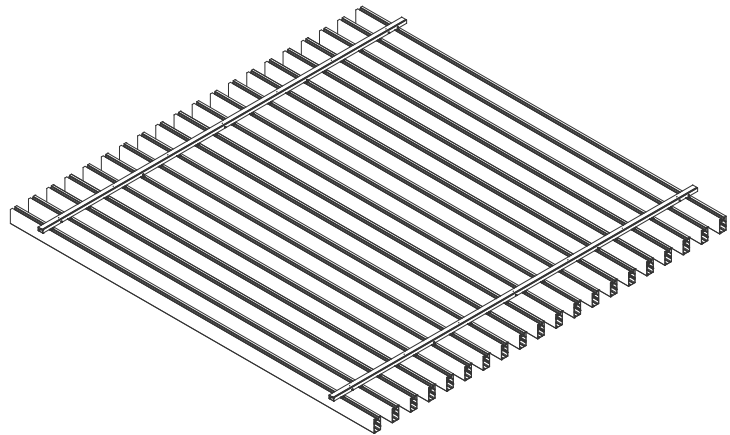
Threaded Rod to Rail



Rail to Unistrut



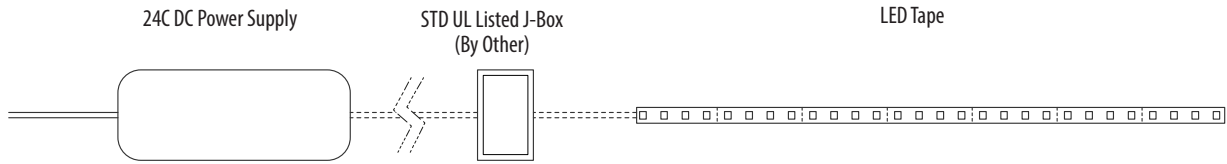
Quick Lock ceiling installation



STYX ceiling mounted



Installation, LED lighting



Primary Wiring Input
(14 awg, by other)

Wiring to Luminaire must meet Class 2 Standards
(See NEC and Local Code Requirements)

Aluminum Snap Cover

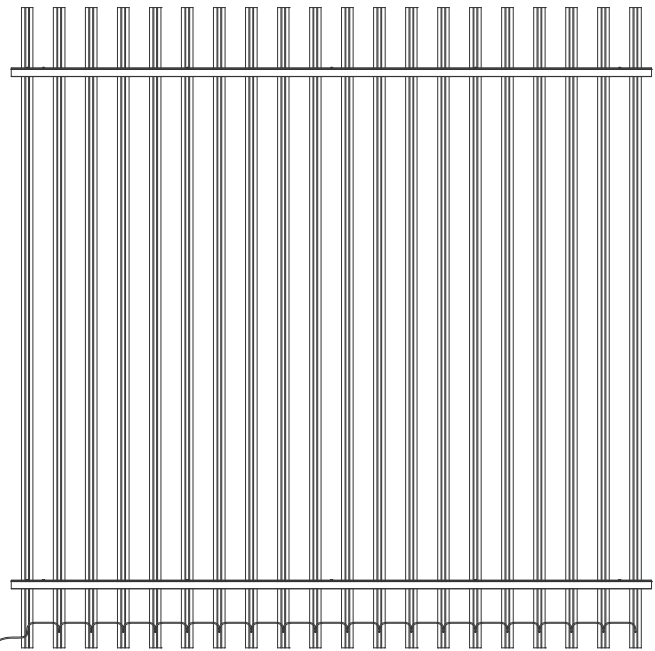
Light Diffuser

Front LED

Backlit LED

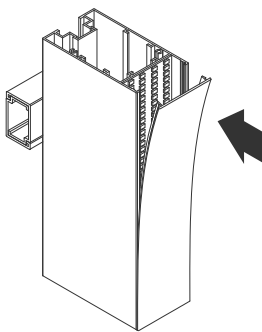
Front LED installed

Backlit LED installed

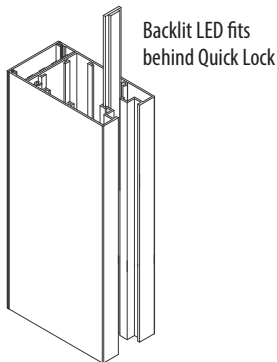


Lead wire to the next extrusion + LED Tape (by other)

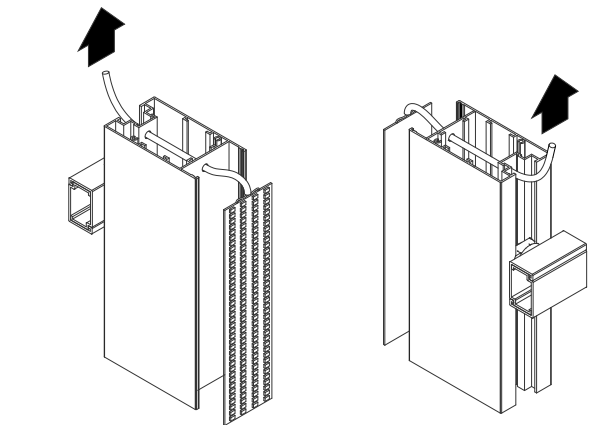
Lead wire from power supply
(by other) run wire behind dry wall



Light diffuser



Backlit LED fits
behind Quick Lock



Lead wire access
(front and back views)



Model Details

MODEL	PART #	WEIGHT	STOCK SIZE
Installation Rail	A01-10-157	0.35 LBS/LF	120"
Aluminum Snap Cover	A01-10-164	0.18 LBS/LF	120"
2" Front Light Profile	A07-20-720	0.89 LBS/LF	2" x 2" x 120"
2" Standard Profile	A07-20-721	0.87 LBS/LF	2" x 2" x 120"
4" Standard Profile	A07-20-717	1.19 LBS/LF	2" x 4" x 120"
4" Front Light Profile	A07-20-716	1.20 LBS/LF	2" x 4" x 120"
6" Front Light Profile	A07-20-718	1.49 LBS/LF	2" x 6" x 120"
6" Standard Profile	A07-20-719	1.49 LBS/LF	2" x 6" x 120"

MODEL TYPE	DESCRIPTION	PART #	SHAPE DIRECTION
Miter Corner	2" x 2" - Light Profile	91-08-010	Inside
Miter Corner	2" x 2" - Light Profile	91-06-010	Outside
Miter Corner	2" x 2" - Light Profile	91-03-010	Left / Right
Miter Corner	2" x 4" - Light Profile	91-08-020	Inside
Miter Corner	2" x 4" - Light Profile	91-05-020	Outside
Miter Corner	2" x 4" - Light Profile	91-03-020	Left / Right
Miter Corner	2" x 6" - Light Profile	91-08-030	Inside
Miter Corner	2" x 6" - Light Profile	91-06-030	Outside
Miter Corner	2" x 6" - Light Profile	91-03-303	Left / Right
Miter Corner	2" x 2" - Standard Profile	91-07-010	Inside
Miter Corner	2" x 2" - Standard Profile	91-05-010	Outside
Miter Corner	2" x 2" - Standard Profile	91-04-010	Left / Right
Miter Corner	2" x 4" - Standard Profile	91-07-020	Inside
Miter Corner	2" x 4" - Standard Profile	91-06-020	Outside
Miter Corner	2" x 4" - Standard Profile	91-04-020	Left / Right
Miter Corner	2" x 6" - Standard Profile	91-07-030	Inside
Miter Corner	2" x 6" - Standard Profile	91-06-030	Outside
Miter Corner	2" x 6" - Standard Profile	91-04-030	Left / Right
Curved	2" x 2" - Standard Profile	92-07-010	Hard Way Inside
Curved	2" x 4" - Standard Profile	92-07-020	Hard Way Inside
Curved	2" x 2" - Standard Profile	92-05-010	Hard Way Outside
Curved	2" x 4" - Standard Profile	92-05-020	Hard Way Outside
Curved	2" x 2" - Standard Profile	92-04-010	Easy Way Left / Right
Curved	2" x 4" - Standard Profile	92-04-020	Easy Way Left / Right

MODEL TYPE	DESCRIPTION	PART #	DIRECTION
Splice Plates	2 1/2" x 1" - Line Up Plate	08-01-380	Straight
Splice Plates	2 1/2" x 2 1/2" - Miter Plate	08-01-381	Corner
Splice Plates	Butt Joint Plate	08-01-382	Butt Joint
End Cap	2" x 2" Light and Standard		
End Cap	2" x 4" Light Profile		
End Cap	2" x 4" Standard Profile		
End Cap	2" x 6" Light Profile		
End Cap	2" x 6" Standard Profile		
Quick Lock (QL)	Installation Hardware	QL17-09-105	
Installation Rail	#6-20 x 3/8" Self-Drilling Screw	QL17-09-100	
End Cap Screws	#6 x 1/2" Flat Head Stainless Steel Screw	17-04-122	
QL Wrench	Wrench for Quick Lock	QL17-09-103	
Splice Epoxy Kit	Caulking Gun Kit	17-05-680	
Splice Epoxy Kit	Mixing Nozzle	17-05-681	
Splice Epoxy Kit	Epoxy Tube	QL17-09-104	

LIGHTING QTL PARTS LIST

MODEL TYPE	DESCRIPTION	PART #	MOUNT
Front LED Strip	Quad Row, 24v/3w, Static White - 50'	QL17-09-200	
Front LED Strip	Quad Row, 24v/3w, Static White - 100'	QL17-09-201	
Front LED Strip	Quad Row, 24v/6w, Static White - 50'	QL17-09-202	
Front LED Strip	Quad Row, 24v/6w, Static White - 100'	QL17-09-203	
Back LED Strip	Standard, 24v/6w, Static White - 50'	QL17-09-300	
Back LED Strip	Standard, 24v/6w, Static White - 100'	QL17-09-301	
Front LED Lens	Diffused Lens - 100'	17-05-668	
Power Supply	24v DC LED Power Supply / 192 Watt	QL17-09-400	Surface Mount
Power Supply	24v DC LED Power Supply / 288 Watt	QL17-09-401	Surface Mount
Power Supply	24v DC LED Power Supply / 200 Watt	QL17-09-402	Surface or Recessed
Power Supply	24v DC LED Power Supply / 300 Watt	QL17-09-403	Surface or Recessed