

KBC & KBCW 700-800

TECHNICAL DATA:

Aluminum

- Extrusion – CS uses multiple alloys & tempers which are established to be the most appropriate for the given use of individual parts. Will be one of the following: (6063-T5, T6, T52) (6061-T5, T6, T51) (6105-T5, T6) (6005-T5) (6005A-T5, T61), ASTM B221

Vapor Barrier

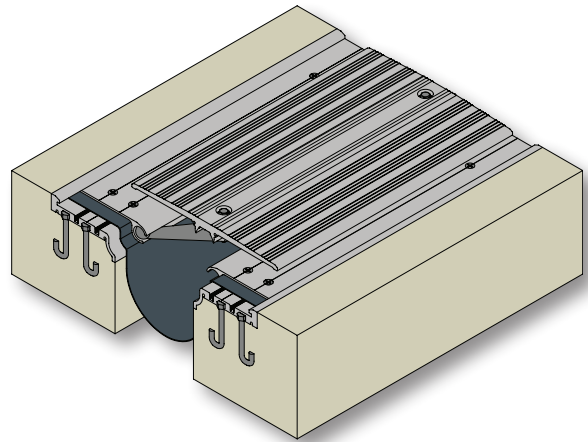
- Material: 7-Ply Polyethylene, ASTM-E-1745-11
- Color: Black
- 3" Tensile Strength: 275 lbs., ASTM-D-882
- Puncture Strength: 79 lbs., ASTM-D-4833
- PPT Resistance: 62 lbs., ASTM-D-2582

Turnbar

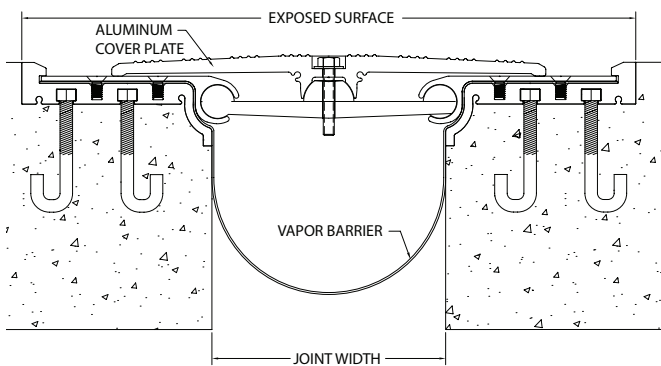
- Cast Aluminum – SR-319-F

Standard Loading

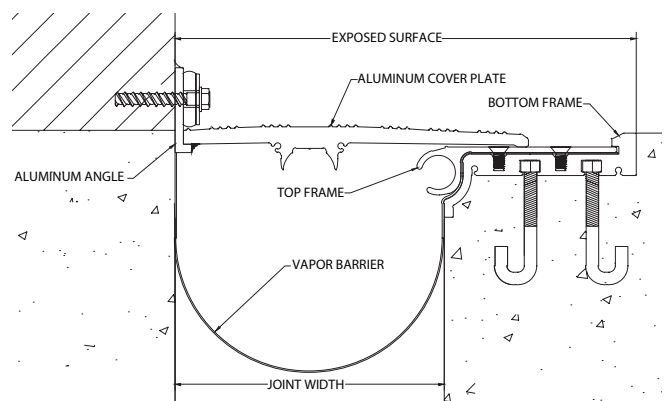
- Vehicular loading (3,000 lb. point load per IBC 2009)
- Models for increased loading (HS-20, etc.) available please consult factory



MODEL	JOINT WIDTH	MINIMUM OPENING	MAXIMUM OPENING	EXPOSED SURFACE	BLOCKOUT WIDTH	BLOCKOUT HEIGHT
KBC-700	7.00" (178mm)	3.25" (83mm)	12.50" (318mm)	18.38" (467mm)	N/A	N/A
KBC-800	8.00" (203mm)	3.25" (83mm)	12.50" (318mm)	19.38" (492mm)	N/A	N/A
KBCW-700	7.00" (178mm)	5.56" (141mm)	10.25" (260mm)	12.69" (322mm)	N/A	N/A
KBCW-800	8.00" (203mm)	5.56" (141mm)	10.25" (260mm)	13.69" (348mm)	N/A	N/A



KBC



KBCW