

## Insulated Core Exterior Roof Vent



Model XRV-IC

This roof mounted explosion relief vent is ideal for buildings that do not have sufficient wall venting areas, or where the use of wall vents is prohibited. For large venting area requirements, tandem and cluster units are available. The aluminum insulated lid provides an R-value of 9-16 to reduce heat loss and energy costs.

### Advantages

- Releases within 12-18 milliseconds of detecting a pressure shock
- Restraint tether prevents the unit from becoming a dangerous projectile
- Tandem and cluster units available for large venting area requirements
- Includes Factory Mutual approved explosion relief fasteners
- Aluminum insulated cover reduces heat loss and energy costs

### Applications

- Facilities handling hazardous materials that require adequate safeguards against explosions
- When the use of wall vents is prohibited due to insufficient wall area or they would be too close to other structures.
- Internal rooms

# Insulated Core Exterior Roof Vent

## Product Details

- Sizes range from 4' x 4' (1.22m x 1.22m) up to 4' x 8' (1.22m x 2.44m)
- 18" clearance between openings is recommended to allow roofer to properly flash vent curbs into roofing system. Contact CS if closer spacing is required
- Standard release setting is 20-30 lb/ft<sup>2</sup>

## Certifications/Testing

- Meets NFPA 68 Guide for Venting of Deflagrations and major building and fire code requirements

## Standard Finish



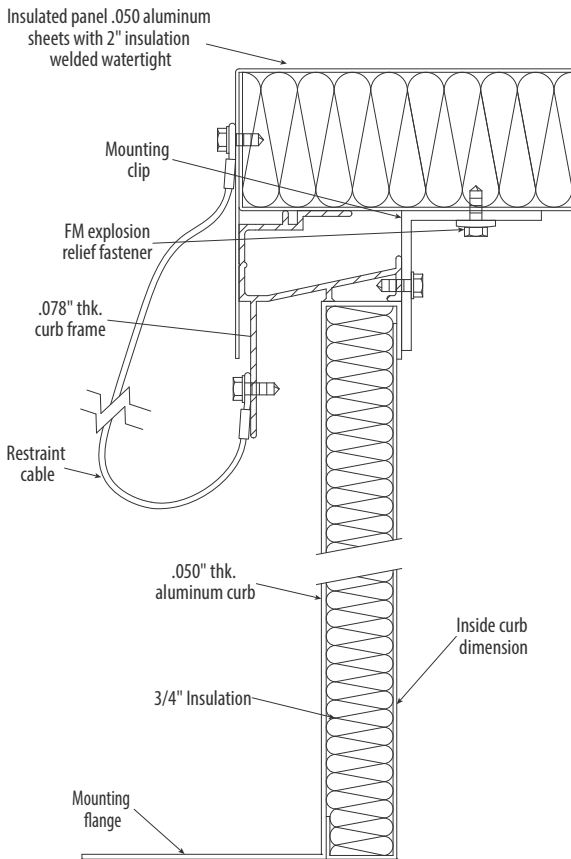
## Optional Finish



See all finish options online at [c-sgroup.com](http://c-sgroup.com).

## Warranty

- Standard Limited Warranty



Learn More →