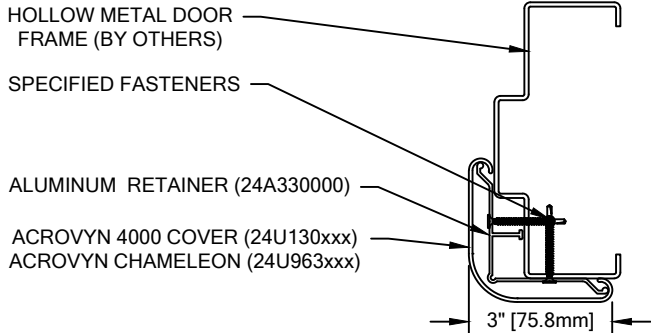
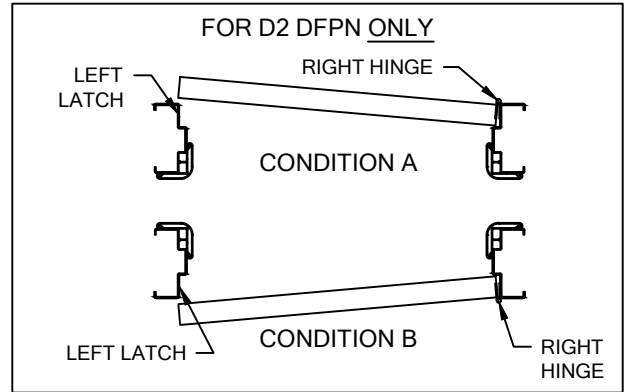


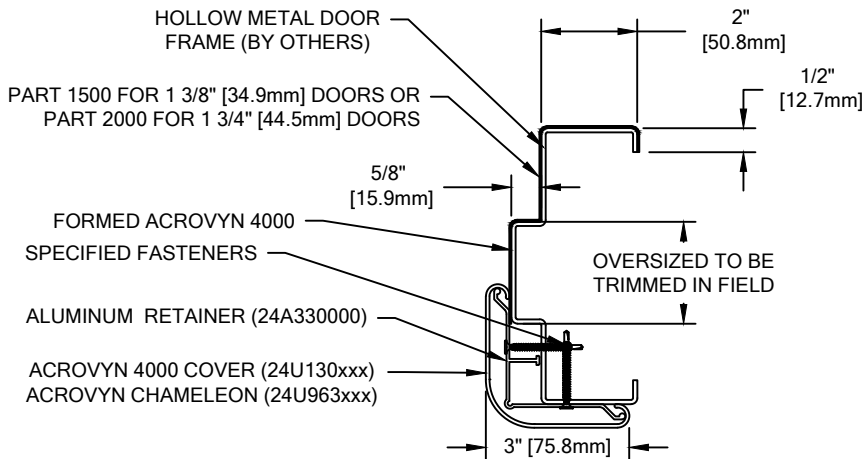
COLOR:
DOOR FRAME PROTECTOR: _____
 COLOR TO BE SELECTED FROM ONE OF CS STANDARD COLORS.

PROFILE (D1 OR D2)	D2 PART #	UNITS REQ'D	UNIT HEIGHT	QTY LEFT LATCH	QTY RIGHT HINGE
	1500 OR 2000				
OPTIONAL HEAT STAMP D2 DOOR FRAME PROTECTOR (YES / NO)					
SELECT HINGE SIDE PER CONDITION BELOW: "A" OR "B"					

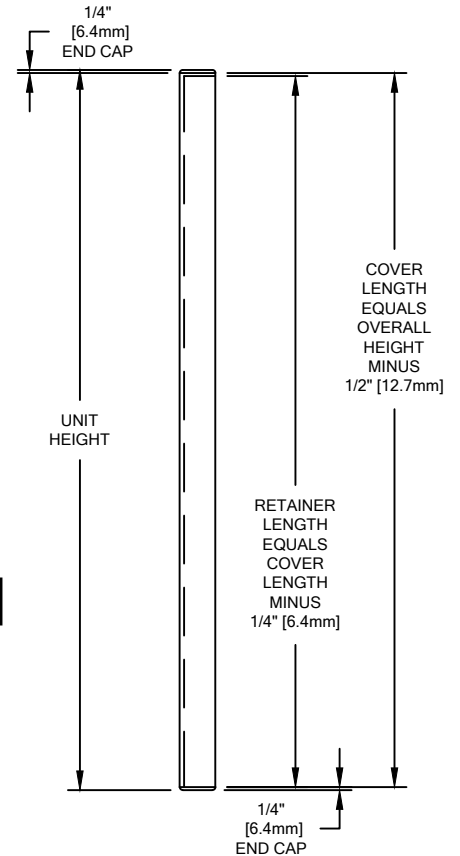
- NOTES:**
- ACROVYN DOOR FRAME PROTECTORS MAY GAP AWAY FROM FRAME 1/32" TO 1/16" AND HAVE A TOLERANCE OF +1/16" / -0".
 - PLEASE ADVISE ON RIGHT IF OPTIONAL FIRE RATING HEAT STAMP IS REQUIRED FOR D2 DOOR FRAME PROTECTOR LOCATED ON FACE OF DOOR FRAME PROTECTOR.
 - THE TERMS "LEFT LATCH" AND "RIGHT HINGE" ARE USED TO EXPLAIN ORIENTATION AND DETERMINE SIDE OF DOOR FRAME REQUIRED. **EXAMPLE:** DOOR LATCH SHOULD BE ON LEFT HAND SIDE, DOOR HINGE SHOULD BE ON RIGHT HAND SIDE. PLEASE ADVISE AT RIGHT.



D1 DOOR FRAME PROTECTOR




D2 DOOR FRAME PROTECTOR



D SERIES DFPN ACROVYN 4000

WALL CONDITION	SPECIFIED FASTENER	DRILL DIAMETERS		CS PART NUMBER
		WALL	RETAINER	
STEEL DOOR FRAME WOOD DOOR FRAME	#6 X 1 5/8" BUGLE HEAD SMS	N/A	7/64"	90H079002
STEEL DOOR FRAME WOOD DOOR FRAME	FASTBOND 30 ADHESIVE	5 GALLON 1 GALLON 1 QUART		90M016001 90M014001 90M015001

 Hughesville, PA 800.233.8493 570.546.5941 Mississauga, ON 888.895.8955 905.274.3611 www.c-sgroup.com © Copyright 2017 Construction Specialties, Inc.	PROJECT:	REVISION:
	JOB NO.:	F&F:
	CUSTOMER:	
	REP:	DATE:
	DRAWN BY:	SHEET NO: