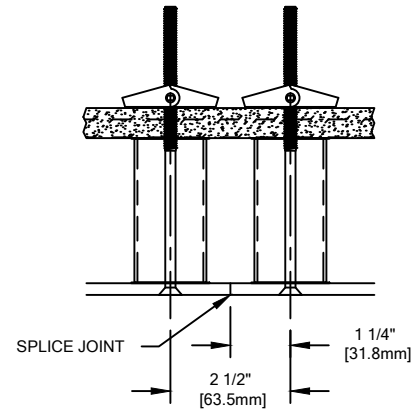


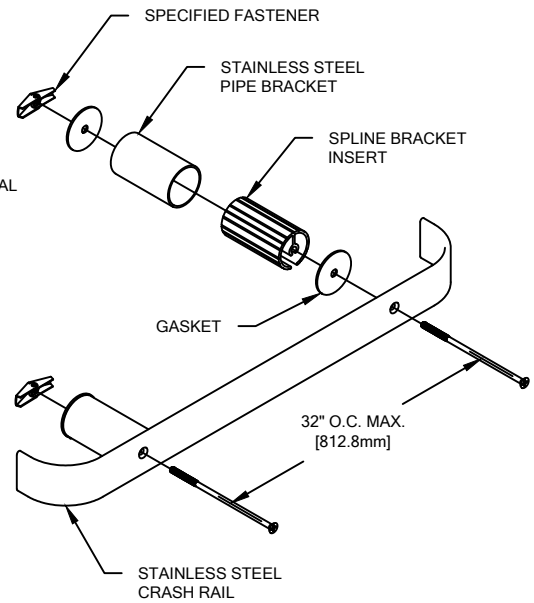
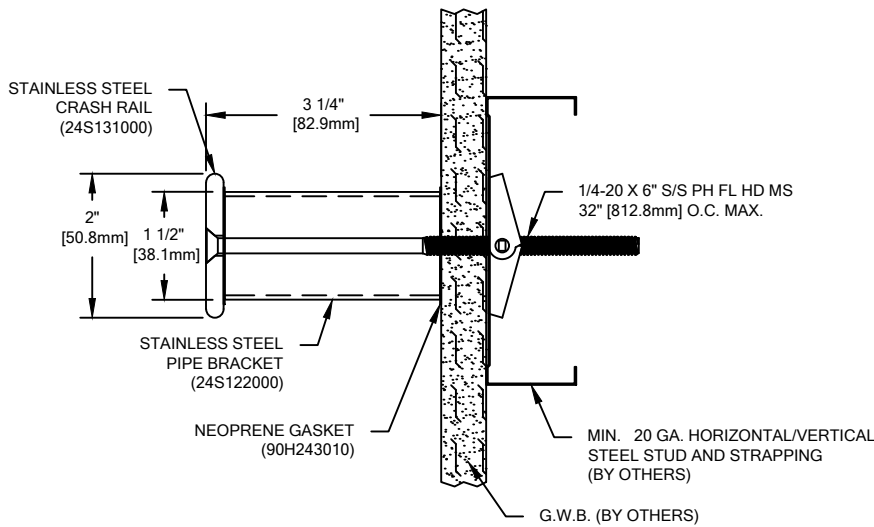
RAIL: STAINLESS STEEL RAIL PART# 24S131000	BRACKETS: STAINLESS STEEL PIPE BRACKET PART# 24S122000	BRACKETS: SPLINE BRACKET INSERT PART# 24F220000	GASKETS: NEOPRENE GASKET PART# 90H243010	HARDWARE: 1/4-20 X 6" PHILLIPS FLAT HEAD MS (90H307002) 1/4-20 TOGGLER (90H019004)
QTY:	QTY:	QTY:	QTY:	QTY:

NOTES:

- THIS MODEL IS FABRICATED CUT-TO-SIZE, THEREFORE FIELD VERIFIED DIMENSIONS ARE REQUIRED.
- ALL RAIL TO BE SUPPLIED PREFABRICATED TO REQUIRED LENGTH. ALL CORNERS AND END CAPS TO BE FACTORY FORMED TO SUITE FIELD DIMENSIONS.
- ALL UNITS TO BE PRE-DRILLED FOR ATTACHMENT. HOLE SPACING TO BE DETERMINED BY UNIT LENGTH, SPACING NOT TO EXCEED 32" ON CENTER.
- ALL MOUNTING HARDWARE TO BE SUPPLIED FOR FIELD ASSEMBLY AND INSTALLATION.




DETAIL AT SPLICE



TYPICAL ASSEMBLY

ECR-20S

WALL CONDITION	SPECIFIED FASTENER	DRILL DIAMETERS		CS PART NUMBER
		WALL	RETAINER	
STEEL STUD/GYPSUM WALL	1/4-20 X 6" S/S PHILLIPS FLAT HEAD MS 1/4-20 TOGGLER	3/4"	N/A	90H307002 90H019004
CONCRETE/CONC. BLOCK	1/4-20 X 5" S/S PHILLIPS FLAT HEAD MS 1/4-20 X 1 1/4" 4-WAY LEAD SHIELD	1/2"	N/A	90H308002 90H020004
WOOD STUD/GYPSUM WALL	#14 X 6" PHILLIPS FLAT HEAD S/S WOOD SCREW	3/16"	N/A	90H524002

 Hughesville, PA 800.233.8493 570.546.5941 Mississauga, ON 888.895.8955 905.274.3611 www.c-sgroup.com © Copyright 2019 Construction Specialties, Inc.	PROJECT:	REVISION:
	JOB NO.:	F&F:
	CUSTOMER:	
	REP:	DATE:
	DRAWN BY:	SHEET NO: