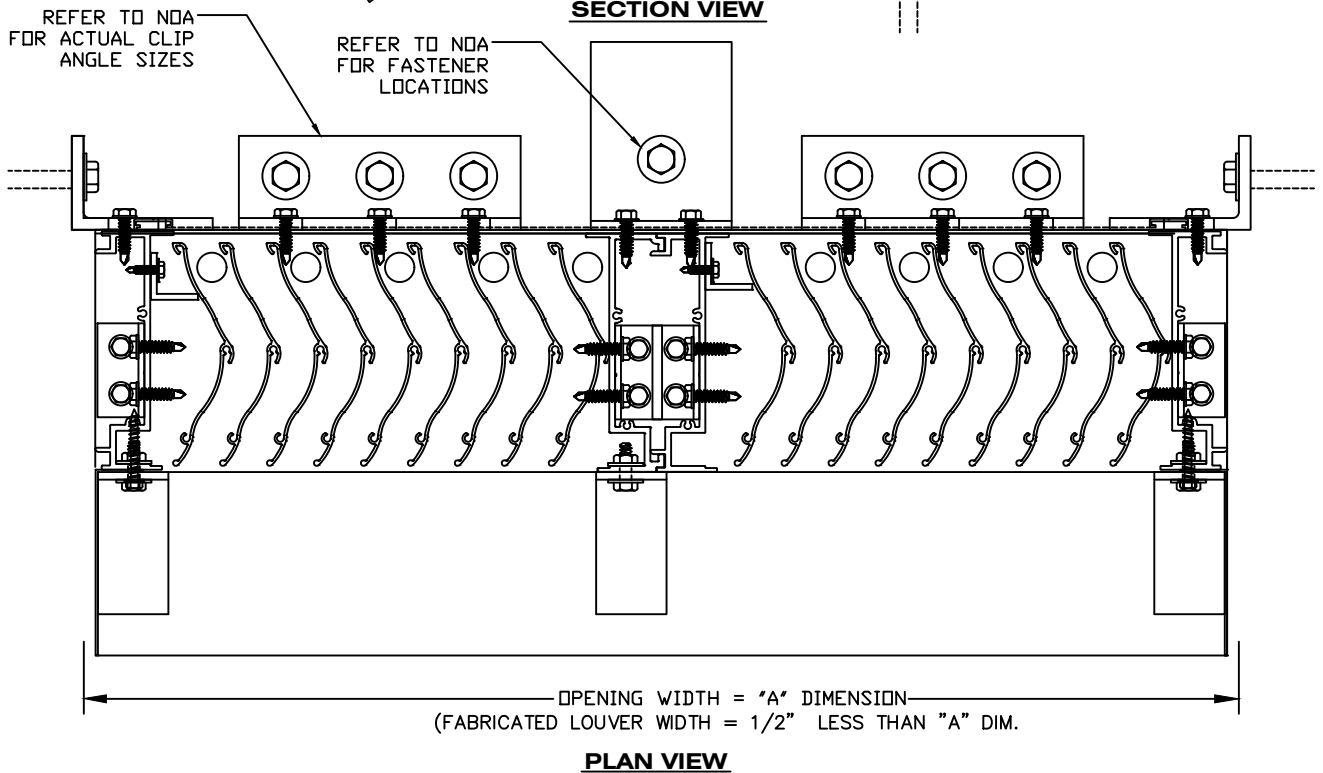
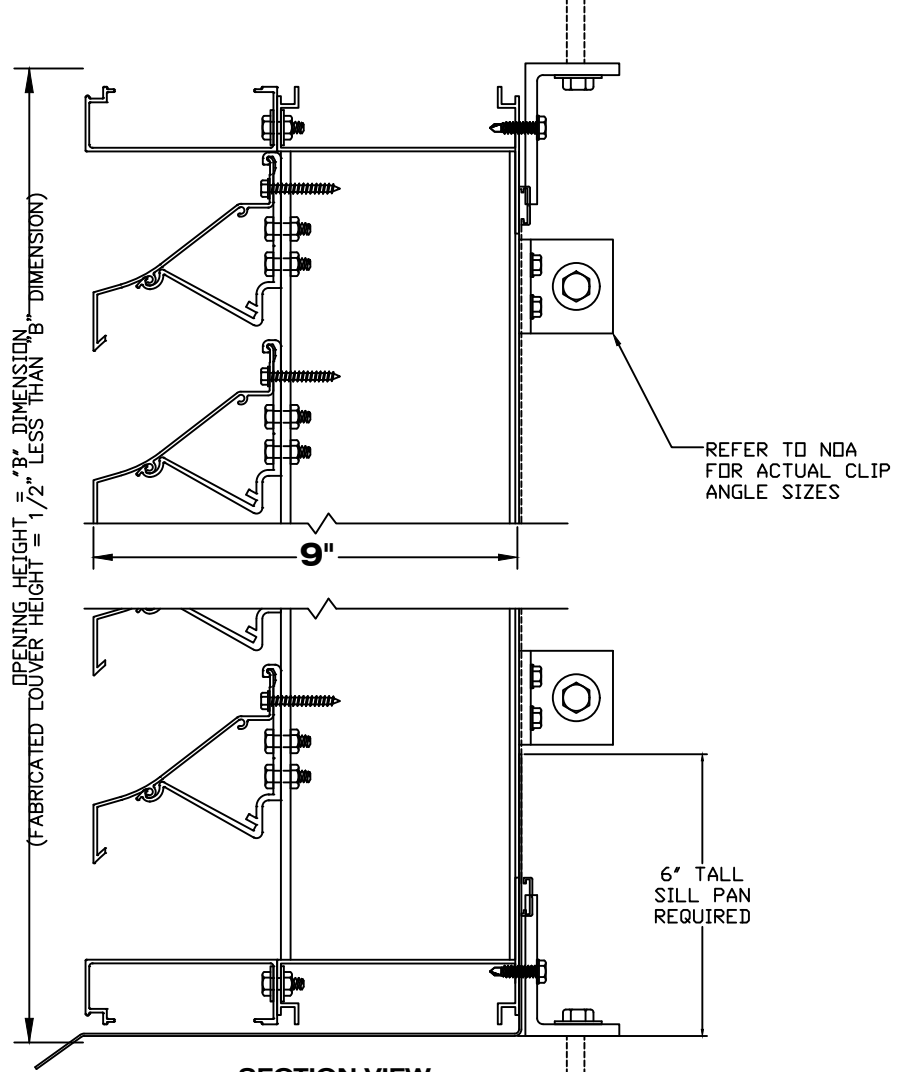
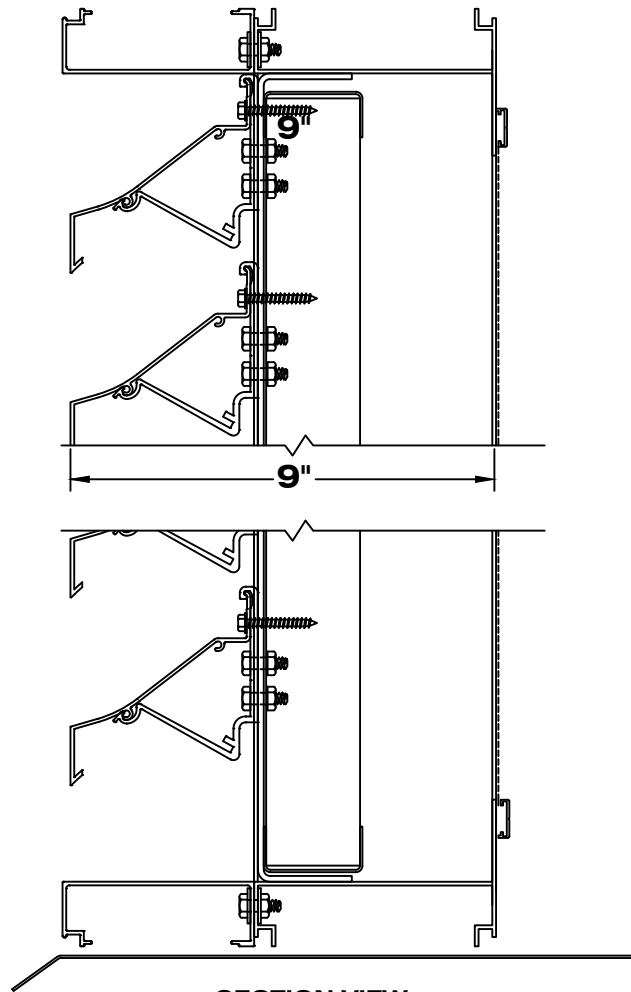


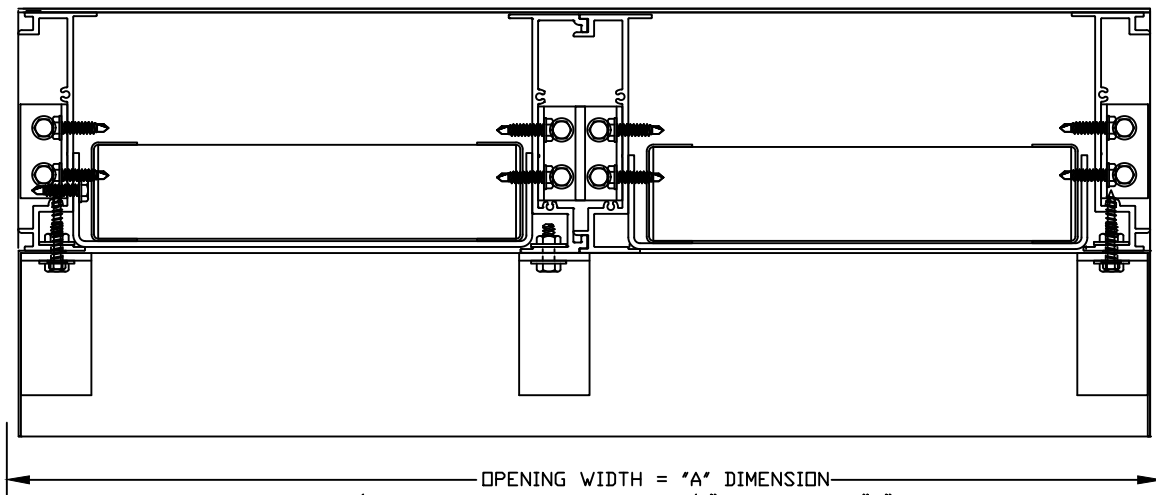
DADE COUNTY STORM RESISTANT LOUVERS – MODEL DC-9614
TYPICAL DETAILS – ACTIVE



DADE COUNTY STORM RESISTANT LOUVERS – MODEL DC-9614
TYPICAL DETAILS – PERMANENTLY INACTIVE



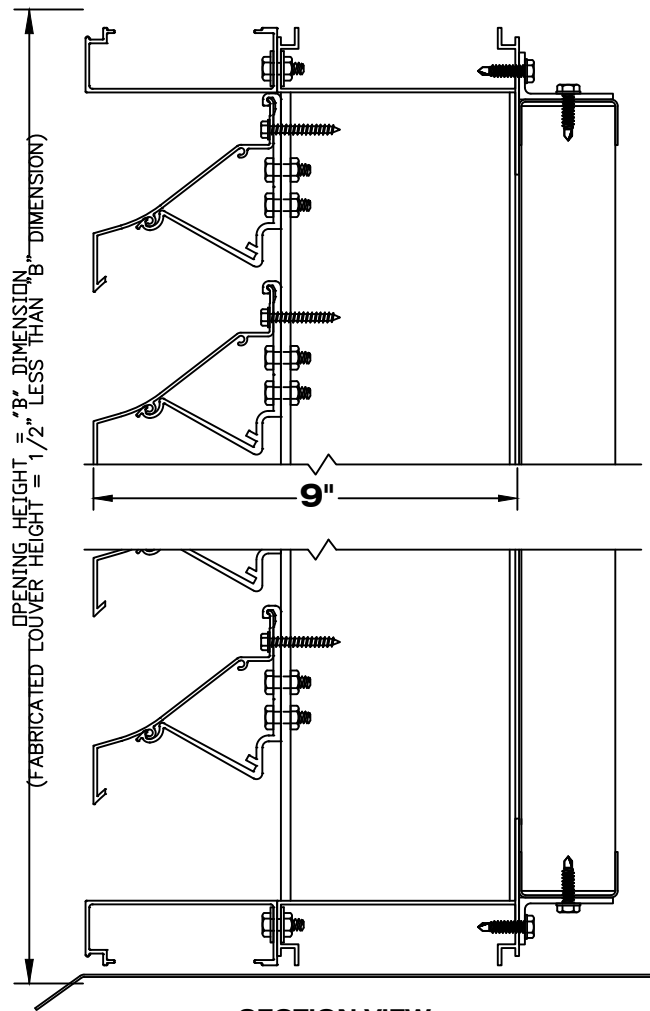
SECTION VIEW



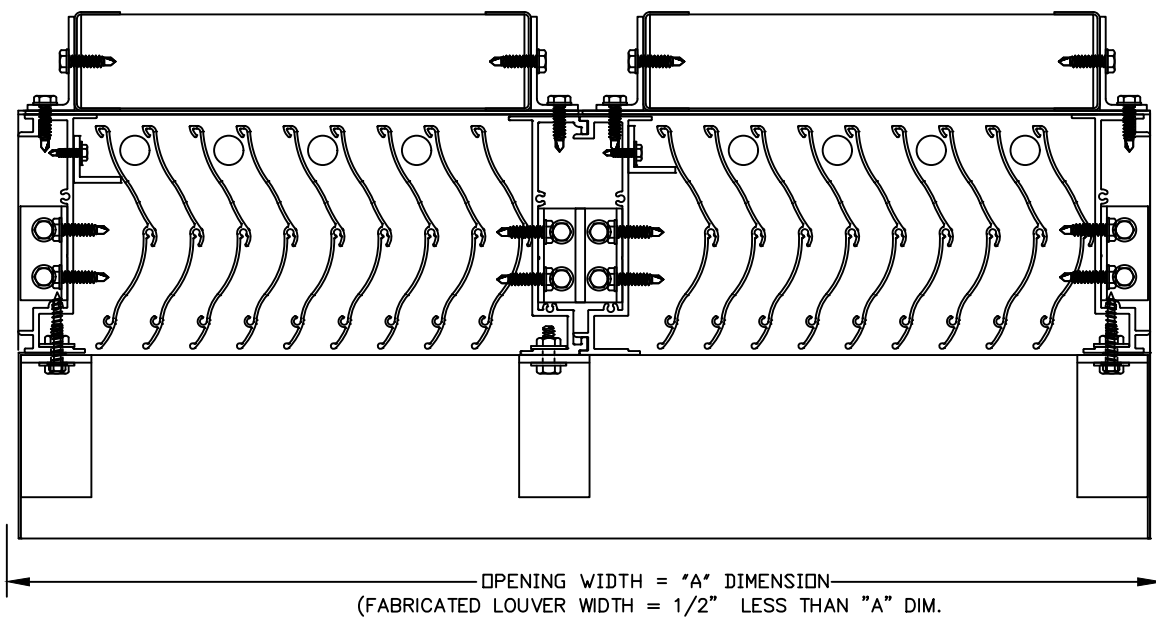
OPENING WIDTH = "A" DIMENSION
(FABRICATED LOUVER WIDTH = 1/2" LESS THAN "A" DIM.)

PLAN VIEW

DADE COUNTY STORM RESISTANT LOUVERS – MODEL DC-9614
TYPICAL DETAILS – INACTIVE



SECTION VIEW



PLAN VIEW