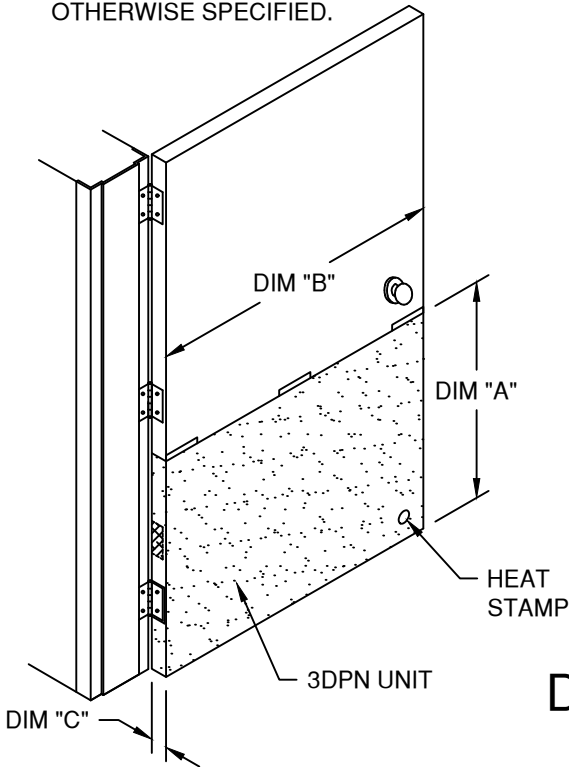
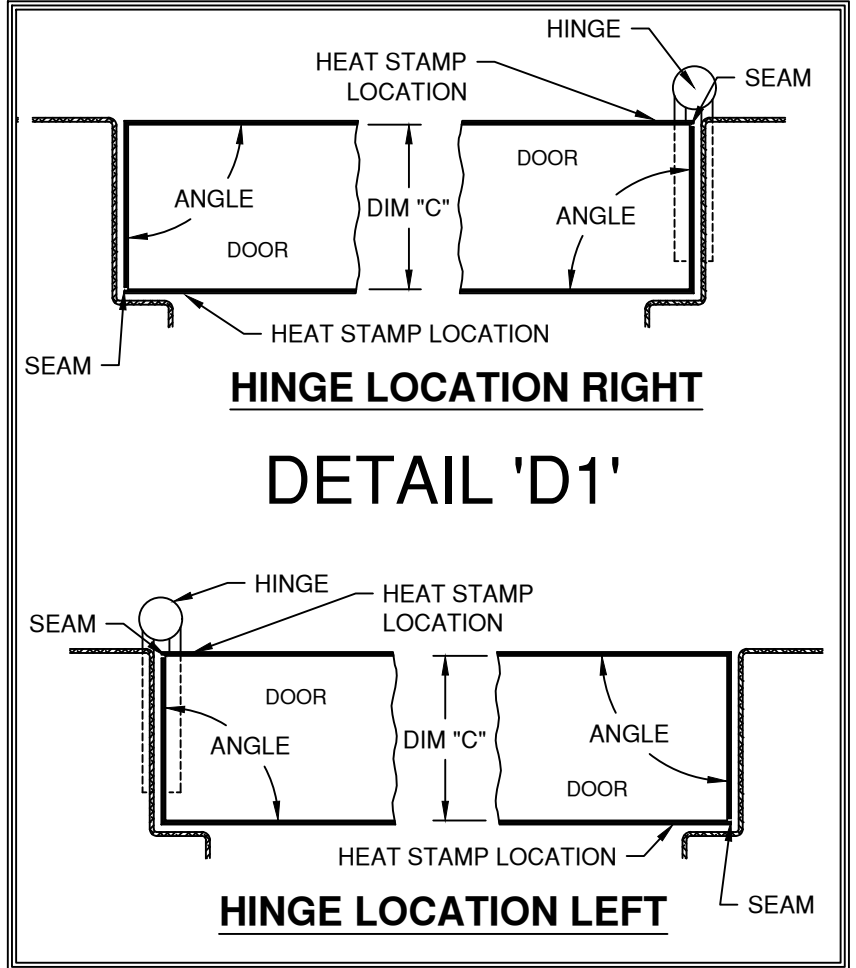


COLOR:
 DOOR PROTECTOR: _____
 COLOR TO BE SELECTED FROM ONE OF CS STANDARD COLORS.

UNITS REQ'D	THK. ²	HEAT STAMP YES / NO	LEFT / RIGHT	DIM. "A"	DIM. "B"	DIM. "C"	ANGLE


NOTES:

- ONE 3DPN UNIT EQUALS ONE "L" SHAPED PIECE. IF THERE ARE (2) UNITS PER DOOR, THE SEAMS ARE AT THE HINGE AND THE CORNER OPPOSITE THE HINGE.
- 3DPN UNITS ARE AVAILABLE IN .040" AND .060" THICKNESS.
- 3DPN DOOR EDGE PROTECTORS ARE AVAILABLE WITH ANGLES BETWEEN 80° AND 100° WITH 90° BEING STANDARD.
- FOR FIRE RATING HEAT STAMP LOCATION, SELECT HINGE LOCATION. SEE DETAIL D1 THIS PAGE. THE HEAT STAMPS ARE LOCATED ON THE BOTTOM RIGHT CORNER OF THE 3DPN OPPOSITE OF THE BEND.
- HEAT STAMP IS STANDARD UNLESS OTHERWISE SPECIFIED.



**3DPN
 DOOR CLADDING
 ACROVYN 4000**

CONDITION	SPECIFIED FASTENER	QUANTITY	CS PART NUMBER
WOOD DOORS	DOUBLE SIDED TAPE	FACTORY APPLIED	90M181002
WOOD DOORS	FASTBOND 30 ADHESIVE	5 GALLON 1 GALLON 1 QUART	90M016001 90M014001 90M015001

 Hughesville, PA 800.233.8493 570.546.5941 Mississauga, ON 888.895.8955 905.274.3611 www.c-sgroup.com © Copyright 2018 Construction Specialties, Inc.	PROJECT:	REVISION:
	JOB NO.:	F&F:
	CUSTOMER:	
	REP:	DATE:
	DRAWN BY:	SHEET NO: