

**HRB-4CN HANDRAIL**  
WITH INTERNATIONAL OFFSET

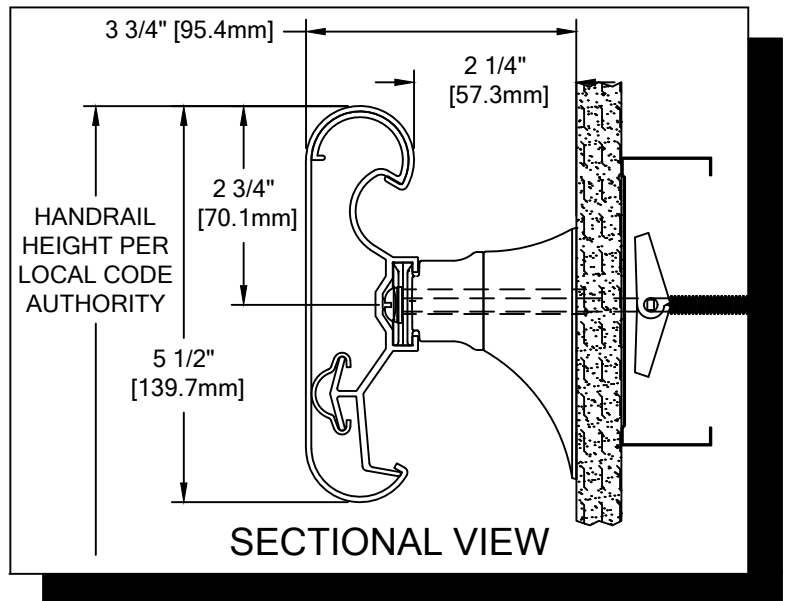
PLEASE READ

PLEASE READ THESE INSTRUCTIONS THOROUGHLY PRIOR TO BEGINNING THE HRB-4CN HANDRAIL INSTALLATION!

THIS INSTRUCTION SHEET IS INTENDED TO PROVIDE A SPECIFIC GUIDE TO FOLLOW FOR THE INSTALLATION OF THIS HRB-4CN HANDRAIL. CONTAINED WITHIN IS THE TECHNICAL INFORMATION AND INSTALLATION TECHNIQUES REQUIRED TO COMPLETE AN EFFICIENT, NEAT AND LONG-LASTING INSTALLATION.

INSPECT ALL MATERIALS FOR DAMAGE OR MISSING PARTS. IF YOU DISCOVER DAMAGED OR MISSING MATERIALS, IN THE USA PLEASE NOTIFY THE FACTORY AT (800) 233-8493, AND IN CANADA (888) 895-8955 FOR CUSTOMER SERVICE.

HRB-4CN HANDRAIL MUST BE INSTALLED IN ACCORDANCE WITH THESE INSTRUCTIONS! FAILURE TO FOLLOW THESE INSTRUCTIONS MAY VOID ANY PRODUCT WARRANTIES AND RESULT IN AN UNSUCCESSFUL INSTALLATION. FOR SPECIFIC QUESTIONS REGARDING THE INSTALLATION OF THIS HRB-4CN HANDRAIL PLEASE CALL THE FACTORY IN THE USA AT (800) 233-8493 OR EMAIL [IWPTECHSUPPORT@C-SGROUP.COM](mailto:IWPTECHSUPPORT@C-SGROUP.COM). IN CANADA CALL (888) 895-8955.



IMPORTANT NOTES

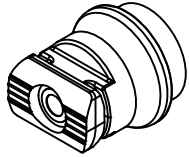
1. ALL LINEAL MATERIAL TO BE SUPPLIED IN STOCK LENGTHS. ALUMINUM AND ACROVYN IN LENGTHS UP TO 20'-0". THIS MATERIAL IS TO BE FIELD CUT USING QUALITY EQUIPMENT TO INSURE THAT ALL CUTS ARE SQUARE. WHEN CUTTING MATERIAL SECTIONS, CS RECOMMENDS USING AN 80-100 TOOTH CARBIDE TIPPED SAW BLADE OR EQUIVALENT, TO MINIMIZE CHIPPING AND MAINTAIN JOINT ALIGNMENT.
2. RADIAL MATERIAL MAY BE SUPPLIED FACTORY FORMED OR IN STRAIGHT LENGTHS FOR FIELD FORMING. CONSULT FACTORY FOR OPTIONS.
3. ALL DIMENSIONS ARE TYPICAL.
4. FOR DRYWALL/PLASTER WALL CONSTRUCTION, IT IS RECOMMENDED FOR FASTENERS TO BE ENGAGED INTO METAL/WOOD STUDS TO MAINTAIN MAXIMUM PULLOUT STRENGTH. IF DURING INSTALLATION YOU ENCOUNTER SPECIAL WALL CONDITIONS THAT DO NOT ALLOW FOR DIRECT ATTACHMENT TO THE STUDS PLEASE CONSULT THE LOCAL AUTHORITY HAVING JURISDICTION.
5. INSTALL OUTSIDE CORNERS FIRST.
6. INSTALL LONGEST RUN OF HANDRAIL FIRST.
7. MATERIAL MUST REACH 65°F MIN. TO 75°F MAX. 24 HOURS PRIOR TO INSTALLATION. THIS IS ESSENTIAL TO MINIMIZE EXPANSION AND CONTRACTION OF MATERIAL.
8. MAY REQUIRE USE OF FIRE PUTTY WHEN INSTALLED ON FIRE WALL WITH TOGGLE BOLTS. REFERENCE INSTRUCTIONS 24FIREPUTTY FOR FIRE PUTTY INSTALLATION.
9. THIS HANDRAIL REQUIRES A MINIMUM OF 2 MOUNTING BRACKETS PER UNIT. THE MINIMUM END CAP-TO-END CAP HANDRAIL LENGTH IS 17" [431.8mm].
10. FOR OSHPD USE 20 GA. STEEL STUD, 20 GA. INTERMEDIATE HORIZONTAL STUD AND 5/8" GYPSUM WALL BOARD.
11. FOR MORE INFORMATION ON HRB-4CN HANDRAIL SEE OUR WEBSITE AT [www.c-sgroup.com](http://www.c-sgroup.com).

**HRB-4CN HANDRAIL**  
WITH INTERNATIONAL OFFSET

COMPONENTS & WALL FASTENERS



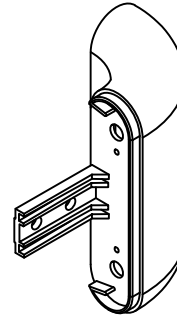
ACROVYN COVER  
(24U008xxx)  
ACROVYN WOODGRAINS  
AND BRUSHED METALS  
(24U604xxx)



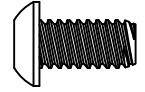
EXTENDED  
QUICK LOCK  
(24I098108)



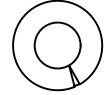
ALUMINUM RETAINER  
(24A306000)



HANDRAIL END CAP  
(24I115xxx)  
ACROVYN WOODGRAINS  
AND BRUSHED METALS END CAP  
(24I988xxx)



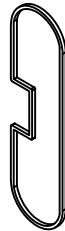
**FASTENER #1**  
1/4-20 X 1/2" BUTTON  
SOCKET HEAD SS CAP SCREW  
(90H772006)



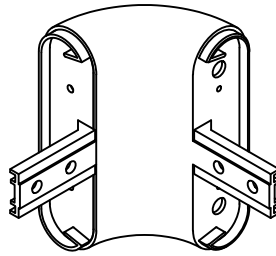
**FASTENER #2**  
1/4" LOCK WASHER  
(90H006003)



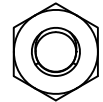
QUICK LOCK  
MOUNTING BRACKET  
(24I820xxx)



OPTIONAL REVEAL  
(24I845xxx)  
OPTIONAL S/S REVEAL  
(24S096000)



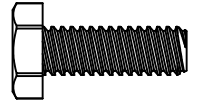
HANDRAIL CORNER ASSEMBLY  
(OUTSIDE, 4COSxxx)  
(INSIDE, 4CISxxx)



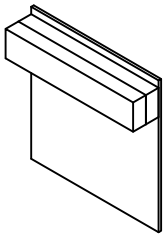
**FASTENER #3**  
1/4-20 HEX NUT  
(90H010001)



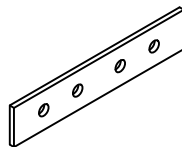
RC-10 CUSHION  
(24U967108H)



**FASTENER #4**  
1/4-20 X 3/4"  
HEX HEAD SS MACHINE SCREW  
(90H008006)



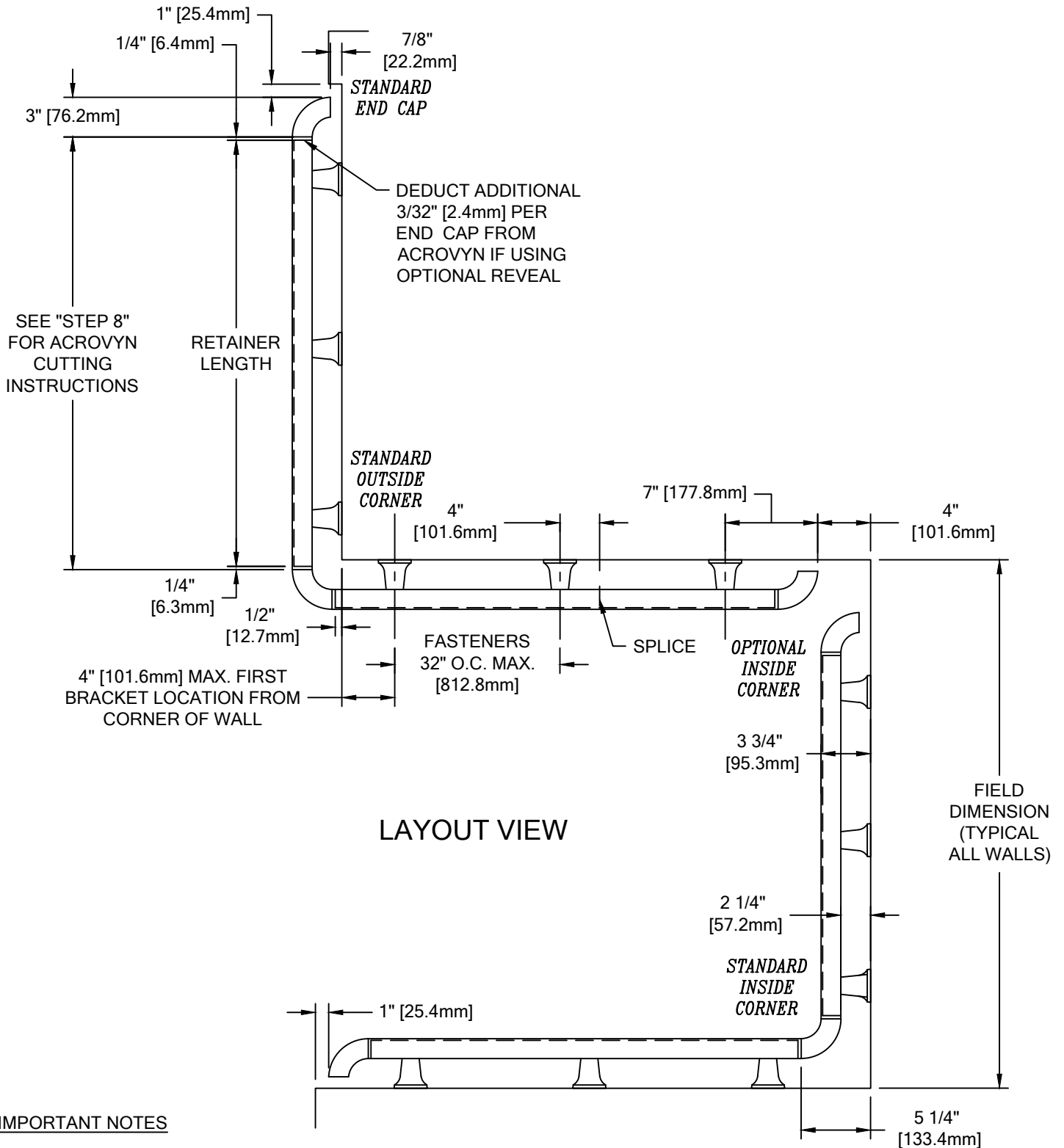
ACROVYN LINE-UP SPLICE  
(24F041002)



RETAINER SPLICE BAR  
(24I976000)

WALL CONDITION	SPECIFIED FASTENER	DRILL DIAMETERS		CS PART NUMBER
		WALL	RETAINER	
STEEL STUD/GYPSUM WALL	1/4-20 X 5" ROUND HEAD BOLT WITH TOGGLE, AND LOCK WASHER	3/4"	N/A	90H049002 90H006003
CONCRETE/CONCRETE BLOCK	#14 X 5" SS PHILLIPS RD HD ALL-PURPOSE SCREW	3/16"	N/A	90H287006
WOOD STUD/GYPSUM WALL	#14 X 5" SS PHILLIPS RD HD ALL-PURPOSE SCREW	1/8"	N/A	90H287006

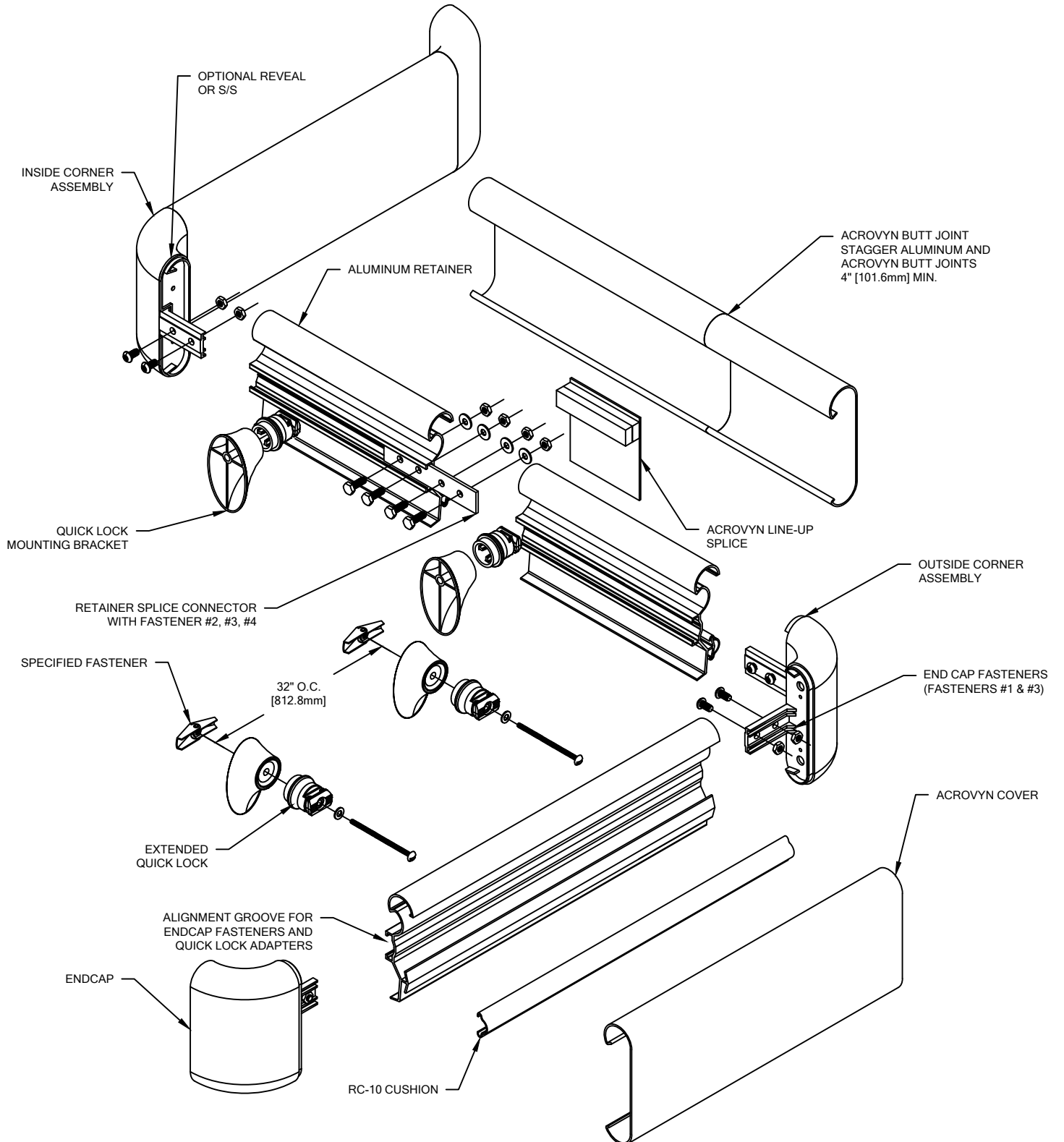
**HRB-4CN HANDRAIL**  
WITH INTERNATIONAL OFFSET  
LAYOUT VIEW



**IMPORTANT NOTES**

1. ALUMINUM RETAINER SPLICE SHOULD NOT EXCEED 4" [101.6mm] DISTANCE FROM A BRACKET.
2. THE DISTANCE BETWEEN AN ACROVYN SPLICE JOINT AND AN ALUMINUM RETAINER SPLICE JOINT SHOULD BE STAGGERED 4" [101.6mm].
3. TANGENT POINTS ON FACTORY FORMED RADIAL MATERIAL WILL BE MARKED APPROXIMATELY AND SHOULD BE CUT TO SUIT FIELD CONDITIONS.

**HRB-4CN HANDRAIL**  
 WITH INTERNATIONAL OFFSET  
TYPICAL ASSEMBLY



**HRB-4CN HANDRAIL  
WITH INTERNATIONAL OFFSET**

WALL BRACKET & RETAINER INSTALLATION

ILLUSTRATION 1

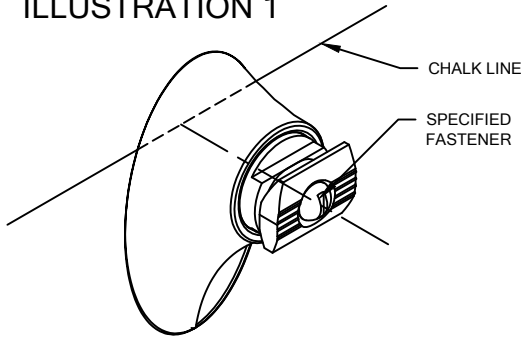


ILLUSTRATION 2

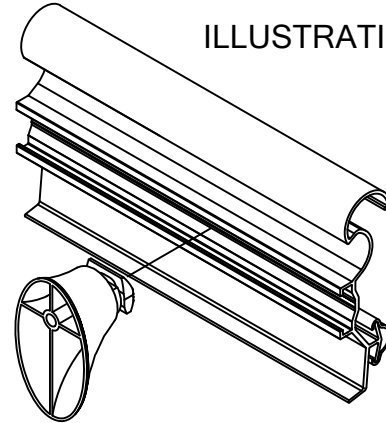


ILLUSTRATION 3

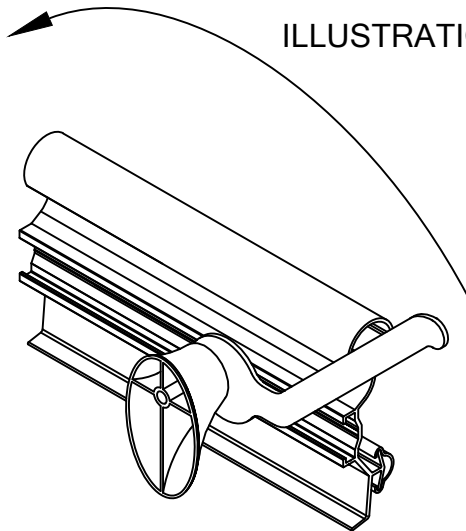
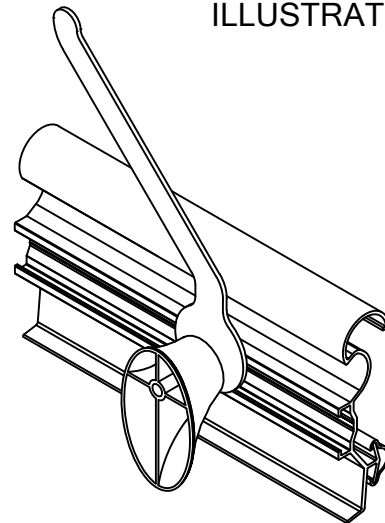


ILLUSTRATION 4



**NOTE:** INSTALLATION OF LINEAL OR RADIAL HRB-4CN HANDRAIL SHOULD BE DONE IN ACCORDANCE WITH THE FOLLOWING INSTRUCTIONS.

1. USING LOCAL CODE REQUIREMENTS, ESTABLISH HANDRAIL ABOVE FINISH FLOOR. DEDUCT 2 3/4" [69.8mm] AND SNAP A CHALK LINE AT THAT HEIGHT. THIS MARKS THE LOCATION OF THE FASTENERS FOR THE HANDRAIL BRACKETS.
2. DETERMINE WALL FASTENER LOCATIONS BY USING THE REQUIRED DEDUCTIONS (SEE LAYOUT VIEW) AND DRILL HOLE DIAMETER FOR SPECIFIED WALL FASTENERS. REFERENCE CHART ON PAGE 2 FOR CORRECT DRILL DIAMETERS.
3. PLACE A BRACKET LOCK INTO EACH BRACKET BASE. USING THE APPROPRIATE FASTENERS, ATTACH THE BRACKET ASSEMBLIES TO THE WALL AT THE PRE-DRILLED LOCATIONS. SEE ILLUSTRATION 1.
4. CUT THE CONTINUOUS ALUMINUM RETAINER TO LENGTH USING THE REQUIRED DEDUCTIONS AS NOTED (SEE LAYOUT VIEW).

**NOTE:** IT IS RECOMMENDED THAT THE ACROVYN COVERS AND ALUMINUM RETAINER BE CUT WITH AN 80-100 TOOTH CARBIDE TIPPED SAW BLADE OR EQUIVALENT.

5. CUT THE RC-10 CUSHION TO LENGTH NOTING THE REQUIRED DEDUCTIONS (SEE LAYOUT VIEW) AND INSTALL ONTO ALUMINUM RETAINER.

**OPTIONAL:** THE END CAPS AND COVERS MAY BE INSTALLED ONTO THE RETAINER PRIOR TO POSITIONING THE RETAINER TO THE WALL BRACKETS. IF THIS INSTALLATION METHOD IS PREFERRED, PROCEED WITH STEPS 7 THROUGH 9 BEFORE COMPLETING STEP 6.

6. PLACE THE RETAINER ON THE WALL BRACKETS SO THAT THE HEAD OF EACH QUICK LOCK INSERTS INTO THE CHANNEL ON THE BACK OF THE RETAINER. USING THE WRENCH PROVIDED, TWIST EACH LOCK 90° TO SECURE THE BRACKET BASE INTO PLACE. SEE ILLUSTRATIONS 2 THROUGH 4. USE A LEVEL TO ENSURE RETAINER IS LEVEL..

**NOTE:** WHEN FIELD FORMING RADIUS HANDRAIL, BE SURE TO APPLY NEEDED PRESSURE FROM BRACKET TO BRACKET.

**HRB-4CN HANDRAIL  
WITH INTERNATIONAL OFFSET**

**END CAP & CORNER ASSEMBLY INSTALLATION**

NOTE: INSTALLATION OF OUTSIDE CORNER ASSEMBLY SHOWN FROM THE BACKSIDE FOR CLARITY. INSIDE CORNERS AND STANDARD END CAPS SIMILAR.

ILLUSTRATION 5

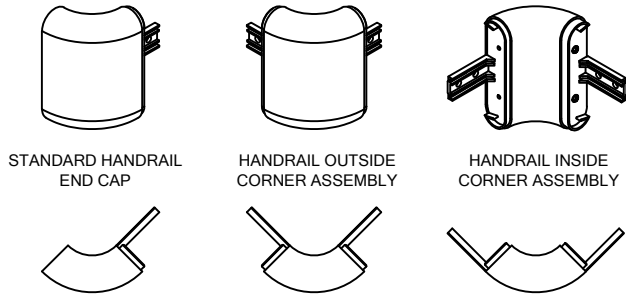


ILLUSTRATION 6

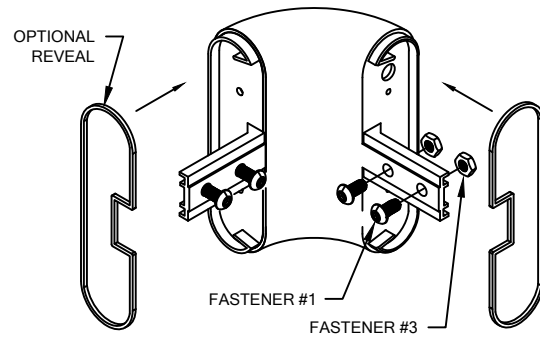


ILLUSTRATION 7

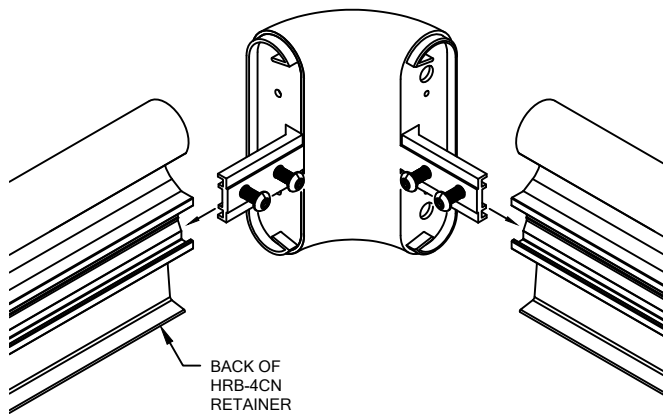
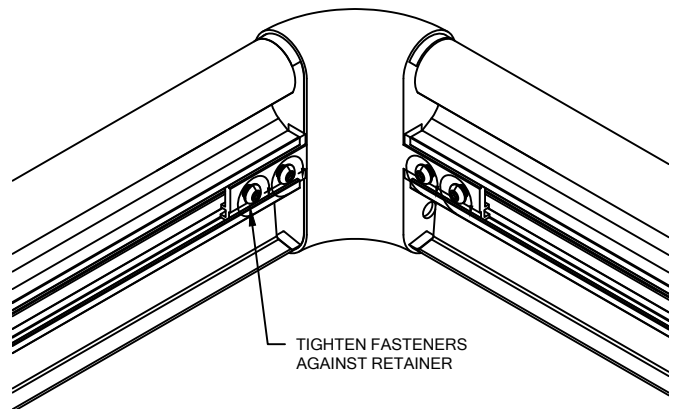


ILLUSTRATION 8



NOTE: IF END CAP REVEALS ARE INCLUDED, FIT THEM OVER THE SHOULDERS OF THE END CAPS / CORNER ASSEMBLIES AT THIS TIME.

- ATTACH END CAPS AND/OR CORNER ASSEMBLIES BY LOOSELY THREADING TWO (2) 1/4-20 x 1/2" BUTTON SOCKET HEAD CAP SCREWS THROUGH THE BACKSIDE OF THE FLANGE OF EACH END CAP (FOUR (4) PER CORNER ASSEMBLY) INTO THEIR RESPECTIVE NUTS ON THE RETAINER SIDE OF THE FLANGE. SLIDE THE FLANGE INTO THE RECEIVER CHANNEL OF THE ALUMINUM RETAINER AND TIGHTEN THE BUTTON SOCKET HEAD CAP SCREWS FOR A SECURE FIT. SEE ILLUSTRATIONS 6 THROUGH 8.

NOTE: TO AID IN LOCATING THE END CAPS CORRECTLY, CUT A 4" [101.6mm] SECTION OF COVER FROM SCRAP AND SNAP IT ON THE RETAINER. LOCATE THE CAP SO IT ALIGNS FLUSH WITH TOP AND BOTTOM OF THE COVER.

- CUT THE ACROVYN COVERS TO THE PROPER LENGTH. THE COVER LENGTH IS DETERMINED BY MEASURING THE DISTANCE BETWEEN THE INSTALLED END CAPS AND/OR INSIDE/OUTSIDE CORNER ASSEMBLIES.

NOTE: IT IS RECOMMENDED THAT THE ACROVYN COVERS BE CUT SLIGHTLY LONGER (1/32" UP TO 5'-0", 1/16" OVER 5'-0") THAN THE MEASURED DISTANCE. THIS ADDITIONAL LENGTH WILL PROVIDE FOR A TIGHTER COVER-TO-END CAP FIT.

- ALIGN THE TOP OF THE ACROVYN COVER WITH THE TOP OF THE ALUMINUM RETAINER AND SNAP THE COVER ONTO THE RETAINER.

NOTE: MANUFACTURER RECOMMENDS ALL PRINTED "PRODUCT IDENTIFICATION" ON THE REAR OF THE ACROVYN PROFILE SHALL BE ORIENTED IN THE SAME DIRECTION DURING INSTALLATION TO ENSURE PROPER ALIGNMENT AT SPLICE BUTT JOINTS.

9/30/2025