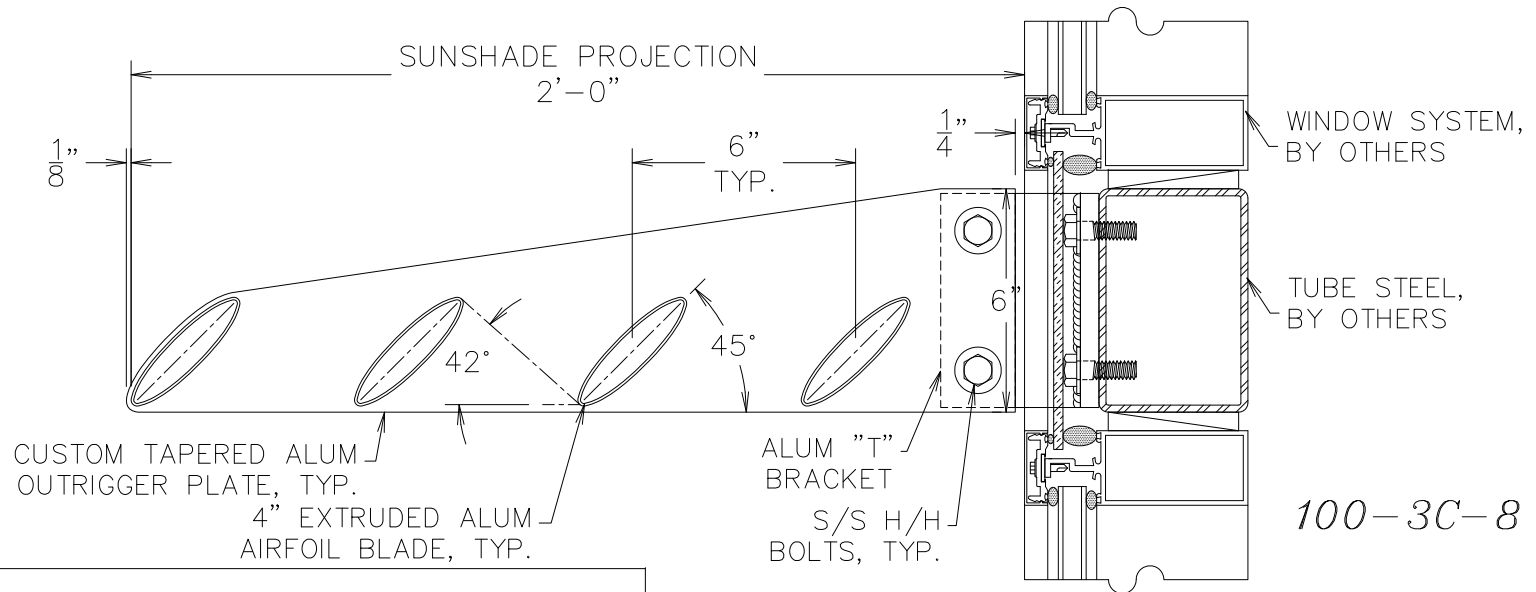


PLAN VIEW DETAIL OF CUSTOM
CANTILEVER AIRFOIL SUNSHADE SYSTEM

WALL CONDITION
IS ASSUMED



CUSTOM TAPERED ALUM
OUTRIGGER PLATE, TYP.

4" EXTRUDED ALUM
AIRFOIL BLADE, TYP.

ALUM "T"
BRACKET

S/S H/H
BOLTS, TYP.

WINDOW SYSTEM,
BY OTHERS

TUBE STEEL,
BY OTHERS

100-3C-8

SECTION VIEW DETAIL OF CUSTOM
CANTILEVER AIRFOIL SUNSHADE SYSTEM

SUNSHADE DESIGNS MUST MEET LOCAL CODE REQUIREMENTS
PLEASE CONTACT C/S REPRESENTATIVE IN YOUR AREA
FOR ASSISTANCE.

THIS DOCUMENT IS THE PROPERTY OF CONSTRUCTION SPECIALTIES, INC., WHICH CONTAINS CONFIDENTIAL PROPRIETARY INFORMATION THAT IS NOT TO BE DISCLOSED TO A THIRD PARTIES, AND IS NOT TO BE USED WITHOUT WRITTEN APPROVAL FROM CONSTRUCTION SPECIALTIES, INC.



Construction Specialties™

49 Meeker Avenue, Cranford, NJ 07016-3198
Phone (800)-526-6930 / Fax (908)-272-6038

PROJECT:

LOCATION:

ARCH'S:

AGENT:

SCALE: 3/16" = 1"

DSGN & DRW BY: MENA MORCOS

DATE:

DRW NO : 11