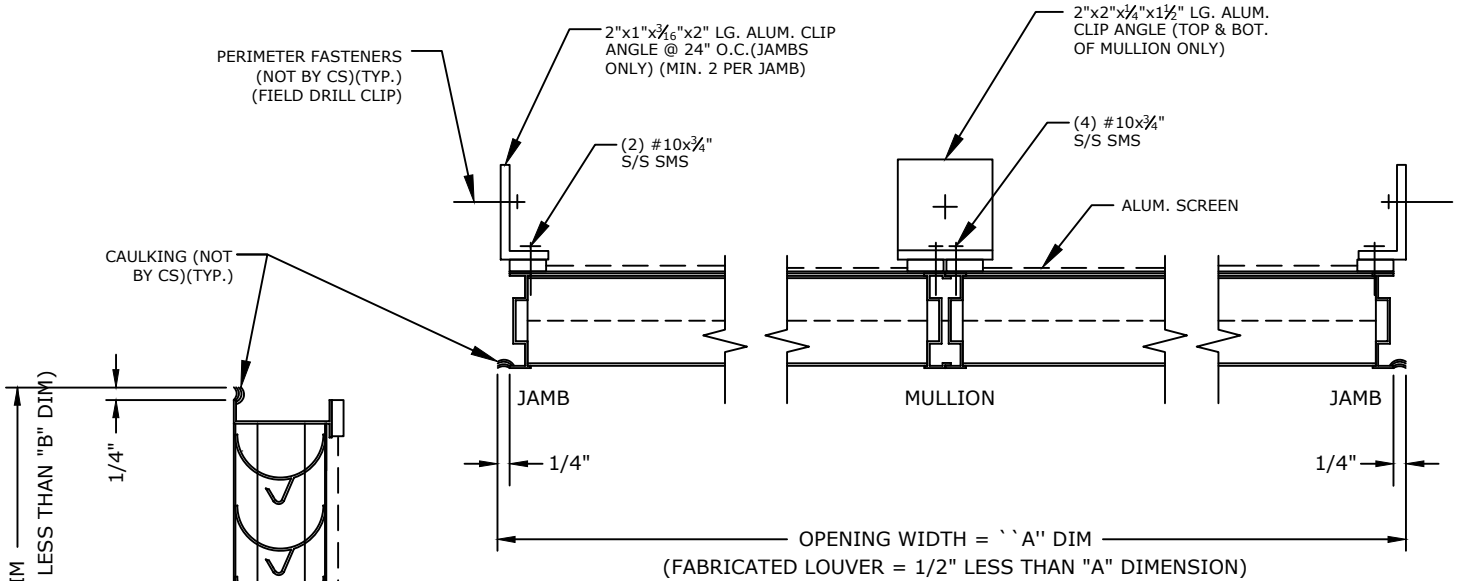
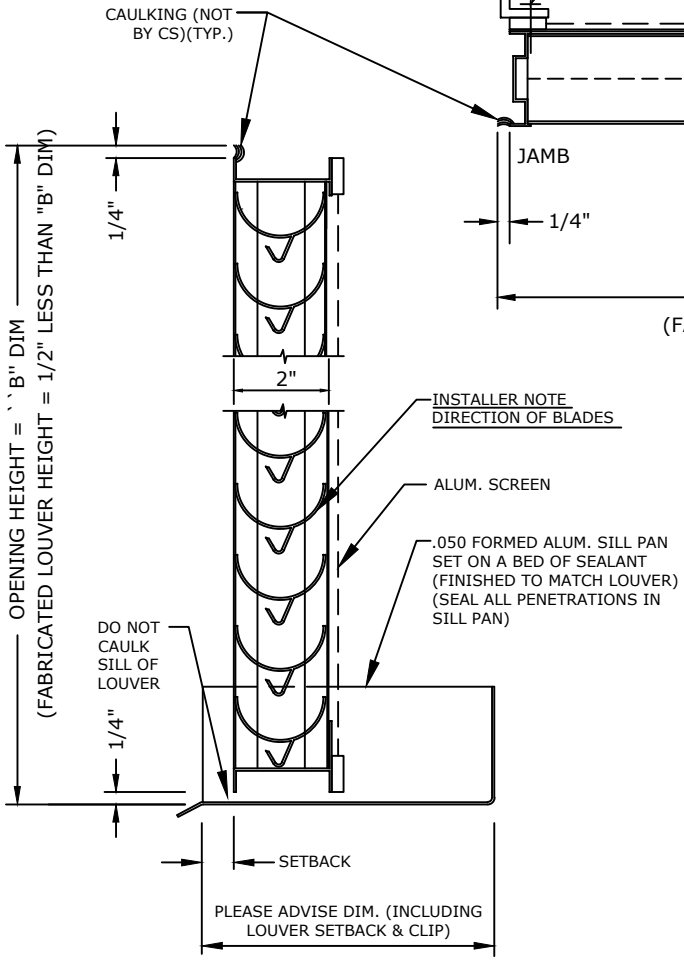


STORM RESISTANT LOUVER MODEL RS-2300



PLAN VIEW
NTS



VERTICAL SECTION
NTS

SCREENS

- SCREEN NOT REQUIRED
- SCREEN REQUIRED
- INTERIOR MOUNTED
- EXTERIOR MOUNTED
- BIRDSCREEN: 1/2" MESH .063 DIA. ALUM. WIRE (MILL FINISH)
- INSECT SCREEN: 18x16 ALUM. MESH (MILL FINISH)

FINISHES

- STANDARD MILL
- FLUOROPOLYMER POWDER COAT (NOT AVAILABLE IN 600XL OR 700)
- KYNAR (500),(600XL)or(700)
- (1) OF CS STD. COLORS
- CUSTOM COLOR, CS REQUIRES A COLOR CHIP FOR MATCHING
- BRONZE ANODIC (DARK OR MED.)
- CLEAR ANODIZE
- OTHER _____

CS EXTRUDED ALUMINUM STORM RESISTANT DRAINABLE 2" DEEP LOUVER MODEL RS-2300. FRAMES AND BLADES TO BE FABRICATED FROM 6063-T6 ALLOY. ALL FASTENERS TO BE STAINLESS STEEL.

UNSUPPORTED BLADE LENGTH = @ PSF.

MARK	QTY.	"A" DIM.	"B" DIM.	NUMBER OF MULLIONS	LOUVER LOCATION	REMARKS
						CHECKED BY:

Construction Specialties, Inc. 3 Werner Way Lebanon, New Jersey 08833 800-233-8493	PROJECT:	DRAWN BY:	
	CUSTOMER:	DATE:	
	ARCH'T:	DWG. NO:	
	AGENT:	SHEET OF	