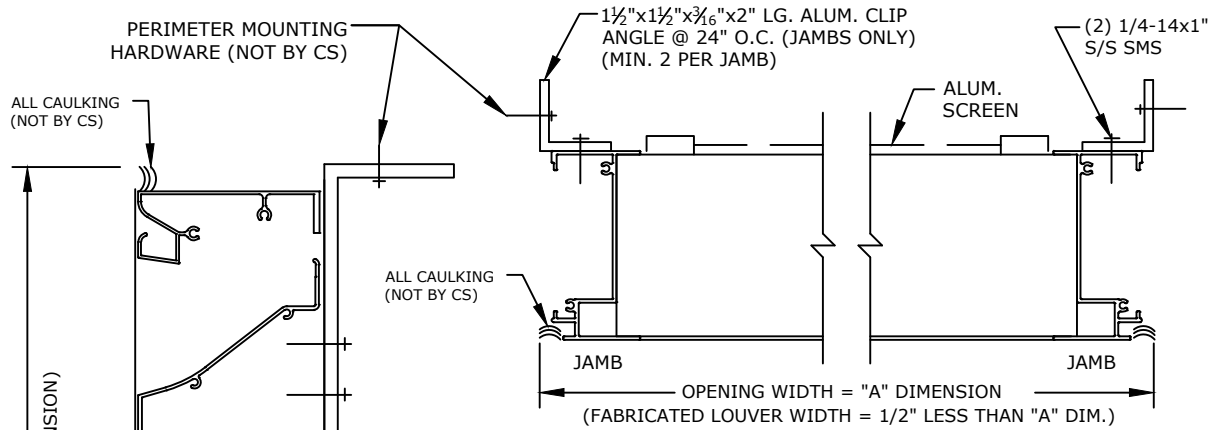
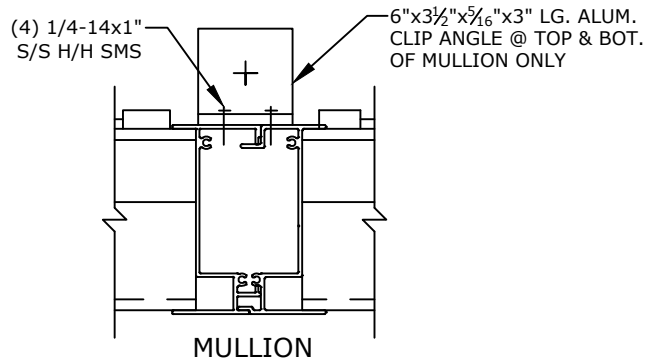
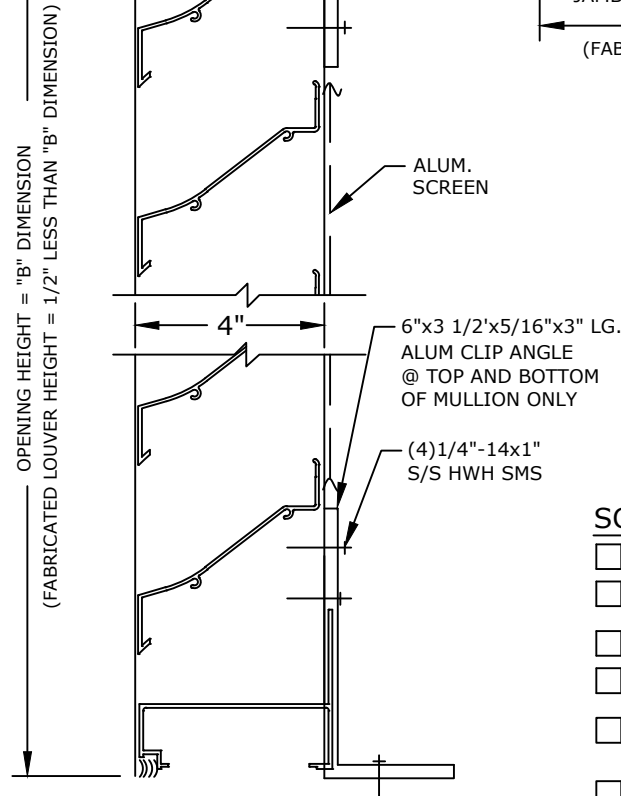


# HIGH PERFORMANCE MULLION LOUVER MODEL A4080



**PLAN VIEW**  
NTS



**MULLION**

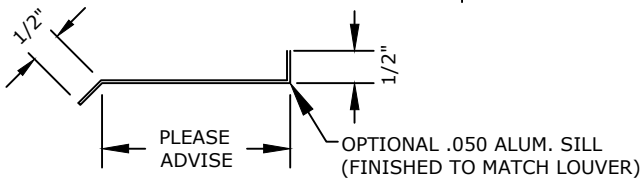
## SCREENS

- SCREEN NOT REQUIRED
- SCREEN REQUIRED
- INTERIOR MOUNTED
- EXTERIOR MOUNTED
- BIRDSCREEN: 1/2" MESH .063 DIA. ALUM. WIRE (MILL FINISH)
- INSECT SCREEN: 18x16 ALUM. MESH (MILL FINISH)

## FINISHES

- STANDARD MILL
- FLUOROPOLYMER POWDER COAT (NOT AVAILABLE IN 600XL OR 700)
- KYNAR (500),(600XL)or(700)
- (1) OF CS STD. COLORS
- CUSTOM COLOR, CS REQUIRES A COLOR CHIP FOR MATCHING
- BRONZE ANODIC (DARK OR MED.)
- CLEAR ANODIZE
- OTHER \_\_\_\_\_

CS EXTRUDED ALUM FIXED HIGH PERFORMANCE LOUVER MODEL A4080. FRAMES AND BLADES TO BE FABRICATED FROM 6063-T6 ALLOY, WITH REINFORCING BOSSES. ALL FASTENERS TO BE STAINLESS STEEL.



**VERTICAL SECTION**  
NTS

UNSUPPORTED BLADE LENGTH= @ PSF.

| MARK   | QTY. | "A" DIM. | "B" DIM. | NUMBER OF MULLIONS | LOUVER LOCATION | REMARKS     |
|--|------|----------|----------|--------------------|-----------------|-------------|
|  |      |          |          |                    |                 |             |
|  |      |          |          |                    |                 |             |
|  |      |          |          |                    |                 |             |
|  |      |          |          |                    |                 |             |
|  |      |          |          |                    |                 | CKD.<br>BY: |
| <b>Construction Specialties, Inc.</b><br>3 Werner Way<br>Lebanon, New Jersey 08833<br>(800) 233-8493 |      |          |          | PROJECT:           | DRAWN BY:       |             |
|  |      |          |          | CUSTOMER:          | DATE:           |             |
|  |      |          |          | ARCH'T:            | DWG. NO:        |             |
|  |      |          |          | AGENT:             | SHEET OF        |             |