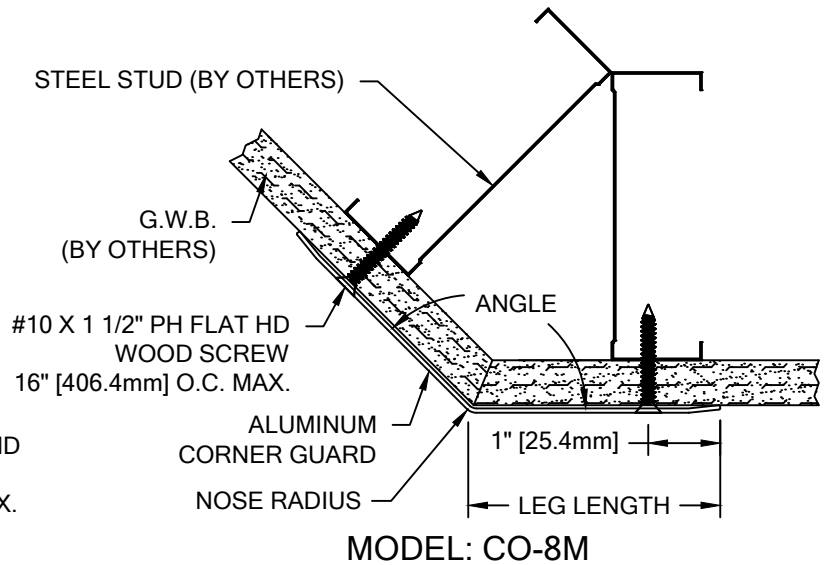
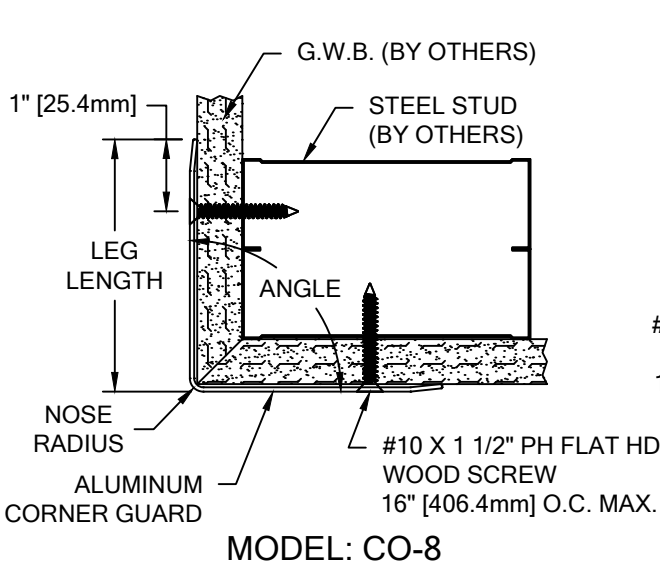


CORNER GUARD:
FINISH: _____
THICKNESS: _____
TYPE: _____
 CORNER GUARDS SUPPLIED IN STANDARD .063" THICKNESS, TYPE 5005 H34 ALLOY WITH CLEAR ANODIZE FINISH.
 OPTIONAL .080" THICKNESS AND TYPE 5005 H34 ALLOY WITH MILL FINISH ARE ALSO AVAILABLE. PLEASE ADVISE IF AN OPTIONAL THICKNESS OR FINISH IS REQUIRED.
 OPTIONAL POWDER COAT FINISHES ARE AVAILABLE. PLEASE ADVISE OPTIONAL POWDER COAT FINISH IF REQUIRED.

UNITS REQ'D	UNIT HEIGHT	ANGLE	LEG LENGTH	NOSE RAD.

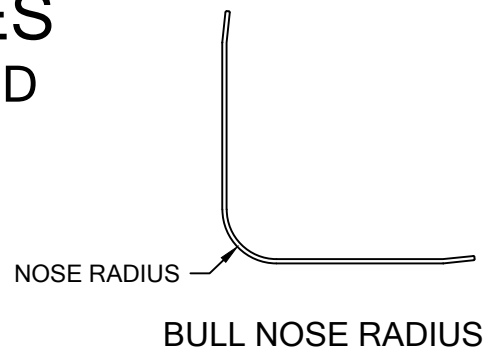
NOTES:


- CORNER GUARDS ARE SHIPPED WITH A PROTECTIVE STRIPPABLE COATING.
- CO-8 CORNER GUARDS HAVE A STANDARD ANGLE OF 90°, LEG LENGTH OF 3 1/2" [89.0mm] AND A STANDARD NOSE RADIUS OF 3/16" [4.8mm]. CO-8M CORNER GUARDS HAVE A STANDARD ANGLE OF 135°, LEG LENGTH OF 3 1/2" [89.0mm] AND A STANDARD NOSE RADIUS OF 3/16" [4.8mm]. PLEASE ADVISE IF A DIFFERENT LEG LENGTH, ANGLE OR BULL NOSE RADIUS (AVAILABLE IN 1/2" [12.7mm] AND 3/4" [19.15mm] RADIUS) IS DESIRED.
- CORNER GUARDS HAVE A MINIMUM LEG LENGTH OF 2" [50.8mm] AND MINIMUM NOSE RADIUS OF 3/16" [4.8mm].
- ANGLES ONLY AVAILABLE BETWEEN 45° - 178°.
- CORNER GUARDS CAN BE USED AT FULL OR PARTIAL HEIGHTS. PLEASE ADVISE SPECIFIED UNIT HEIGHT.



ACO-8 SERIES CHANNEL GUARD WITH FASTENERS

WALL CONDITION	SPECIFIED FASTENER	DRILL DIAMETERS		CS PART NUMBER
		WALL	RETAINER	
CONCRETE/CONCRETE BLOCK	#10 X 1 1/2" S/S PHILLIPS FLAT HEAD WOOD SCREW AF-8 PLASTIC ANCHORS	1/4"	N/A	90H009002 90H049004
STEEL STUD/GYPSUM WALL	#10 X 1 1/2" S/S PHILLIPS FLAT HEAD WOOD SCREW	1/8"	N/A	90H009002
WOOD STUD/GYPSUM WALL	#10 X 1 1/2" S/S PHILLIPS FLAT HEAD WOOD SCREW	N/A	N/A	90H009002



 Hughesville, PA 800.233.8493 570.546.5941 Mississauga, ON 888.895.8955 905.274.3611 www.c-sgroup.com © Copyright 2018 Construction Specialties, Inc.	PROJECT:	REVISION:
	JOB NO.:	F&F:
	CUSTOMER:	
	REP:	DATE:
	DRAWN BY:	SHEET NO: