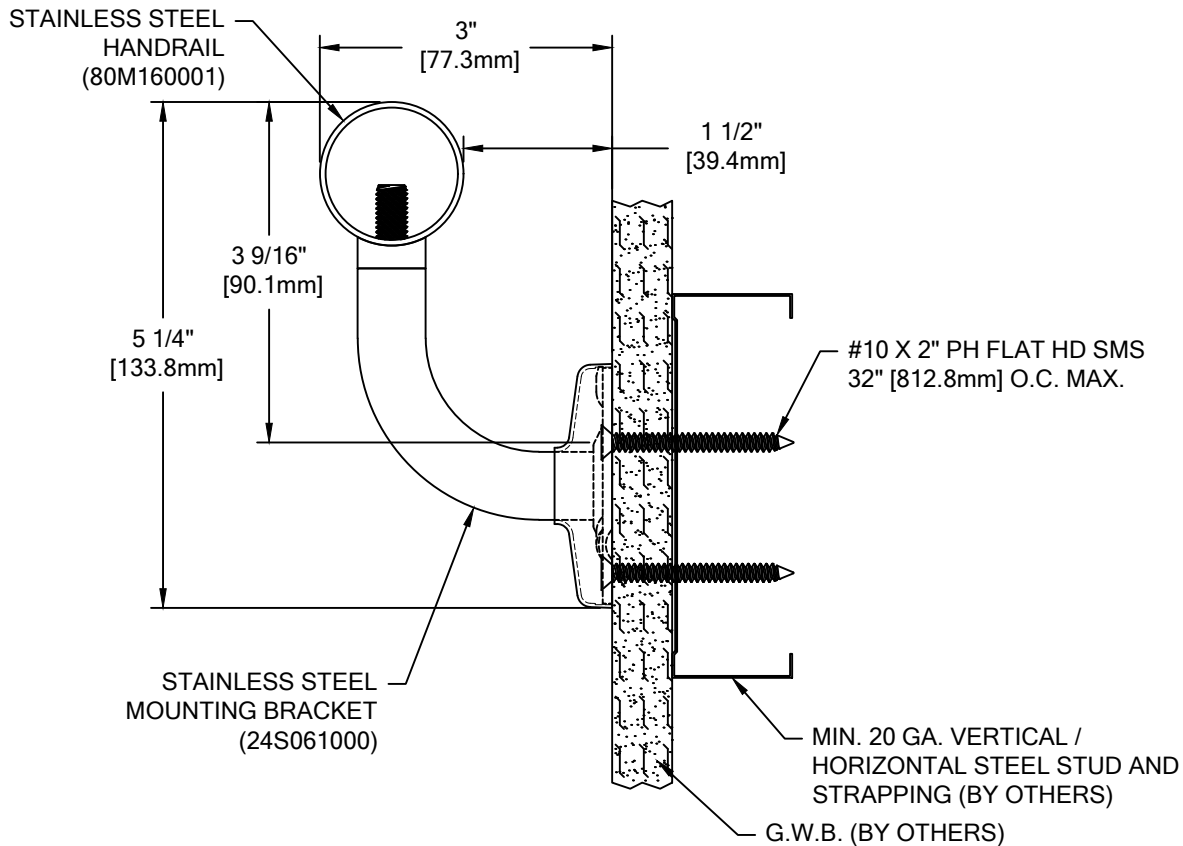


**COLOR:**  
**\*TOP RAIL:**  
 \*TOP RAIL/CAPS/CORNERS ARE AVAILABLE WITH AN OPTIONAL POWDER COAT FINISH. PLEASE ADVISE POWDER COAT FINISH IF REQUIRED.


**NOTE:** STAINLESS STEEL CORNERS OTHER THAN 90° ARE UNAVAILABLE FOR THIS MODEL. THIS MODEL IS FABRICATED CUT-TO-SIZE, THEREFORE FIELD VERIFIED DIMENSIONS ARE REQUIRED.

TOTAL L/F REQ'D	END CAPS	I.S.C. REQ'D	O.S.C. REQ'D



# HRS-6C

WALL CONDITION	SPECIFIED FASTENER	DRILL DIAMETERS		CS PART NUMBER
		WALL	RETAINER	
STEEL STUD/GYPUSM WALL	#10 X 2" PHILLIPS FLAT HEAD SHEET METAL SCREW	1/16"	N/A	90H431002
CONCRETE/CONC. BLOCK	1/4" X 2 1/4" HEX HEAD MASONRY	3/16"	N/A	90H027004
WOOD STUD/GYPSUM WALL	#10 x 2-1/4" PHILLIPS PAN HEAD SMS	N/R	N/A	90H421008
20 GA. STEEL STUD/GYPSUM WALL (OSHPD)	1/4-20 X 3" FLAT HEAD BOLT 1/4" TOGGLER WING 3M MOLDABLE FIRE PUTTY	1/2"	N/A	90H282002 90H062004 90M012000

 <p>Hughesville, PA   800.233.8493   570.546.5941          Mississauga, ON   888.895.8955   905.274.3611  <a href="http://www.c-sgroup.com">www.c-sgroup.com</a></p> <p>© Copyright 2019 Construction Specialties, Inc.</p>	<b>PROJECT:</b>	<b>REVISION:</b>
	<b>JOB NO.:</b>	<b>F&amp;F:</b>
	<b>CUSTOMER:</b>	
	<b>REP:</b>	<b>DATE:</b>
	<b>DRAWN BY:</b>	<b>SHEET NO:</b>