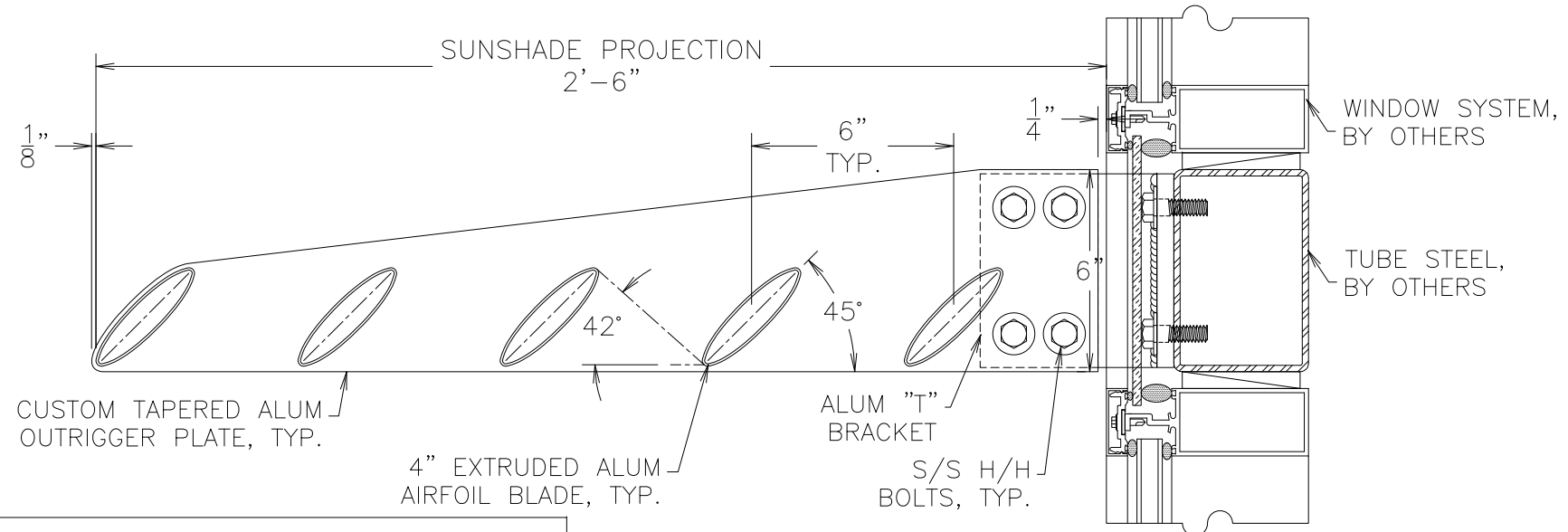


PLAN VIEW DETAIL OF CUSTOM CANTILEVER AIRFOIL SUNSHADE SYSTEM

WALL CONDITION IS ASSUMED



CUSTOM TAPERED ALUM OUTRIGGER PLATE, TYP.

4" EXTRUDED ALUM AIRFOIL BLADE, TYP.

ALUM "T" BRACKET

S/S H/H BOLTS, TYP.

WINDOW SYSTEM, BY OTHERS

TUBE STEEL, BY OTHERS

SUNSHADE DESIGNS MUST MEET LOCAL CODE REQUIREMENTS PLEASE CONTACT C/S REPRESENTATIVE IN YOUR AREA FOR ASSISTANCE.

SECTION VIEW DETAIL OF CUSTOM CANTILEVER AIRFOIL SUNSHADE SYSTEM 100-3C-13

THIS DOCUMENT IS THE PROPERTY OF CONSTRUCTION SPECIALTIES, INC., WHICH CONTAINS CONFIDENTIAL PROPRIETARY INFORMATION THAT IS NOT TO BE DISCLOSED TO A THIRD PARTIES, AND IS NOT TO BE USED WITHOUT WRITTEN APPROVAL FROM CONSTRUCTION SPECIALTIES, INC.



**Construction Specialties™**  
49 Meeker Avenue, Cranford, NJ 07016-3198  
Phone (800)-526-6930 / Fax (908)-272-6038

PROJECT:	SCALE: 3/16" = 1"
LOCATION:	DSGN & DRW BY: MENA MORCOS
ARCH'S:	DATE:
AGENT:	DRW NO : 13