

# SGP & SGPW

## TECHNICAL DATA:

### Aluminum

- Extrusion – CS uses multiple alloys & tempers which are established to be the most appropriate for the given use of individual parts. Will be one of the following: (6063-T5, T6, T52) (6061-T5, T6, T51) (6105-T5, T6) (6005-T5) (6005A-T5, T61), ASTM B221
- Sheet – 6061-T6, 3003-H14, 5005-H34, ASTM B209

### Primary Seal

- Dual Durometer 65 Shore A, 90 Shore A, ASTM D2240
- Available in 5 Standard colors

### Turnbar

- Material – 1075 Blue Temper Spring Steel
- Hardness - RC 44-47
- Finish - "A" Coating (Corrosion Protection)

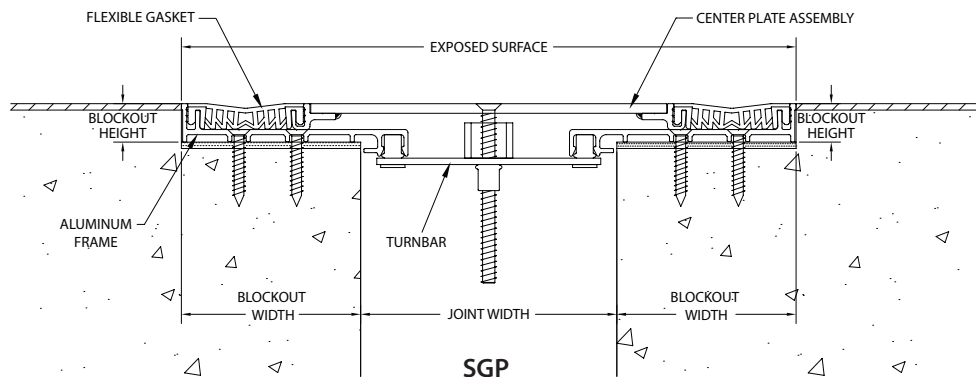
### Standard Loading

- 500 lbs.



| MODEL    | JOINT WIDTH    | MINIMUM OPENING | MAXIMUM OPENING | EXPOSED SURFACE | BLOCKOUT WIDTH | BLOCKOUT HEIGHT |
|----------|----------------|-----------------|-----------------|-----------------|----------------|-----------------|
| SGP-500  | 5.00" (127mm)  | 2.75" (70mm)    | 9.00" (229mm)   | 12.00" (305mm)  | 3.50" (89mm)   | 0.75" (19mm)    |
| SGP-600  | 6.00" (152mm)  | 2.75" (70mm)    | 9.25" (235mm)   | 13.00" (330mm)  | 3.50" (89mm)   | 0.75" (19mm)    |
| SGP-700  | 7.00" (178mm)  | 2.75" (70mm)    | 12.25" (311mm)  | 15.00" (381mm)  | 4.00" (102mm)  | 0.75" (19mm)    |
| SGP-800  | 8.00" (203mm)  | 2.75" (70mm)    | 13.25" (337mm)  | 16.00" (406mm)  | 4.00" (102mm)  | 0.75" (19mm)    |
| SGP-900  | 9.00" (229mm)  | 2.75" (70mm)    | 14.13" (359mm)  | 18.00" (457mm)  | 4.50" (114mm)  | 0.75" (19mm)    |
| SGP-1000 | 10.00" (254mm) | 2.75" (70mm)    | 16.25" (413mm)  | 19.00" (483mm)  | 4.50" (114mm)  | 0.75" (19mm)    |
| SGP-1100 | 11.00" (279mm) | 2.75" (70mm)    | 18.13" (461mm)  | 21.00" (533mm)  | 5.00" (127mm)  | 0.75" (19mm)    |
| SGP-1200 | 12.00" (305mm) | 2.75" (70mm)    | 18.38" (467mm)  | 22.00" (559mm)  | 5.00" (127mm)  | 0.75" (19mm)    |
| SGP-1300 | 13.00" (330mm) | 2.75" (70mm)    | 21.25" (540mm)  | 24.00" (610mm)  | 5.50" (140mm)  | 0.75" (19mm)    |
| SGP-1400 | 14.00" (356mm) | 2.75" (70mm)    | 22.25" (565mm)  | 25.00" (635mm)  | 5.50" (140mm)  | 0.75" (19mm)    |
| SGP-1500 | 15.00" (381mm) | 2.75" (70mm)    | 22.75" (578mm)  | 27.00" (686mm)  | 6.00" (152mm)  | 0.75" (19mm)    |
| SGP-1600 | 16.00" (406mm) | 2.75" (70mm)    | 25.25" (641mm)  | 28.00" (711mm)  | 6.00" (152mm)  | 0.75" (19mm)    |

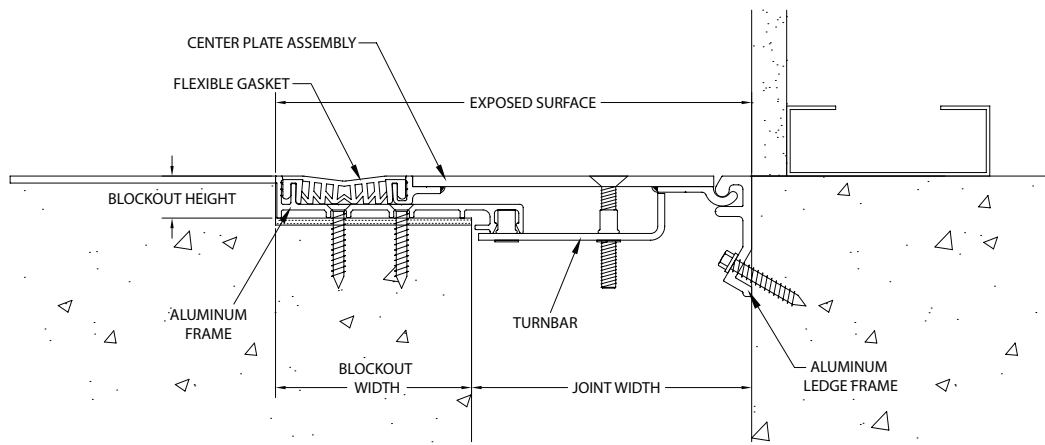
Call factory for joints larger than 16"



# SGP & SGPW

| MODEL     | JOINT WIDTH    | MINIMUM OPENING | MAXIMUM OPENING | EXPOSED SURFACE | BLOCKOUT WIDTH | BLOCKOUT HEIGHT |
|-----------|----------------|-----------------|-----------------|-----------------|----------------|-----------------|
| SGPW-500  | 5.00" (127mm)  | 3.56" (90mm)    | 6.56" (167mm)   | 8.50" (216mm)   | 3.50" (89mm)   | 0.75" (19mm)    |
| SGPW-600  | 6.00" (152mm)  | 4.06" (103mm)   | 7.75" (197mm)   | 9.50" (241mm)   | 3.50" (89mm)   | 0.75" (19mm)    |
| SGPW-700  | 7.00" (178mm)  | 4.94" (125mm)   | 9.69" (246mm)   | 11.00" (279mm)  | 4.00" (102mm)  | 0.75" (19mm)    |
| SGPW-800  | 8.00" (203mm)  | 5.44" (138mm)   | 10.63" (270mm)  | 12.00" (305mm)  | 4.00" (102mm)  | 0.75" (19mm)    |
| SGPW-900  | 9.00" (229mm)  | 5.94" (151mm)   | 11.56" (294mm)  | 13.50" (343mm)  | 4.50" (114mm)  | 0.75" (19mm)    |
| SGPW-1000 | 10.00" (254mm) | 6.44" (164mm)   | 13.13" (334mm)  | 14.50" (368mm)  | 4.50" (114mm)  | 0.75" (19mm)    |
| SGPW-1100 | 11.00" (279mm) | 6.94" (176mm)   | 14.63" (372mm)  | 16.00" (406mm)  | 5.00" (127mm)  | 0.75" (19mm)    |
| SGPW-1200 | 12.00" (305mm) | 7.44" (189mm)   | 15.25" (387mm)  | 17.00" (432mm)  | 5.00" (127mm)  | 0.75" (19mm)    |
| SGPW-1300 | 13.00" (330mm) | 7.94" (202mm)   | 17.13" (435mm)  | 18.50" (470mm)  | 5.50" (140mm)  | 0.75" (19mm)    |
| SGPW-1400 | 14.00" (356mm) | 8.44" (214mm)   | 18.13" (461mm)  | 19.50" (495mm)  | 5.50" (140mm)  | 0.75" (19mm)    |
| SGPW-1500 | 15.00" (381mm) | 8.94" (227mm)   | 18.75" (476mm)  | 21.00" (533mm)  | 6.00" (152mm)  | 0.75" (19mm)    |
| SGPW-1600 | 16.00" (406mm) | 9.44" (240mm)   | 20.63" (524mm)  | 22.00" (559mm)  | 6.00" (152mm)  | 0.75" (19mm)    |

Call factory for joints larger than 16"



SGPW