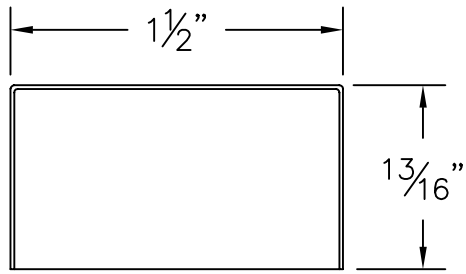
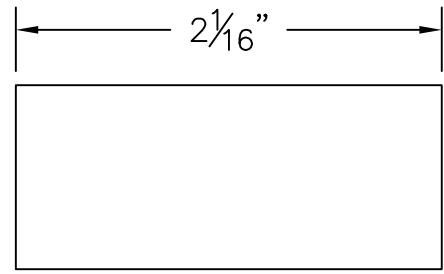


CARRIER STOP

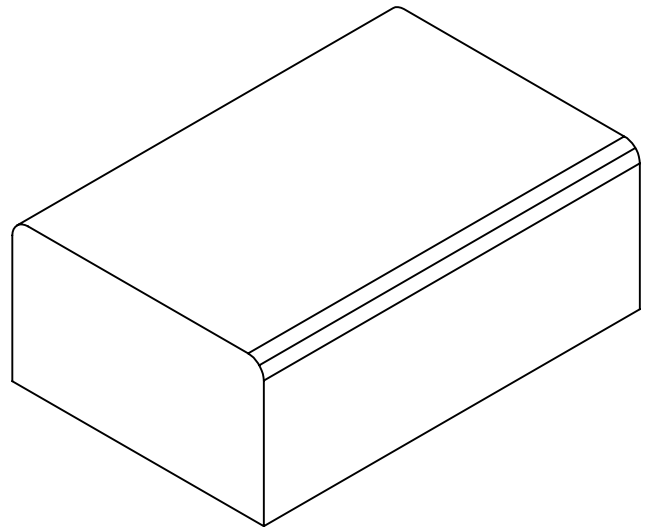
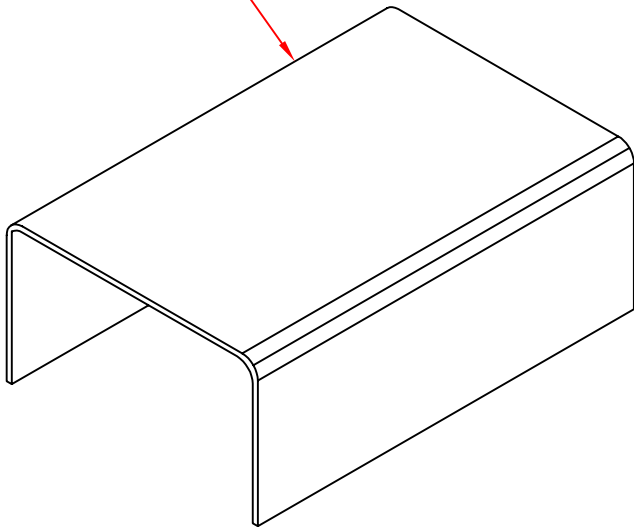


FRONT VIEW

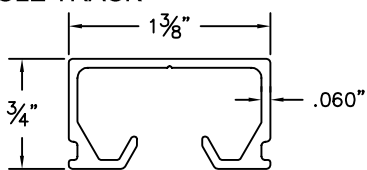
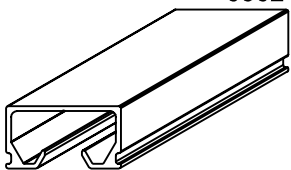


SIDE VIEW

NYLON OR ALUMINUM



6062 CUBICLE TRACK



DRAWING BY: CDL

DATE: 10/5/2016

CS™ Cubicle Curtains