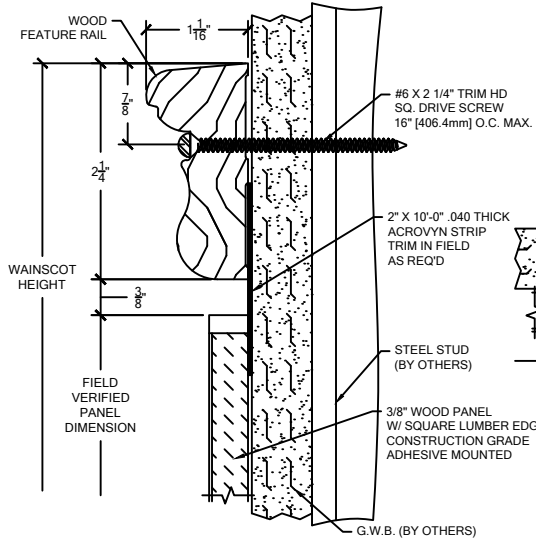
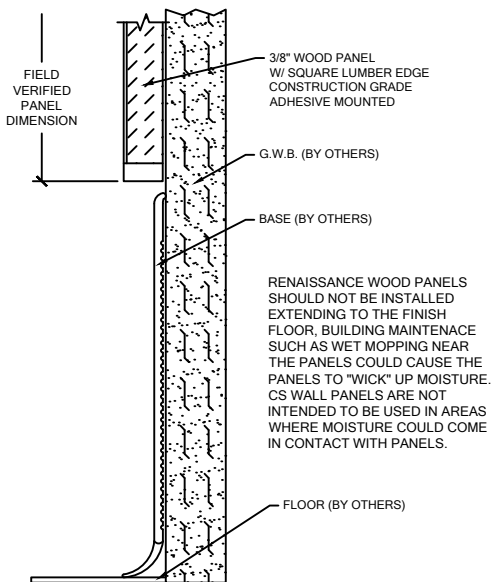


NOTES:

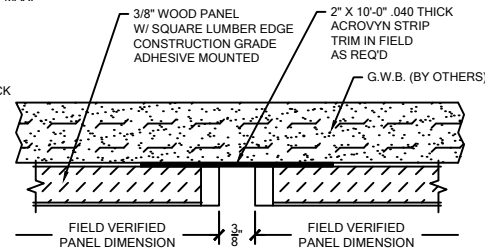
1. MAXIMUM SQUARE LUMBER EDGE PANEL SIZE IS 48" X 120".
2. ALL WALL PANELS HAVE A NOMINAL THICKNESS OF 3/8".
3. WOOD GRAIN DIRECTION IS PARALLEL TO THE 120" SIDE OF A VENEER EDGE PANEL UNLESS OTHERWISE NOTED.
4. SEE INDIVIDUAL FEATURE RAIL TEAR SHEET FOR ORDERING INFORMATION.
5. PANEL SYSTEM IS DESIGNED TO BE FACTORY CUT. THEREFORE FIELD VERIFIED DIMENSIONS ARE REQUIRED.



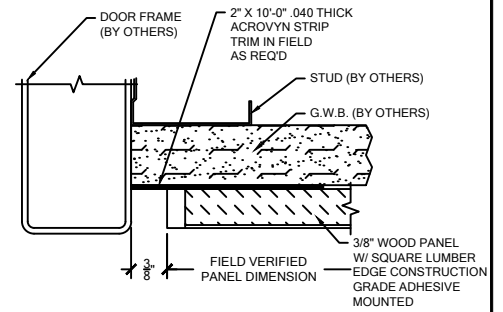
WOOD WAINSCOT



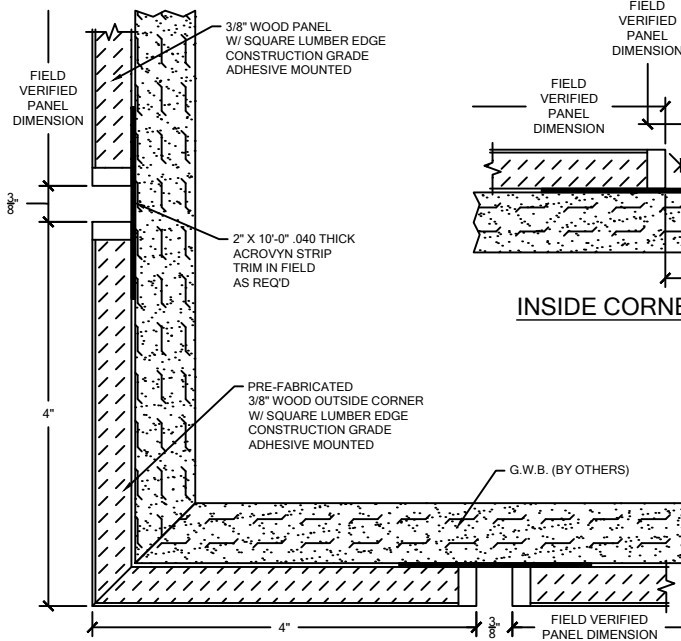
BASE CONDITION



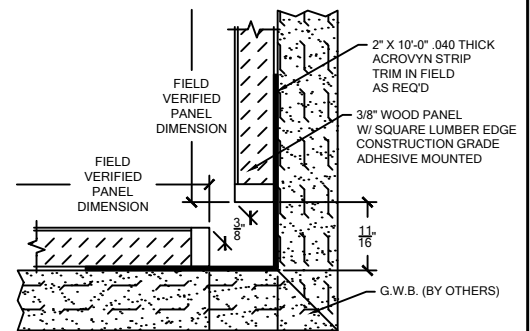
VERTICAL REVEAL



END REVEAL



OUTSIDE CORNER



INSIDE CORNER CONDITION

RENAISSANCE WOOD PANELS SHOULD NOT BE INSTALLED EXTENDING TO THE FINISH FLOOR, BUILDING MAINTENANCE SUCH AS WET MOPPING NEAR THE PANELS COULD CAUSE THE PANELS TO "WICK" UP MOISTURE. CS WALL PANELS ARE NOT INTENDED TO BE USED IN AREAS WHERE MOISTURE COULD COME IN CONTACT WITH PANELS.

SQUARE LUMBER EDGE RENAISSANCE WALL PANELS AT PARTIAL HEIGHT



CS WALL PANELS ARE UL RATED AND MEET CLASS A/1 FIRE RATING WHEN TESTED IN ACCORDANCE WITH ASTM-E84

PROJECT:	REVISION:
JOB NO.:	F&F:
CUSTOMER:	
REP:	DATE:
DRAWN BY:	SHEET NO:



Hughesville, PA | 800.233.8493 | 570.546.5941
Mississauga, ON | 888.895.8955 | 905.274.3611
www.c-sgroup.com

© Copyright 2017 Construction Specialties, Inc.