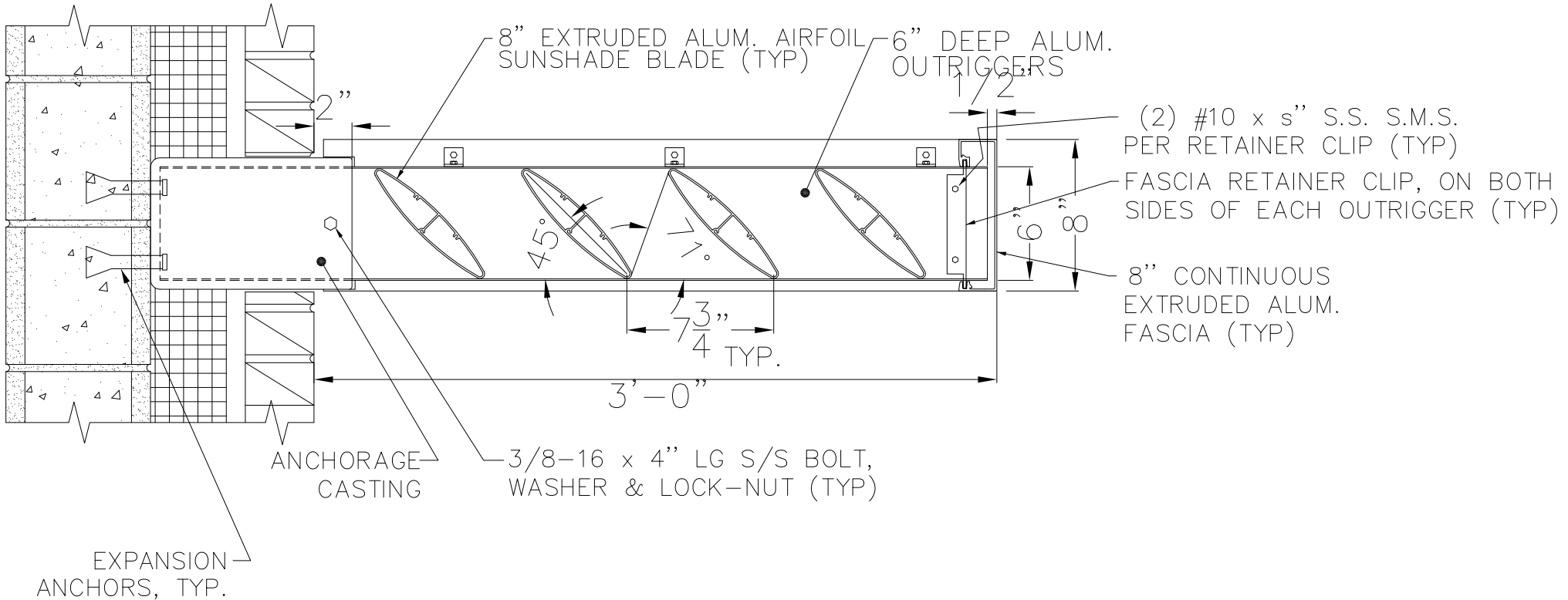


SUNSHADE DESIGNS MUST MEET LOCAL CODE REQUIREMENTS
PLEASE CONTACT C/S REPRESENTATIVE IN YOUR AREA
FOR ASSISTANCE.



SECTION DETAIL THROUGH
CANTILEVER SUNSHADE SYSTEM

100-3C-6 SECTION



Construction Specialties™

49 Meeker Avenue, Cranford, NJ 07016-3198
Phone (800)-526-6930 / Fax (908)-272-6038

PROJECT:

CUSTOMER:

ARCH'T:

AGENT:

REV. BY:

DSGN & DRW BY: MENA MORCOS

DATE:

DRW NO : 1 OF 2