

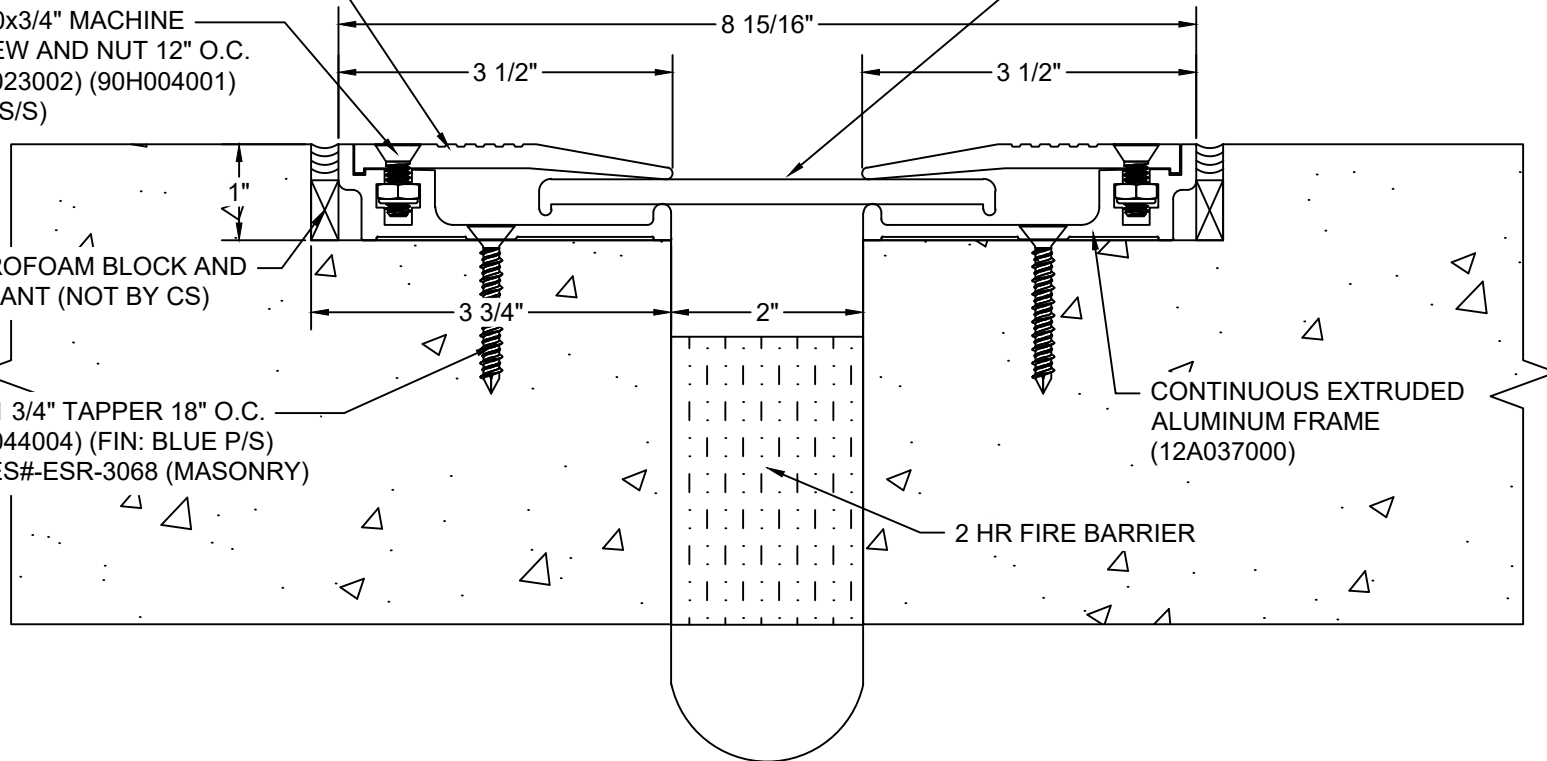
CONTINUOUS EXTRUDED
ALUMINUM SERRATED
COVER PLATE (12A038000)

1/4-20x3/4" MACHINE
SCREW AND NUT 12" O.C.
(90H023002) (90H004001)
(FIN: S/S)

STYROFOAM BLOCK AND
SEALANT (NOT BY CS)

1/4"x1 3/4" TAPPER 18" O.C.
(90H044004) (FIN: BLUE P/S)
ICC-ES#-ESR-3068 (MASONRY)

CONTINUOUS EXTRUDED
ALUMINUM CENTER PLATE
(12A039000)



Model: AL-200HD W/ FB



Construction Specialties®

www.c-sgroup.com

6696 Route 405 Highway, Muncy, PA 17756
Phone: (800) 233-8493 / Fax: (570) 546-8022

895 Lakefront Promenade, Mississauga, Ontario L5E 2C2 Canada
Phone: (888) 895-8955 / Fax: (905) 274-6241

© Copyright 2018 Construction Specialties, Inc.

PROJECT:	SCALE: NTS
CUSTOMER:	DATE:
LOCATION:	JOB NO.:
DRAWN BY:	SHEET NO.: