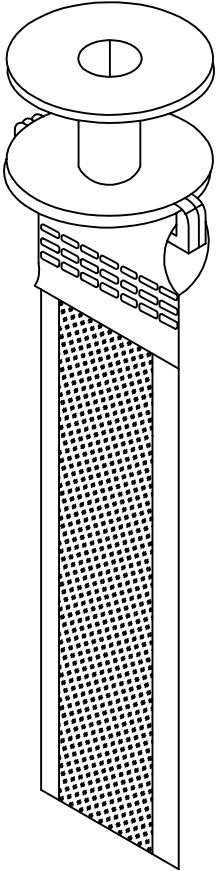
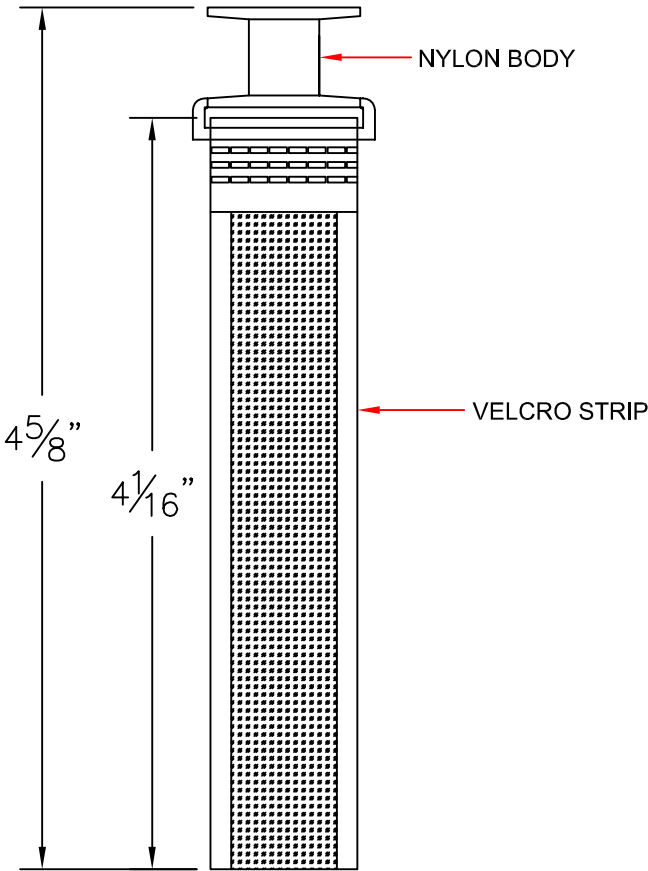
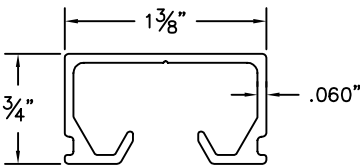
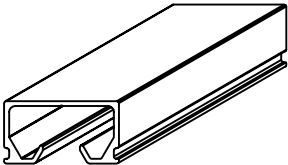


SP062 SPOOL WITH VELCRO



6062 CUBICLE TRACK



DRAWING BY: CDL

DATE: 10/5/2016