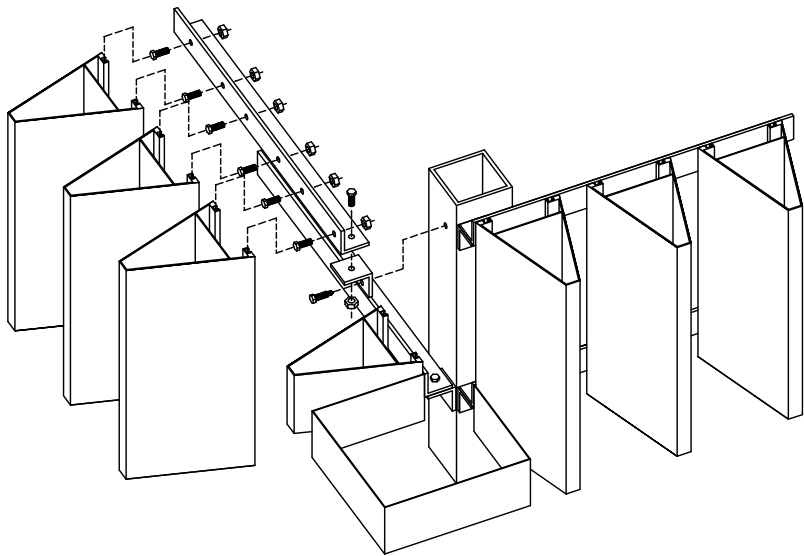


VERT-A-CADE 8000



Revisions				Drawn By	Job:	
No.	Date	By		Checked By	Contr.:	
				Date Approv	Arch't.:	
				Scale	Agent:	
				Date	CONSTRUCTION SPECIALTIES, INC. 49 MEEKER AVENUE, CRANFORD, NEW JERSEY	
					Sheet Of	
					Drawing No.	

THIS DOCUMENT IS THE PROPERTY OF CONSTRUCTION SPECIALTIES, INC. AND CONTAINS CONFIDENTIAL PROPRIETARY INFORMATION THAT IS NOT TO BE DICLUSED TO THIRD PARTIES AND IS NOT TO BE USED WITHOUT APPROVAL IN WRITING FROM CONSTRUCTION SPECIALTIES, INC.