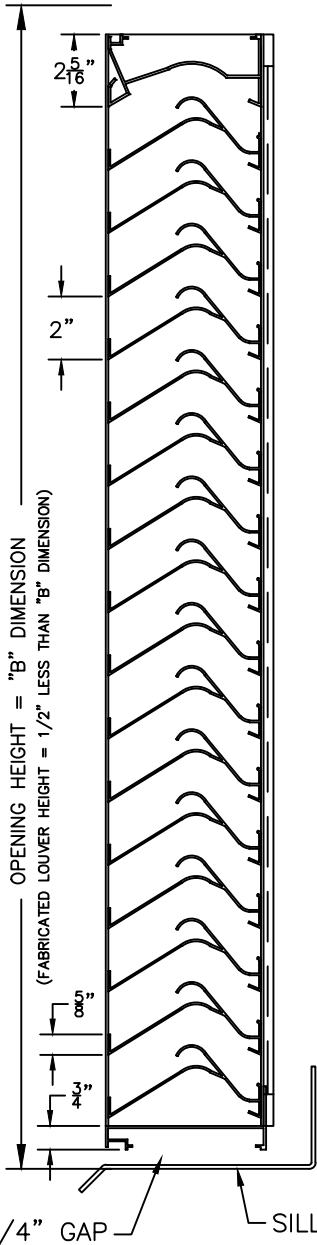
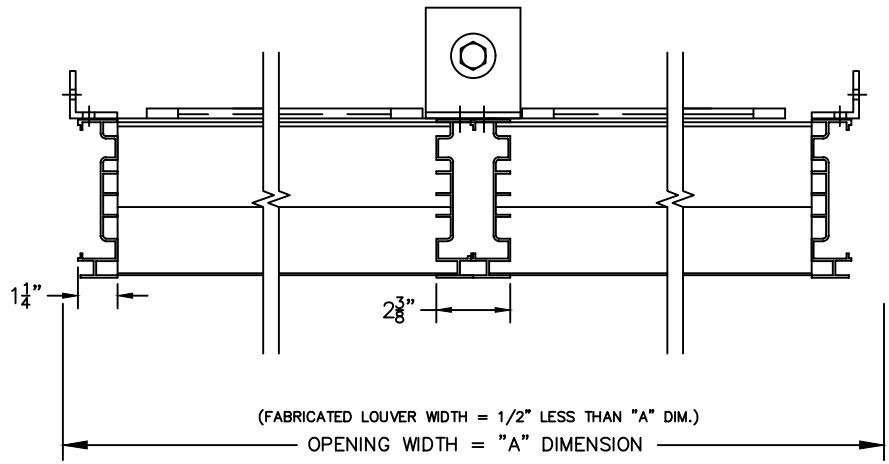


STORM RESISTANT LOUVERS – MODEL RSH-5700



VERTICAL SECTION



PLAN VIEW

SCREENS

- SCREEN NOT REQUIRED
- SCREEN REQUIRED
- INTERIOR MOUNTED
- EXTERIOR MOUNTED
- BIRDSCREEN: 1/2" MESH
.063 DIA. ALUM. WIRE
(MILL FINISH)
- INSECT SCREEN: 18x16
ALUM. MESH (MILL FINISH)

FINISHES

- STANDARD MILL
- FLUOROPOLYMER POWDER COAT
(NOT AVAILABLE IN 600XL OR 700)
- KYNAR (500),(600XL) or (700)
- (1) OF CS STD. COLORS
- CUSTOM COLOR, CS REQUIRES
A COLOR CHIP FOR MATCHING
- BRONZE ANODIC (DARK OR MED.)
- CLEAR ANODIZE
- OTHER _____

CS EXTRUDED ALUMINUM STORM RESISTANT LOUVER 5" DEEP MODEL RSH-5700. FRAMES AND BLADES TO BE FABRICATED FROM 6063-T6 ALLOY. FRAME COMPONENTS TO HAVE A NOMINAL .081" MATERIAL THICKNESS. BLADES TO HAVE A .060" MATERIAL THICKNESS.

ALL FASTENERS TO BE STAINLESS STEEL.

UNSUPPORTED BLADE LENGTH = @ PSF.

MARK	QTY.	"A" DIM.	"B" DIM.	NUMBER OF MULLIONS	LOCATION	REMARKS

<p>Construction Specialties, Inc. 3 Werner Way Lebanon, New Jersey 08833 800-233-8493</p>	<p>PROJECT: _____</p> <p>CUSTOMER: _____</p> <p>ARCH'T: _____</p> <p>AGENT: _____</p>	<p>CKD. BY: _____</p> <p>DRAWN BY: _____</p> <p>DATE: _____</p> <p>DWG. NO: _____</p> <p>SHEET OF _____</p>
--	---	--