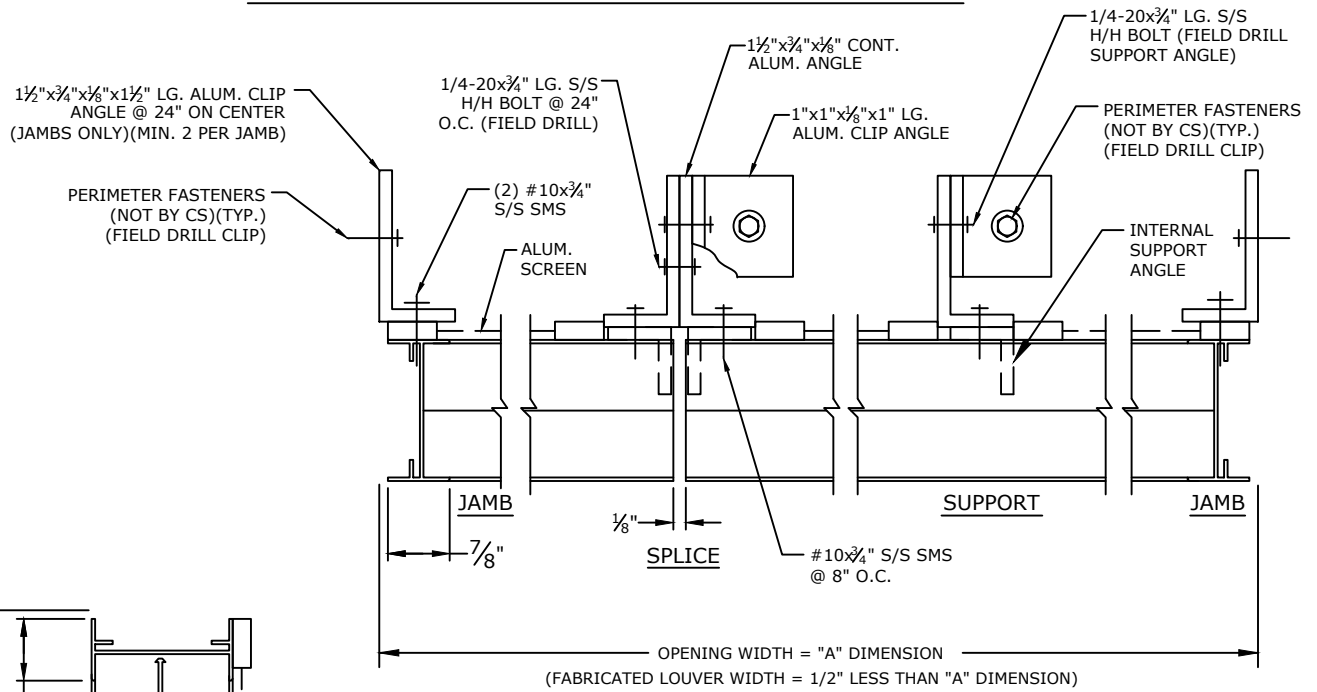
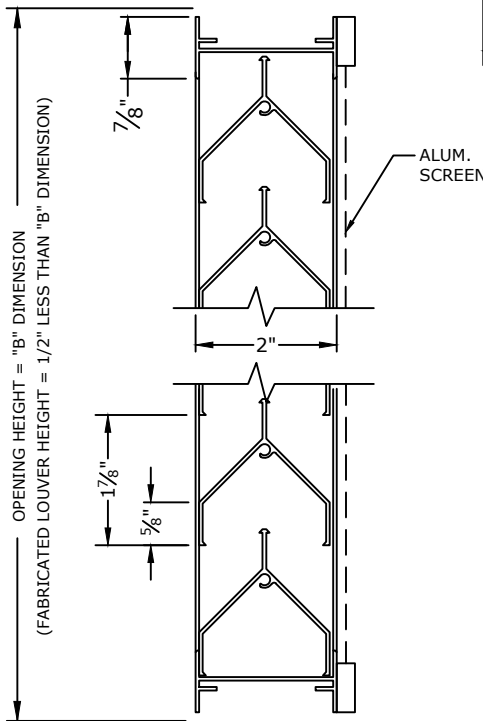


THINLINE LOUVER MODEL 2282



PLAN VIEW
NTS



VERTICAL SECTION
NTS

SCREENS

- SCREEN NOT REQUIRED
- SCREEN REQUIRED
- INTERIOR MOUNTED
- EXTERIOR MOUNTED
- BIRDSCREEN: 1/2" MESH .063 DIA. ALUM. WIRE (MILL FINISH)
- INSECT SCREEN: 18x16 ALUM. MESH (MILL FINISH)

FINISHES

- STANDARD MILL
- FLUOROPOLYMER POWDER COAT (NOT AVAILABLE IN 600XL OR 700)
- KYNAR (500), (600XL) or (700)
 - (1) OF CS STD. COLORS
 - CUSTOM COLOR, CS REQUIRES A COLOR CHIP FOR MATCHING
- BRONZE ANODIC (DARK OR MED.)
- CLEAR ANODIZE
- OTHER _____

CS EXTRUDED ALUMINUM THINLINE LOUVER MODEL 2282 WITH "A" FRAME. FRAME AND BLADES TO BE FABRICATED FROM 6063-T6 ALLOY. ALL FASTENERS TO BE STAINLESS STEEL.

UNSUPPORTED BLADE LENGTH = @ PSF.

MARK	QTY.	"A" DIM.	"B" DIM.	NUMBER OF INTERNAL SUPPORTS	NUMBER OF EXTERNAL SUPPORTS	NUMBER OF SPLICES	LOUVER LOCATION	REMARKS
CHECKED BY:								

Construction Specialties, Inc.
3 Werner Way
Lebanon, New Jersey 08833
(800) 233-8493

PROJECT:	DRAWN BY:	
CUSTOMER:	DATE:	
ARCH'T:	DWG. NO:	
AGENT:	SHEET OF	