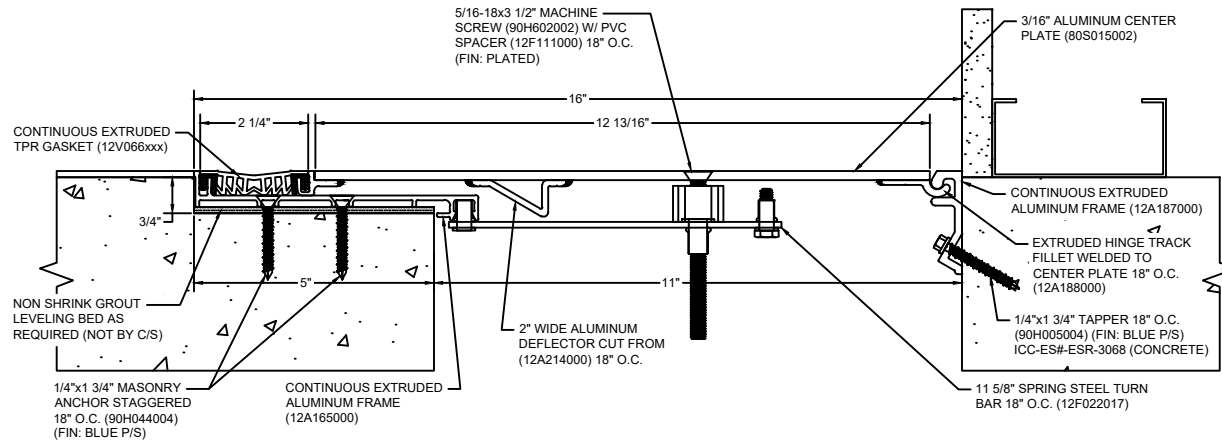




\*\*\* CUSTOM COLORS ARE AVAILABLE AT AN ADDITIONAL CHARGE, SUBJECT TO MINIMUM QUANTITIES. \*\*\*



# Model: SGPW-1100

**CS** **Construction Specialties®**  
[www.c-sgroup.com](http://www.c-sgroup.com)  
 6696 Route 405 Highway, Muncy, PA 17756  
 Phone: (800) 233-8493 / Fax: (570) 546-8022  
 895 Lakefront Promenade, Mississauga, Ontario L5E 2C2 Canada  
 Phone: (888) 895-8955 / Fax: (905) 274-6241

© Copyright 2018 Construction Specialties, Inc.

|                  |                   |
|------------------|-------------------|
| <b>PROJECT:</b>  | <b>SCALE:</b> NTS |
| <b>CUSTOMER:</b> | <b>DATE:</b>      |
| <b>LOCATION:</b> | <b>JOB NO.:</b>   |
| <b>DRAWN BY:</b> | <b>SHEET NO.:</b> |