

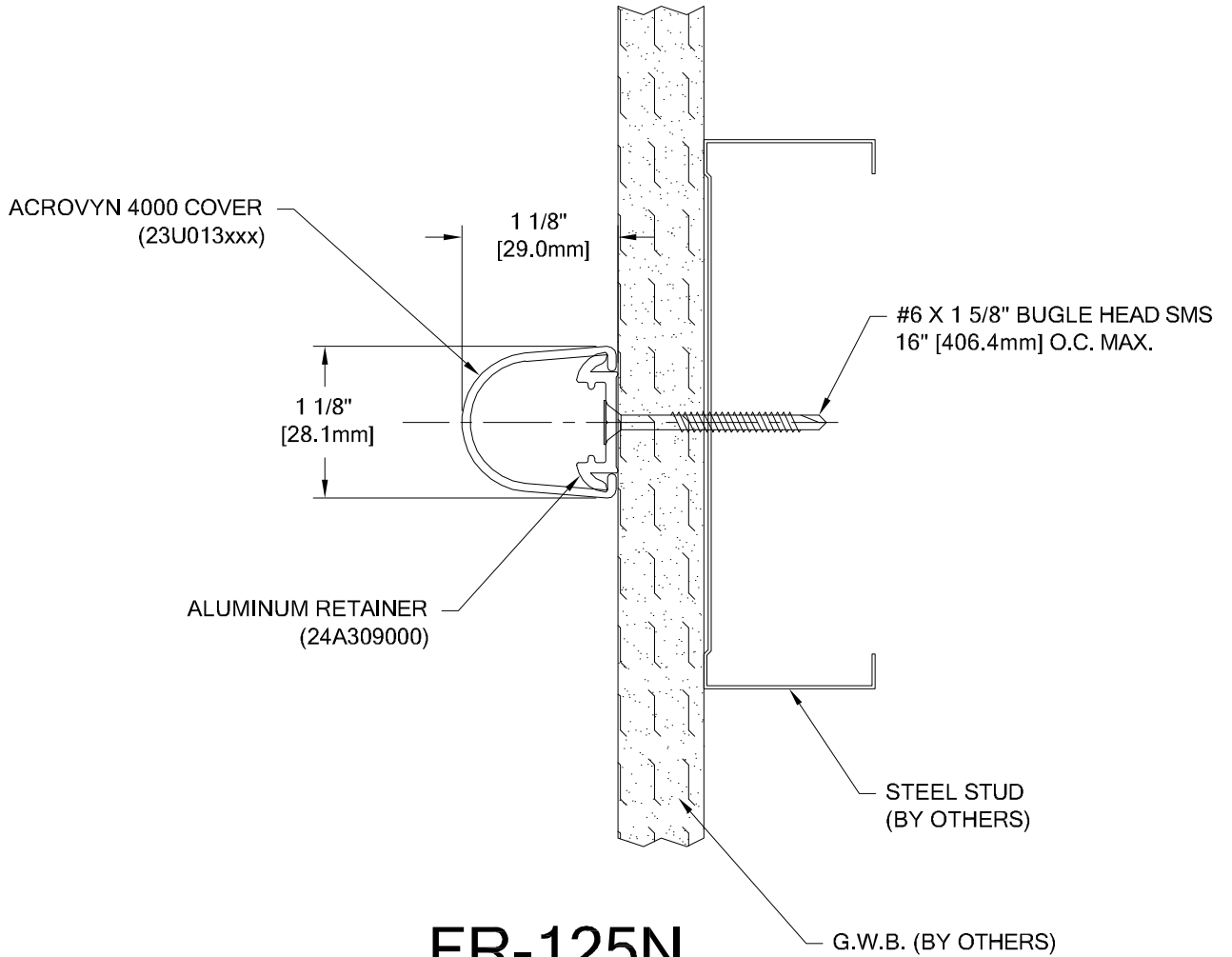
**COLOR:** \_\_\_\_\_

(COLOR TO BE SELECTED FROM ONE OF C/S STANDARD COLORS.)

TOTAL  
L/F REQ'D


END  
CAPS

90°  
O.S.



**FR-125N  
ACROVYN 4000**

WALL CONDITION	SPECIFIED FASTENER	DRILL DIAMETERS		C/S PART NUMBER
		WALL	RETAINER	
STEEL STUD/GYPSUM WALL	#6 x 1 5/8" BUGLE HEAD SELF-DRILLING SMS	NA	1/8"	90H079002
CONCRETE/CONC. BLOCK	#10 x 1 1/2" PHILLIPS PAN HEAD SMS AF-6 PLASTIC ANCHORS	1/4"	1/8"	90H189002 90H039004
WOOD STUD/GYPSUM WALL	#6 x 1 5/8" BUGLE HEAD SELF-DRILLING SMS	N/A	1/8"	90H079002

 <p><b>Construction Specialties™</b> 6696 Route 405 Highway, Muncy PA 17756 (800) 233-8493 • Fax (570) 546-4692 • www.c-sgroup.com</p>	<b>PROJECT:</b>	<b>REVISION:</b>
	<b>JOB NO.:</b>	<b>F&amp;F:</b>
	<b>CUSTOMER:</b>	
	<b>REP:</b>	<b>DATE:</b>
	<b>DRAWN BY:</b>	<b>SHEET NO:</b>