

**Acrovyn® Doors**

**Table of Contents**

Overview of Acrovyn Door Systems.....2  
 Performance Attributes.....3  
 LEED v4.0 Contributions.....4  
 LEED 2009 v3.0 Contributions.....5  
 Lite Kit Options.....6  
     Lite Kit Options (Cont.).....7  
 Louvers - Non-Rated.....8  
 Louvers - Fire Rated.....9  
 Door Edge Options.....10  
 Astragal Options.....11  
 Standard Panel Door Designs.....12  
     Panel Door Details.....13 - 20

**Product Data Sheets**

Non-Rated Lightweight Core (FC5-NR).....21  
 Non-Rated Agrifiber (AF5-NR).....22  
 Non-Rated FSC Particleboard (FSC-PC5-NR).....23  
 Non-Rated Particleboard (PC5-NR).....24  
 Non-Rated SCL (SCL5-NR).....25  
 Non-Rated Panel Door (PN SCL5-NR).....26  
 Non-Rated Barrier Resistant (BR SCL5-NR).....27  
     Barrier Resistant Door Details.....28  
 Non-Rated Dutch Door (DD SCL5-NR).....29  
 Non-Rated STC30 (SCL5-NR STC 30).....30  
 Non-Rated STC43-46 (SCL5-NR STC 43-46).....31  
 20 Minute Rated Agrifiber (AF5-20PP).....32  
 20 Minute Rated FSC Particleboard (FSC PC5-20PP).....33  
 20 Minute Rated Particleboard (PC5-20PP).....34  
 20 Minute Rated SCL (SCL5-20PP).....35  
 20 Minute Rated Panel Door (PN SCL5-20PP).....36  
 20 Minute Rated Barrier Resistant (BR SCL5-20PP).....37  
 20 Minute Rated Dutch Door (DD SCL5-20PP).....38

**Product Data Sheets (Cont.)**

45 Minute Rated Mineral (FD5-45PP).....39  
 45 Minute Rated Mineral STC35/34 (FD5-45PP STC 35/34).....40  
 45 Minute Rated Panel Door (PN FD7-45PP).....41  
 60 Minute Rated Mineral (FD5-60PP).....42  
 60 Minute Rated Mineral STC35/34 (FD5-60PP STC 35/34).....43  
 60 Minute Rated Panel Door (PN FD7-60PP).....44  
 90 Minute Rated Mineral (FD5-90PP).....45  
 90 Minute Rated Mineral STC36 (FD5-90PP STC 36).....46  
 Lead Lined, Non-Rated FSC Particleboard (LL FSC7-NR).....47  
 Lead Lined, Non-Rated Particleboard (LL PC7-NR).....48  
 Lead Lined, Non-Rated SCL (LL SCL7-NR).....49  
 Lead Lined, 20 Minute Rated FSC Particleboard (LL FSC7-20PP).....50  
 Lead Lined, 20 Minute Rated Particleboard (LL PC7-20PP).....51  
 Lead Lined, 45 Minute Rated Mineral (LL FD7-45PP).....52  
 Lead Lined, 60 Minute Rated Mineral (LL FD7-60PP).....53  
 Bullet Resistant – Level 1, Non-Fire Rated (BT1-BCW7-NR).....54  
 Bullet Resistant – Level 2, Non-Fire Rated (BT2-BCW7-NR).....55  
 Bullet Resistant – Level 3, Non-Fire Rated (BT3-BCW7-NR).....56

**Additional Information**

Bulletin: Concealed Closers/Stops.....57  
 Concealed Closers/Stops Intumescent Installation.....58  
 Bulletin: Smoke Doors.....59

## Acrovyn® Doors

### Features + Benefits

- Acrovyn Doors will not tear, chip, or crack. Key to the doors durability is the rugged Acrovyn face and edge material
- Acrovyn is 5 times as abrasion resistant as wood and twice as resistant as HPL
- Integrated Acrovyn or stainless steel radiused edge guards wrap around both door stiles to provide the ultimate damage protection
- If ever damaged, the Acrovyn Door's edge guards & stiles can be easily replaced in the field for a longer door life\*
- Contains no PBT's & is completely free of PVC
- Standard line of Acrovyn Doors are C2C certified at the Silver level

### Acrovyn Face & Edge Finish Options



- Stainless steel edges available

See all finish options online at [c-sgroup.com](http://c-sgroup.com).

### Technical Data

- Standards: WDMA I.S.1-A Extra Heavy Duty Door
- Lites & Louvers: Cutouts, vision kits, glazing, and louvers available\*
- Pre-machining available for all mortise hardware from manufacturer's templates & approved shop drawings
- Warranty: Limited Lifetime
- Top & bottom rails are factory sealed with an approved sealant

See all finish options online at [c-sgroup.com](http://c-sgroup.com).

### U.S. Patents:

7,621,102; 7,587,876; 7,775,013 B2; 7,886,501 B2.

### U.S. Design Patents:

D512 785S; D515 713S; D517 224S; D517 701S; D518 185S



**Acrovyn® Doors**

**Performance Attributes**

All Door Products

- Cycle Slam: Extra Heavy Duty per WDMA TM-7, -2,000,000 cycles (2x the WDMA requirement)
- Hinge Loading: Extra Heavy Duty per WDMA TM-8
- Screw Holding: Extra Heavy Duty per WDMA TM-10
- Door Finish Wear Index: ASTM D4060-90 (Abrasion Resistance Testing)
- Door Finish Chemical Resistance Testing: ASTM D1308-93
- Door Finish Impact Resistance: ASTM D-4226
- Warp Tolerance: WDMA TM-2
- Stain Resistance/Cleanability: ASTM D1308-93 (Common Stains Easily Removed)
- Resistance to Fungi: ASTM G-21-96 – Zero Fungal Growth (On Acrovyn Sheet)
- Resistance to Bacteria: ASTM G-22-96 – Zero Bacterial Growth (On Acrovyn Sheet)
- Resistance to Fungi: ASTM G-21-2013 – Zero Fungal Growth (At Replaceable Edge Seam)
- Resistance to Bacteria: ASTM G-22-2013 – Zero Bacterial Growth (At Replaceable Edge Seam)

**WDMA I.S.1A Flush Wood Door Minimum Performance Standards**

Performance Attribute	Performance Duty Level		
	Extra Heavy Duty	Fire Rating	Standard Duty
Adhesive Bond Durability, WDMA TM-6	Type I or Type II		
Cycle Slam, WDMA TM-7	1,000,000 cycles	500,000 cycles	250,000 cycles
Hinge-Loading, WDMA TM-8	550 lbs. (2440 N)	475 lbs. (4110 N)	400 lbs. (1780 N)
Door Finishes Various ASTM test methods	TR-6/OP-6 or equal **	TR-4/OP-4 or equal **	TR-2/OP-2 or equal **
Screwholding, WDMA TM-10 Door Face (Blocked or unblocked) Vertical Door Edge Horizontal Door Edge	550 lbs. (2440 N) 550 lbs. (2440 N) 300 lbs. (1330 N)	475 lbs. (2110 N) 475 lbs. (2110 N) 240 lbs. (1060 N)	400 lbs. (1780 N)*** 400 lbs. (1780 N) 180 lbs. (810 N)
Telegraph, Section T-1	Maximum 0.010 inch in any 3 inch span (0.25 mm in any 76 mm span)		
Warp Tolerance, Section T-2	Maximum 0.25 inch in any 3'-6" x 7'-0" (6.4 mm in any 1050 mm x 2100 mm) door section		
Squareness, Section T-3	Diagonal variance 1/8 inch (3.2 mm)		

\* Acrovyn Door model FC5-NR, meets Extra Heavy Duty for all sections above with the exception of "Screwholding WDMA TM-10 (unblocked)"

\*\* Other formulations may exhibit similar performance characteristics, but must meet or exceed the performance levels for the systems specified to be considered as equal.

\*\*\* If screw holding power is less than 400 lbs. (1780 N) in a Standard Duty door, blocking or thru-bolts are recommended for operable hardware.

**Acrovyn® Doors**

**LEED® v4 Contributions**

Performance Attribute	Building Product Disclosure and Optimization Credits				Indoor Environmental Quality Credits	
	Environmental Product Declarations	Raw Materials FSC/POST/PRE Recycled Content	Material Ingredient Reporting & Optimization	Regional Priority (manuf. <100 miles away)	Low Emitting Materials (ULEF & NAF)	PH 01350 v1.2 Compliant
Non-Rated – Agrifiber	N/A	No/0%/56%	N/A	No	Yes	Yes
Non-Rated – SCL	N/A	No/0%/0%	N/A	No	Yes	Yes
Non-Rated – FSC-PB	N/A	YES/0%/100%	N/A	No	Yes	Yes
Non-Rated – PB	N/A	No/0%/58%	N/A	No	Yes	Yes
Non-Rated – SCL-STC30	N/A	No/0%/0%	N/A	No	Yes	Yes
Non-Rated – SCL-STC43-46	N/A	No/0%/0%	N/A	No	Yes	Yes
20min – Agrifiber	N/A	No/0%/0%	N/A	No	Yes	Yes
20min – SCL	N/A	No/0%/36%	N/A	No	Yes	Yes
20min – FSC-PB	N/A	Yes/0%/0%	N/A	No	Yes	Yes
20min – PB	N/A	No/0%/36%	N/A	No	Yes	Yes
45min – Mineral	N/A	No/0%/36%	N/A	No	Yes	Yes
60min – Mineral	N/A	No/0%/36%	N/A	No	Yes	Yes
90min – Mineral	N/A	No/0%/36%	N/A	No	Yes	Yes
Lead Lined – NR – Agrifiber	N/A	No/0%/0%	N/A	No	Yes	Yes
Lead Lined – NR – SCL	N/A	No/0%/0%	N/A	No	Yes	Yes
Lead Lined – NR – FSC-PB	N/A	YES/0%/56%	N/A	No	Yes	Yes
Lead Lined – NR – PB	N/A	No/0%/0%	N/A	No	Yes	Yes
Lead Lined – 20min – FSC-PB	N/A	YES/0%/56%	N/A	No	Yes	Yes
Lead Lined – 20min – PB	N/A	No/0%/56%	N/A	No	Yes	Yes

The U.S. Green Building Council's LEED® green building program is the preeminent program for the design, construction, maintenance and operations of high-performance green buildings. Learn more at [usgbc.org/](http://usgbc.org/) LEED.

**Acrovyn® Doors**

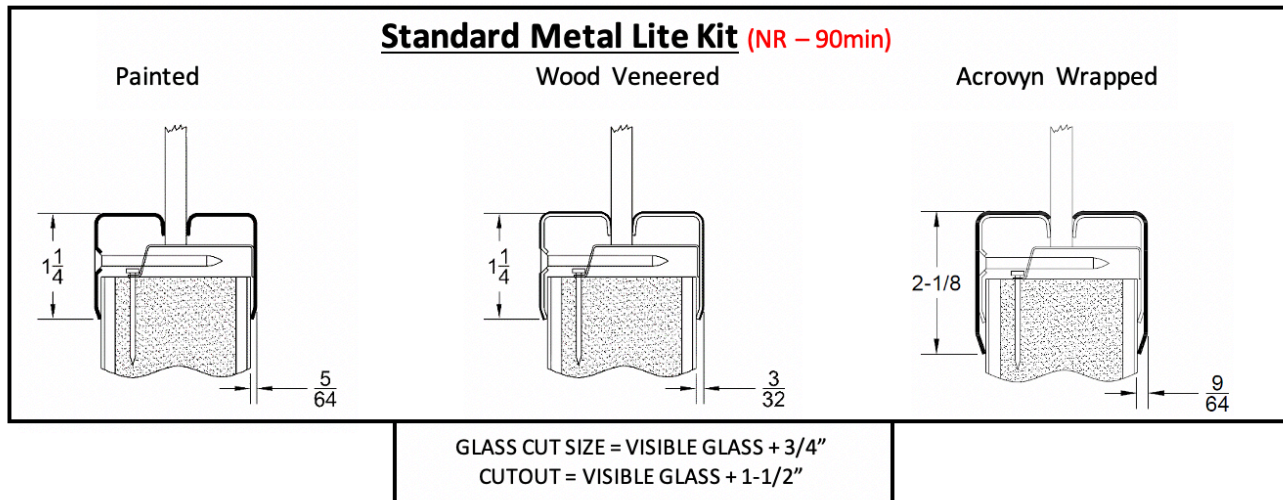
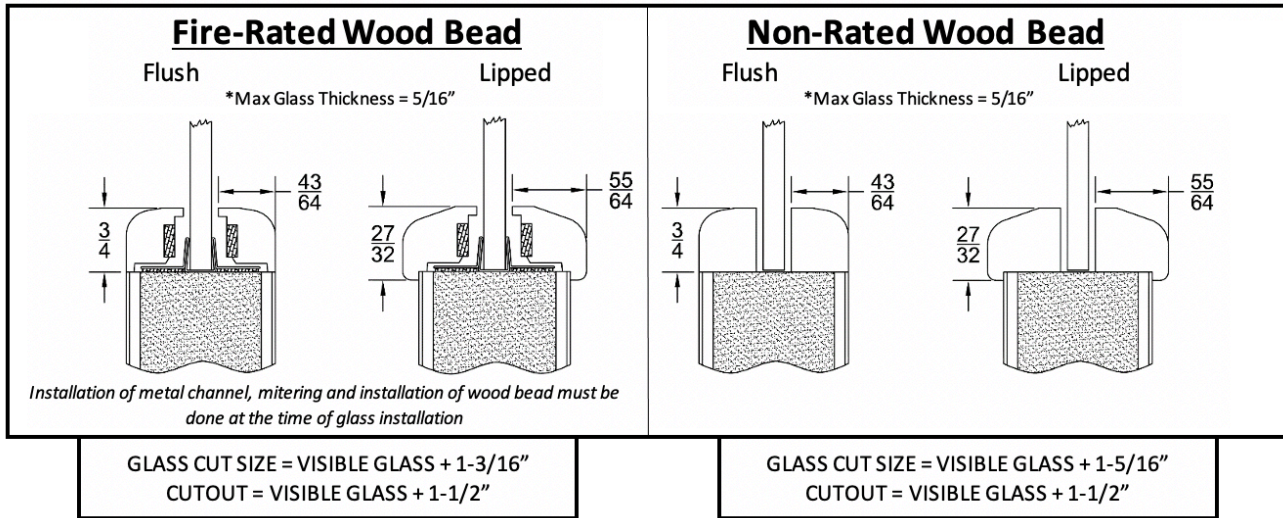
**LEED® 2009 v3.0 Contributions**

Performance Attribute	Materials & Resources Credits			Indoor Environmental Quality
	MR 4 Recycled Content	MR6 Rapidly Renewable	MR 7 Certified Wood	IEQ 4.4 No Added Urea Formaldehyde
Non-Rated – Agrifiber	x	x	x	x
Non-Rated – SCL			x	x
Non-Rated – FSC-PB	x		x	x
Non-Rated – PB	x			x
Non-Rated – SCL-STC30			x	x
Non-Rated – SCL-STC43-46				
20min – Agrifiber	x	x	x	x
20min – SCL			x	x
20min – FSC-PB	x		x	x
20min – PB	x			x
45min – Mineral				x
60min – Mineral				x
90min – Mineral				x
Lead Lined – NR – Agrifiber	x	x	x	x
Lead Lined – NR – SCL	x			x
Lead Lined – NR – FSC-PB	x		x	x
Lead Lined – NR – PB	x			x
Lead Lined – 20min – FSC-PB	x		x	x
Lead Lined – 20min – PB	x			x

The U.S. Green Building Council's LEED® green building program is the preeminent program for the design, construction, maintenance and operations of high-performance green buildings. Learn more at [usgbc.org/](http://usgbc.org/) LEED.

Acrovyn® Doors

Lite Kit Options

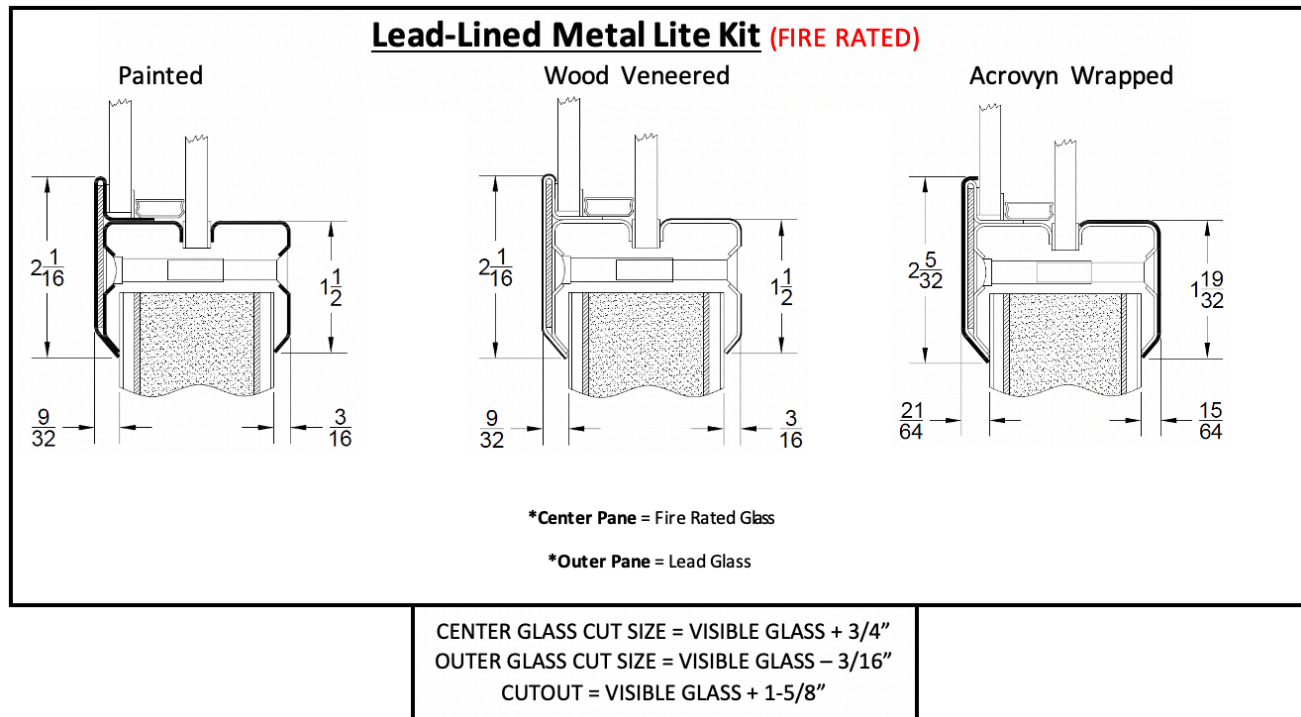
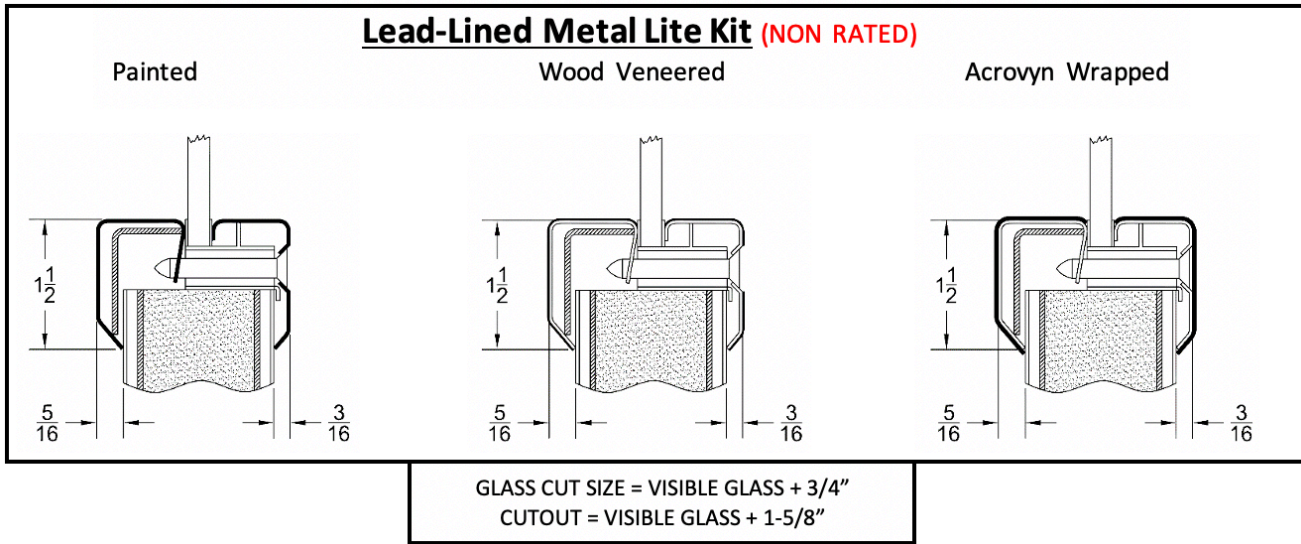


All dimensions are nominal



Acrovyn® Doors

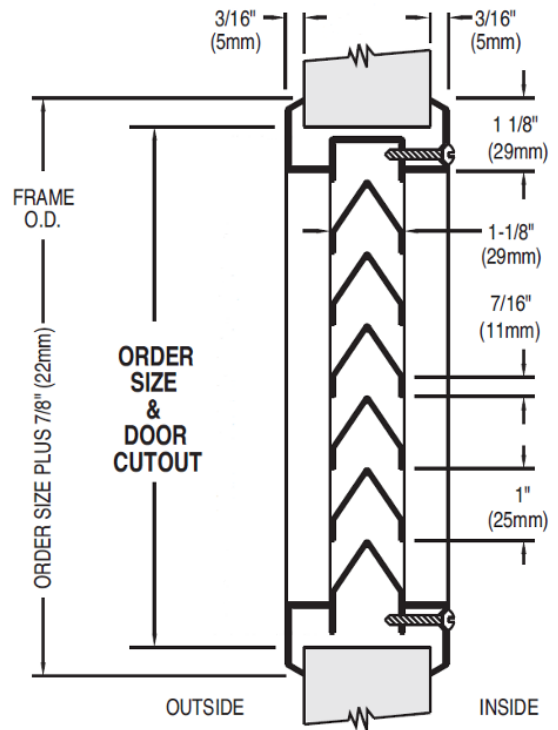
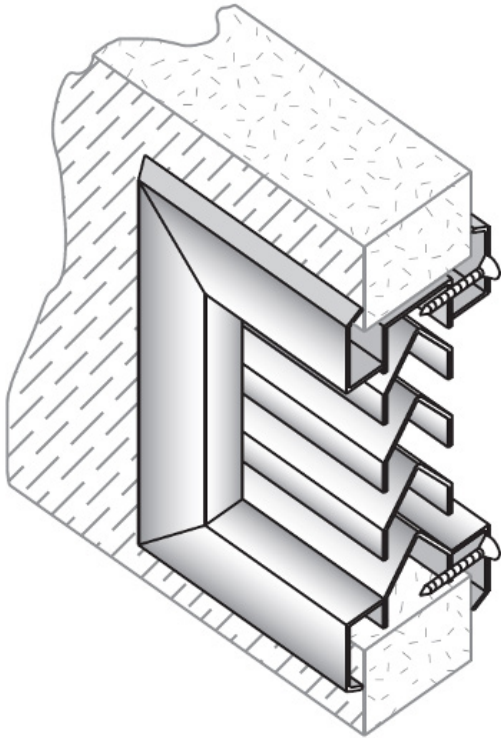
Lite Kit Options (Cont.)



All dimensions are nominal

### Louvers - Non-Rated

(Anemostat AFDL)



#### Standard Product Features:

**Material:**

18GA. Cold Rolled Steel – Frame  
22GA. Cold Rolled Steel – Louver Blades

**Finish:**

Grey Primer, Beige or Bronze Baked Enamel

**Installation:**

Self attaching using #8 x 1" Phillips head screws that fasten the auxiliary frame to the louver core, thru the cut out in the door. The corridor side of the frame is free of fasteners for added security.

**Free Air Flow:**

50% Free Area

#### Optional Product Features:

**Material:**

#304 OR #316 Stainless Steel, #4 Finish

**Fasteners:**

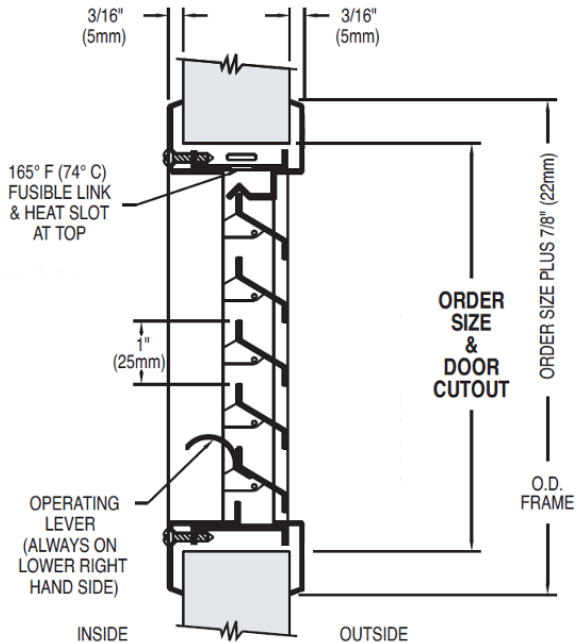
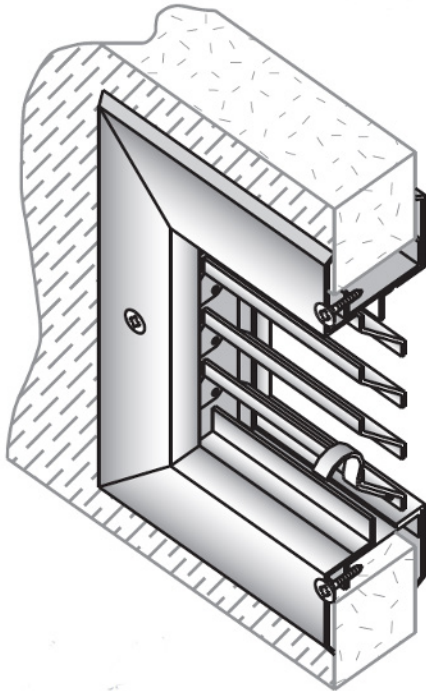
Special security screw fasteners available.

All dimensions are nominal



**Louvers - Fire Rated**

(Anemostat FLDL)



**Standard Product Features:**

**Material:**

18GA. Cold Rolled Steel Frame & Louver Blades  
16GA. Inner support members

**Finish:**

Grey Primer, Beige or Bronze Baked Enamel

**Installation:**

Self attaching using #8 x 1" Phillips head screws that fasten the auxiliary frame to the louver core, thru the cut out in the door. The corridor side of the frame is free of fasteners for added security.

**Closing Assembly:**

Stainless steel operating springs assure proper action with the closing mechanism.

**Free Air Flow:**

40% Free Area

**Optional Product Features:**

**Material:**

#304 OR #316 Stainless Steel, #4 Finish

**Fasteners:**

Special security screw fasteners available.

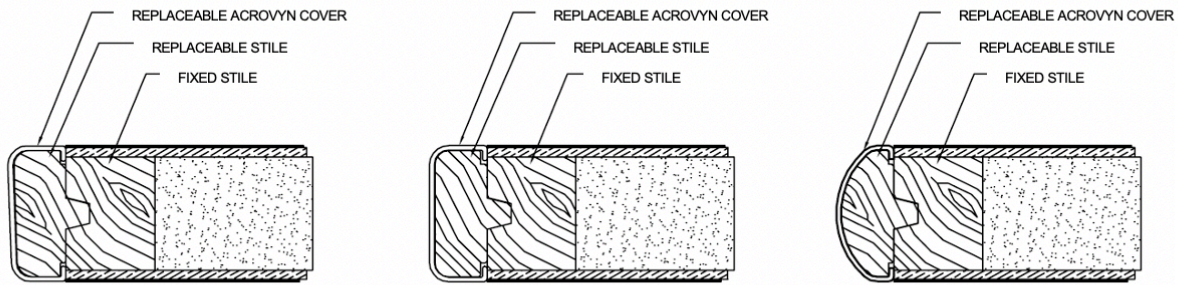
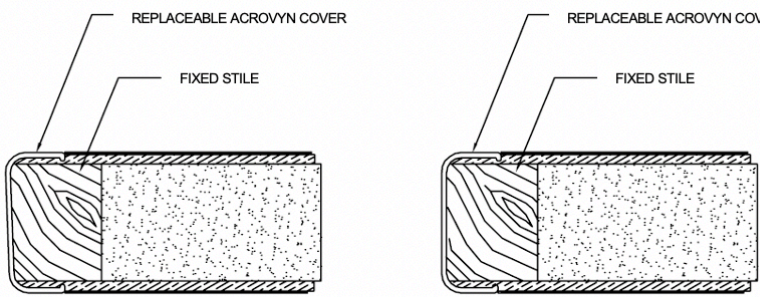
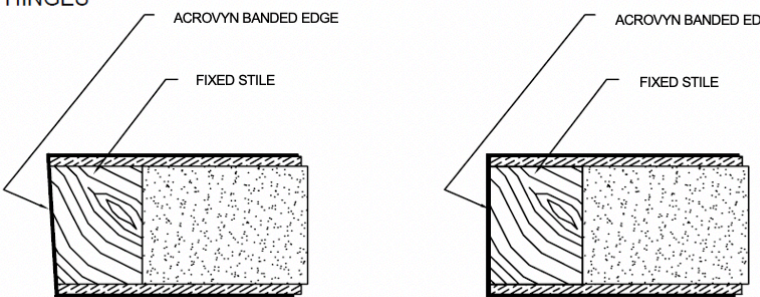
**Fire Ratings and Test Standards:**

UL10C with Classification Markings  
Approved Listing – 20/45/60/90 Minutes  
Max width 24", Max height 24"  
Min width 10", Min height 6"

All dimensions are nominal

Acrovyn® Doors

Door Edge Options

<p><b>REPLACEABLE ACROVYN EDGE</b> STANDARD ON NR THRU 90 MINUTE DOORS* REPLACEABLE IN FIELD</p>  <p>BEVELED EDGE                      SQUARE EDGE                      RADIUS EDGE</p>	<p>*Available in either Acrovyn (or) Stainless Steel (Stainless Steel not available on Radius edge) (Radius edge not available for fire rated doors)</p>
<p><b>WRAPPED ACROVYN EDGE</b> STANDARD ON LL DOORS REPLACEABLE IN FIELD</p>  <p>WRAPPED BEVELED EDGE                      WRAPPED SQUARE EDGE</p> <p>NOTE: This edge option should be specified when <u>Surface Mounted Continuous Hinges</u> are to be installed. This is the sole responsibility of the customer to call out at the time of order.</p>	<p>*Available in either Acrovyn (or) Stainless Steel</p>
<p><b>BANDED EDGE</b> AVAILABLE FOR SPECIAL REQUESTS ONLY TYPICALLY USED ON HINGE EDGE WITH EDGE GUARD TYPE HINGES</p>  <p>BANDED BEVELED EDGE                      BANDED SQUARE EDGE</p>	<p>*Available only in Acrovyn</p>

All dimensions are nominal

## Acrovyn® Doors

### Astragal Options

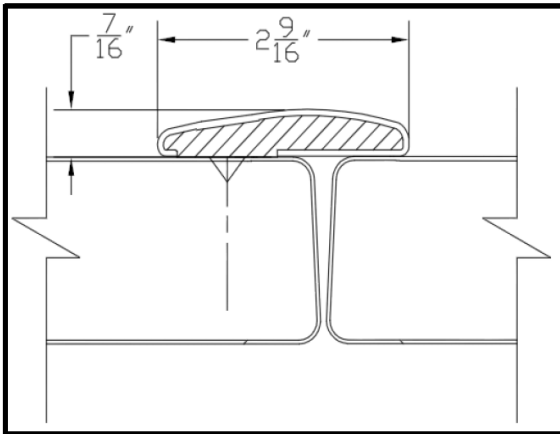
Features:

- Field replaceable Acrovyn cover
- Made with the same durable Acrovyn sheet as the rest of the door
- Perfect color match to the door
- Offers a low profile “airfoil” design to deflect hard impacts
- Can be through bolted or attached using standard fasteners
- Offers a concealed fastener design (Unless through bolted)

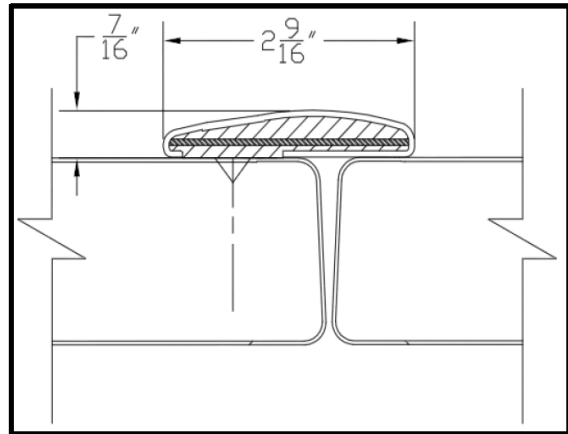
Applications:

- Acrovyn Door pairs do not require the usage of Astragals to maintain fire rating
- To be used as a sight seal
- Lead lined option available for use on lead lined doors

### Acrovyn Wrapped



### Acrovyn Wrapped (Lead)



All dimensions are nominal

**Acrovyn® Doors**

**Standard Panel Door Designs**

**Montclair**



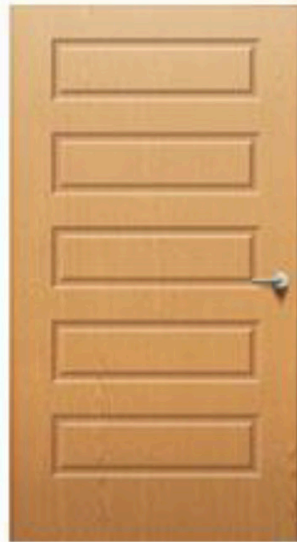
**Somerset**



**Madison**



**Summit**



**Berkeley**



**Chatham**



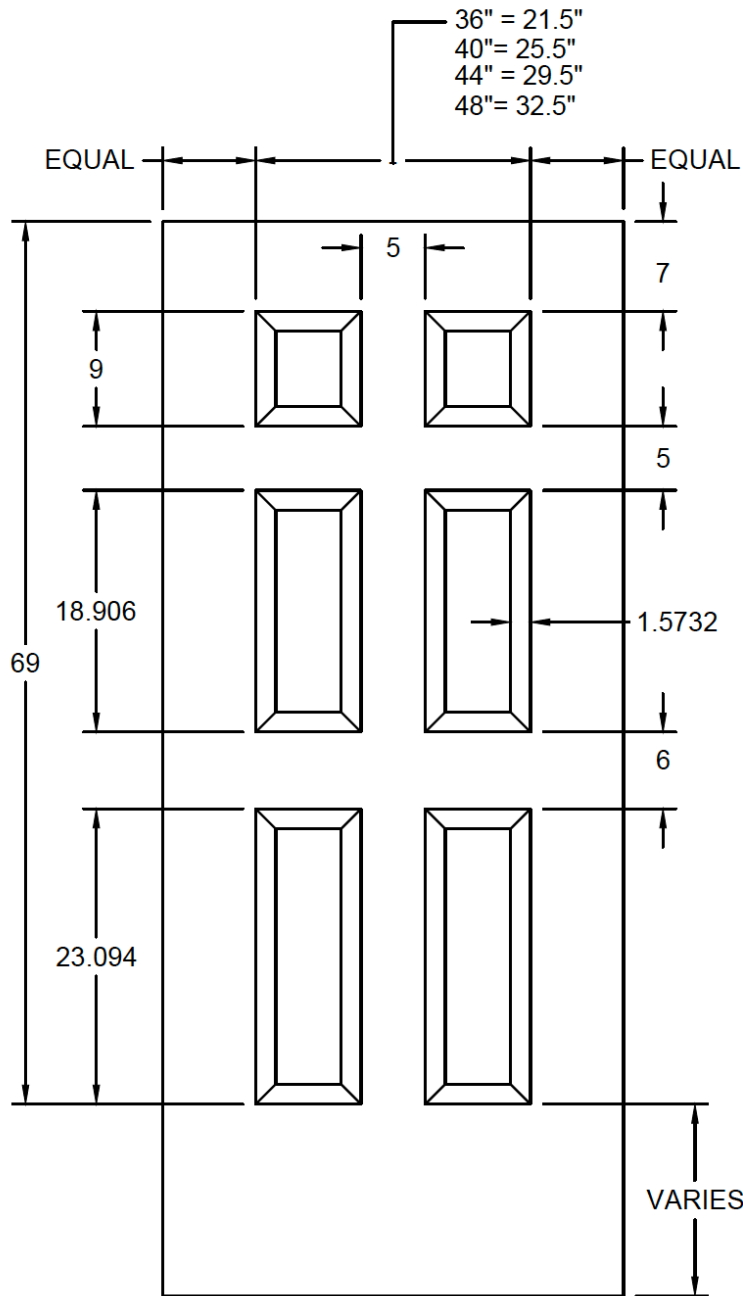
**Montgomery**



**Plymouth**

Acrovyn® Doors

Montclair Panel Door Details

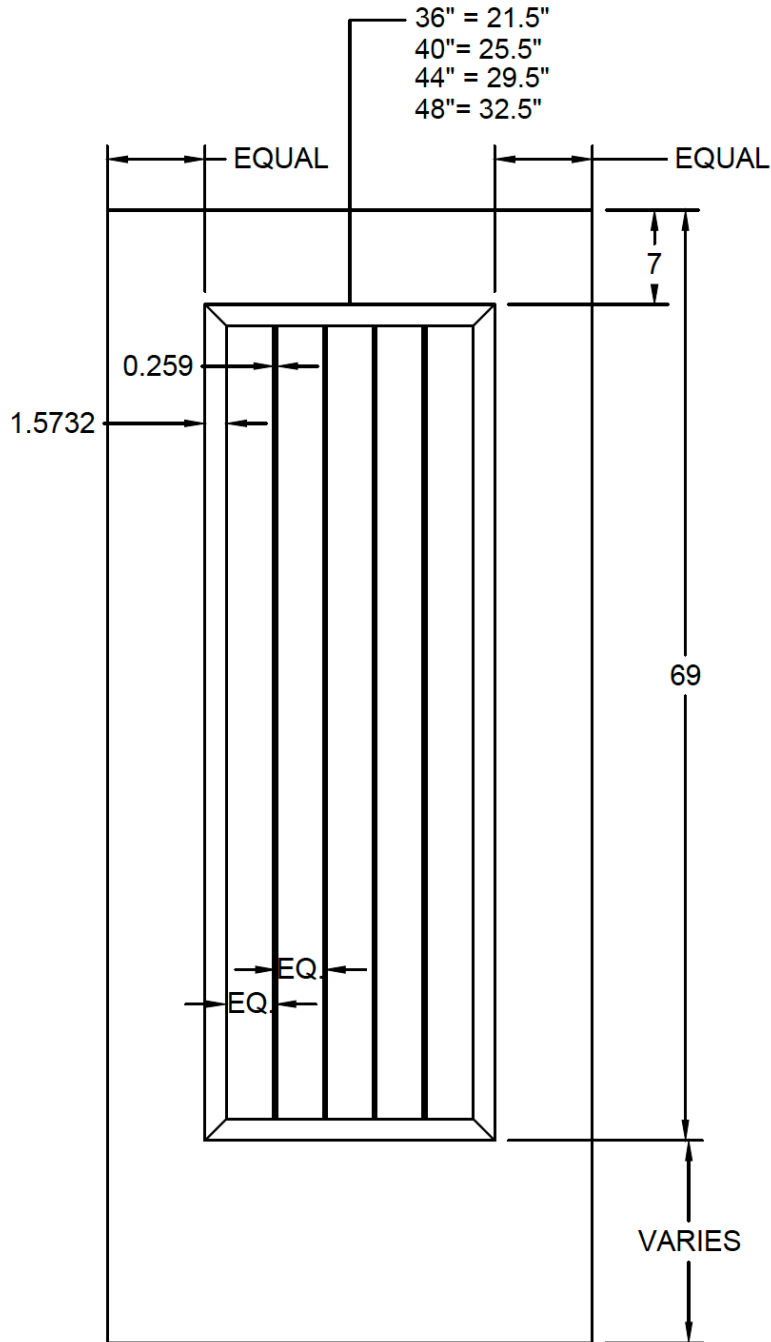


*NOTE: If detailing door widths between the sizes noted, panel widths will be used from the next largest size.*



Acrovyn® Doors

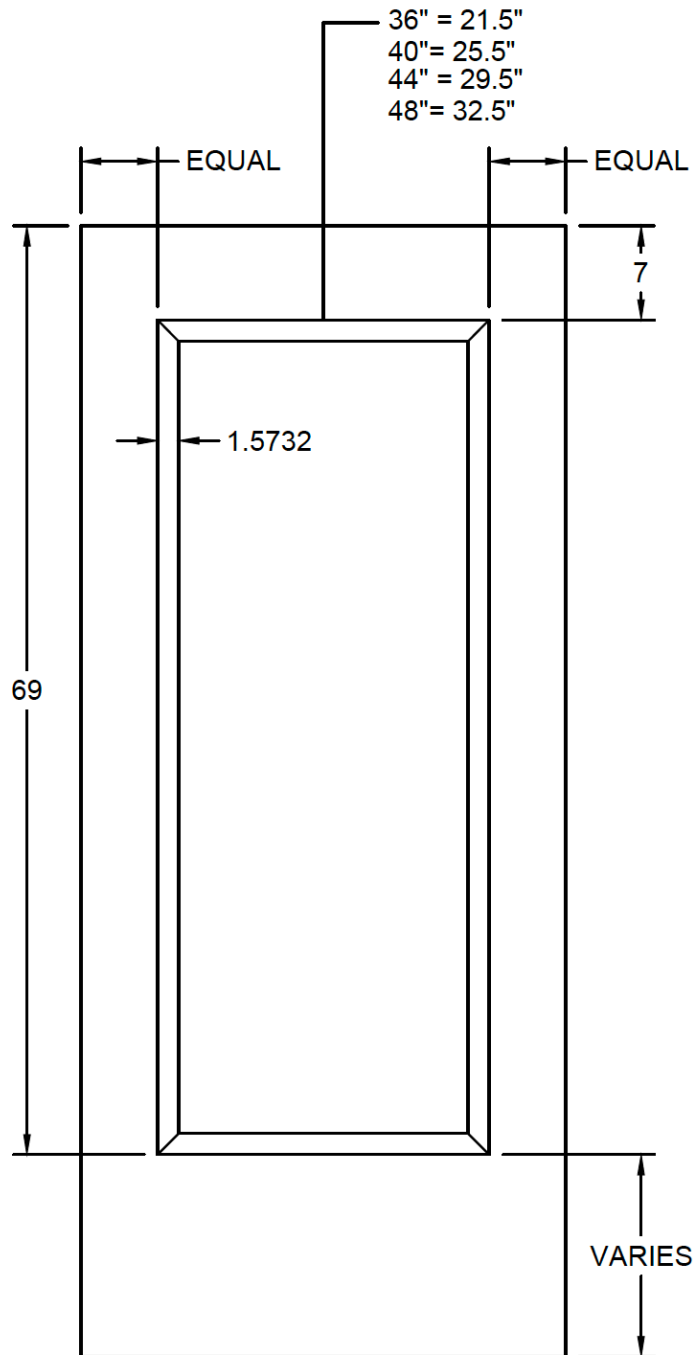
Somerset Panel Door Details



*NOTE: If detailing door widths between the sizes noted, panel widths will be used from the next largest size.*

Acrovyn® Doors

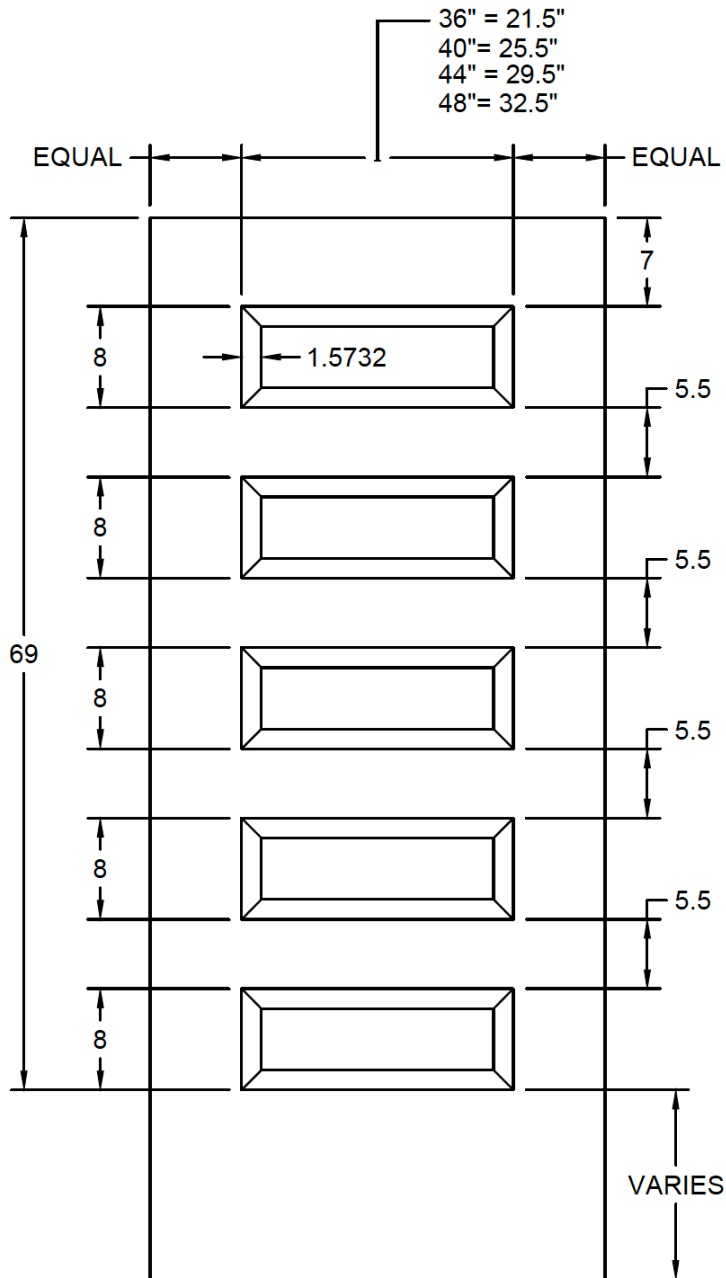
Madison Panel Door Details



*NOTE: If detailing door widths between the sizes noted, panel widths will be used from the next largest size.*

Acrovyn® Doors

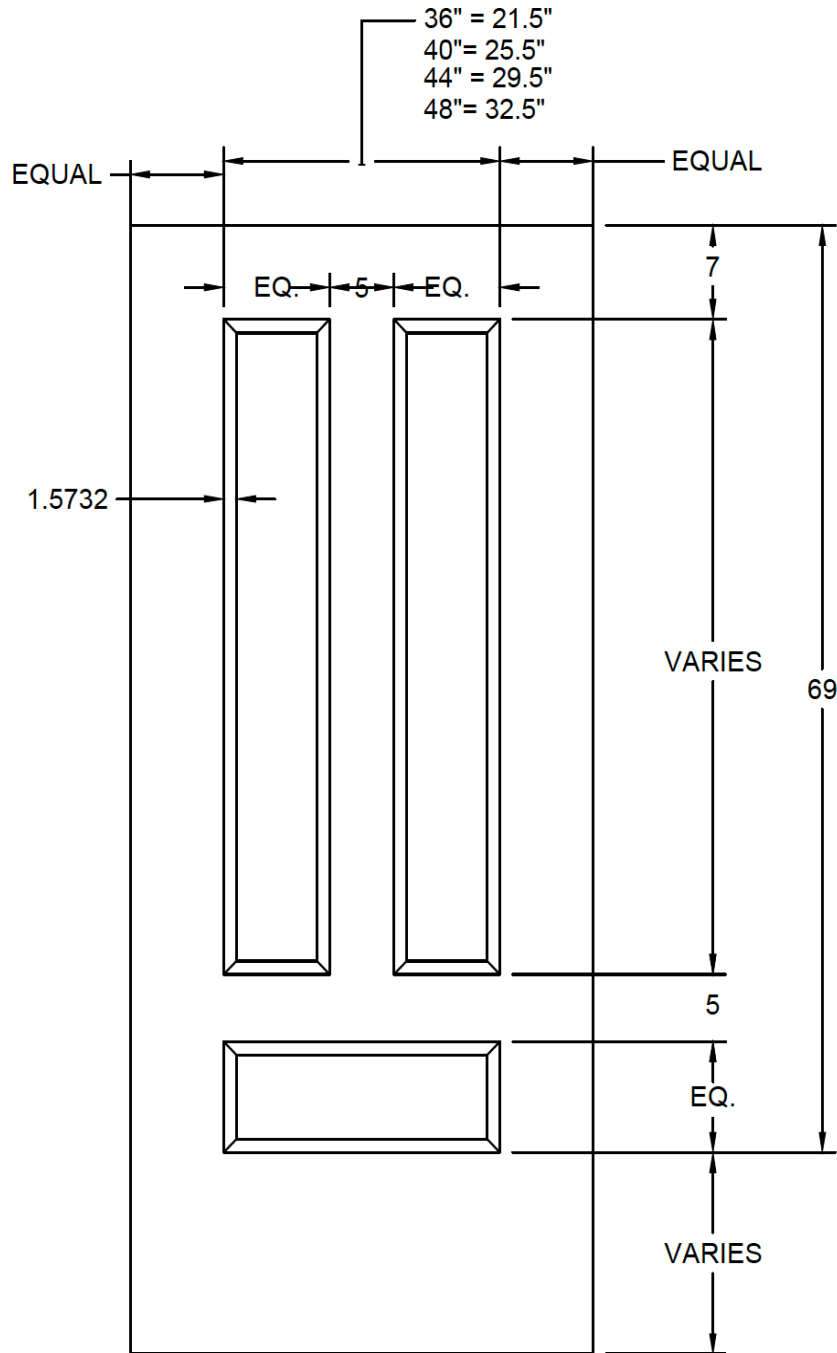
Summit Panel Door Details



*NOTE: If detailing door widths between the sizes noted, panel widths will be used from the next largest size.*

Acrovyn® Doors

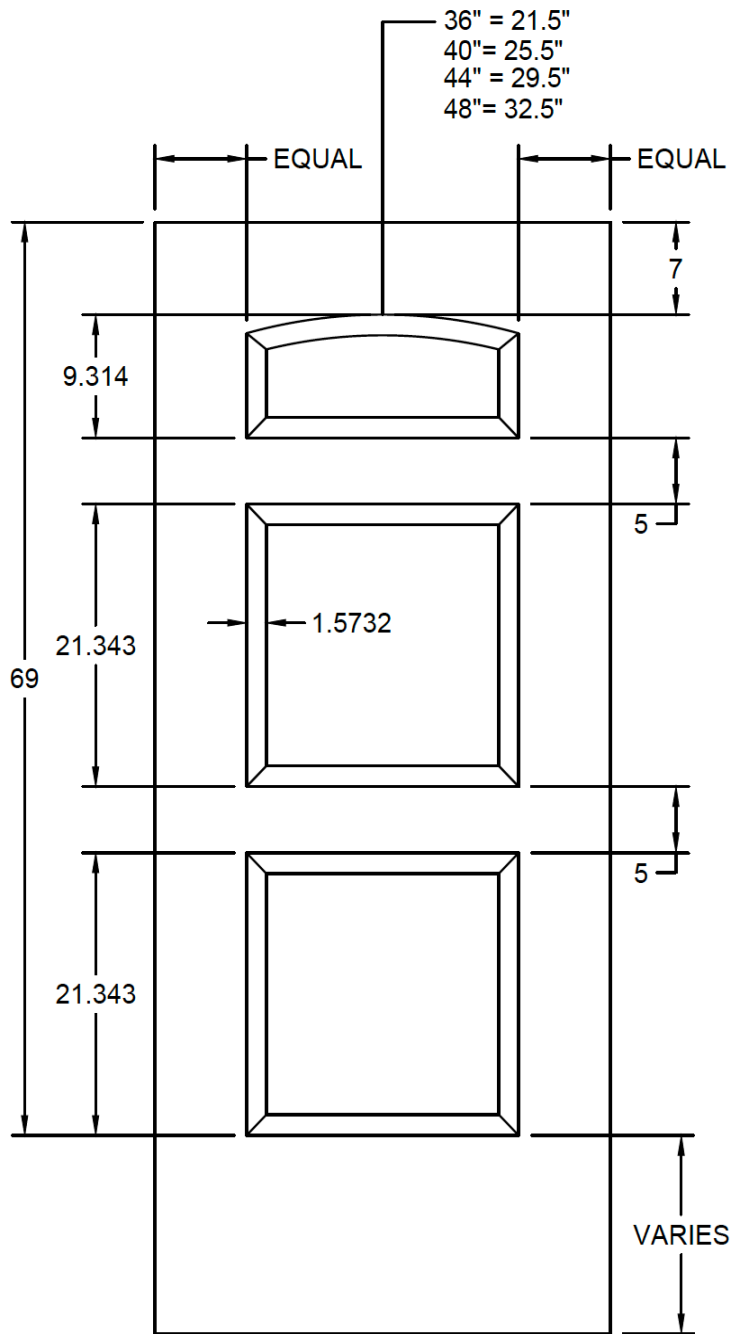
Berkeley Panel Door Details



*NOTE: If detailing door widths between the sizes noted, panel widths will be used from the next largest size.*

Acrovyn® Doors

Chatham Panel Door Details

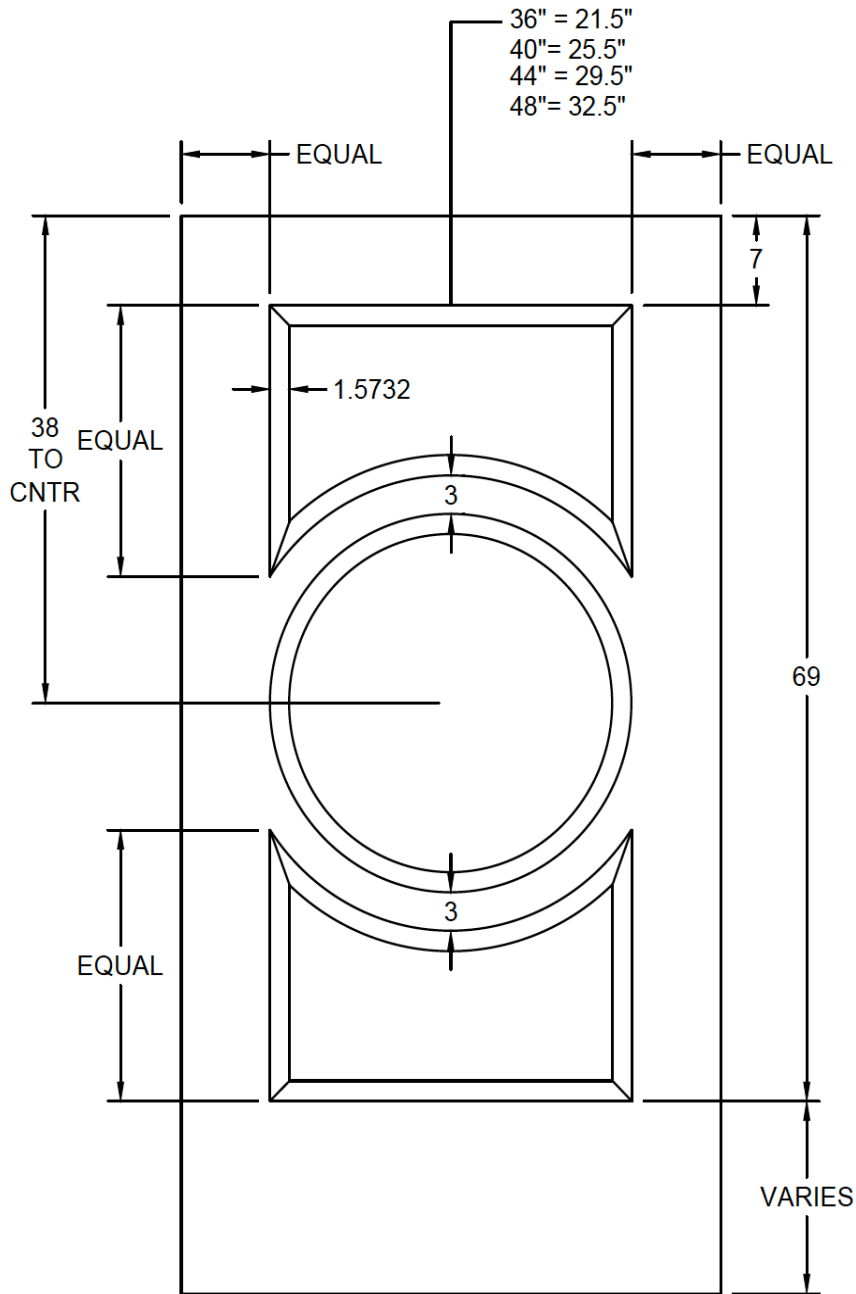


*NOTE: If detailing door widths between the sizes noted, panel widths will be used from the next largest size.*



Acrovyn® Doors

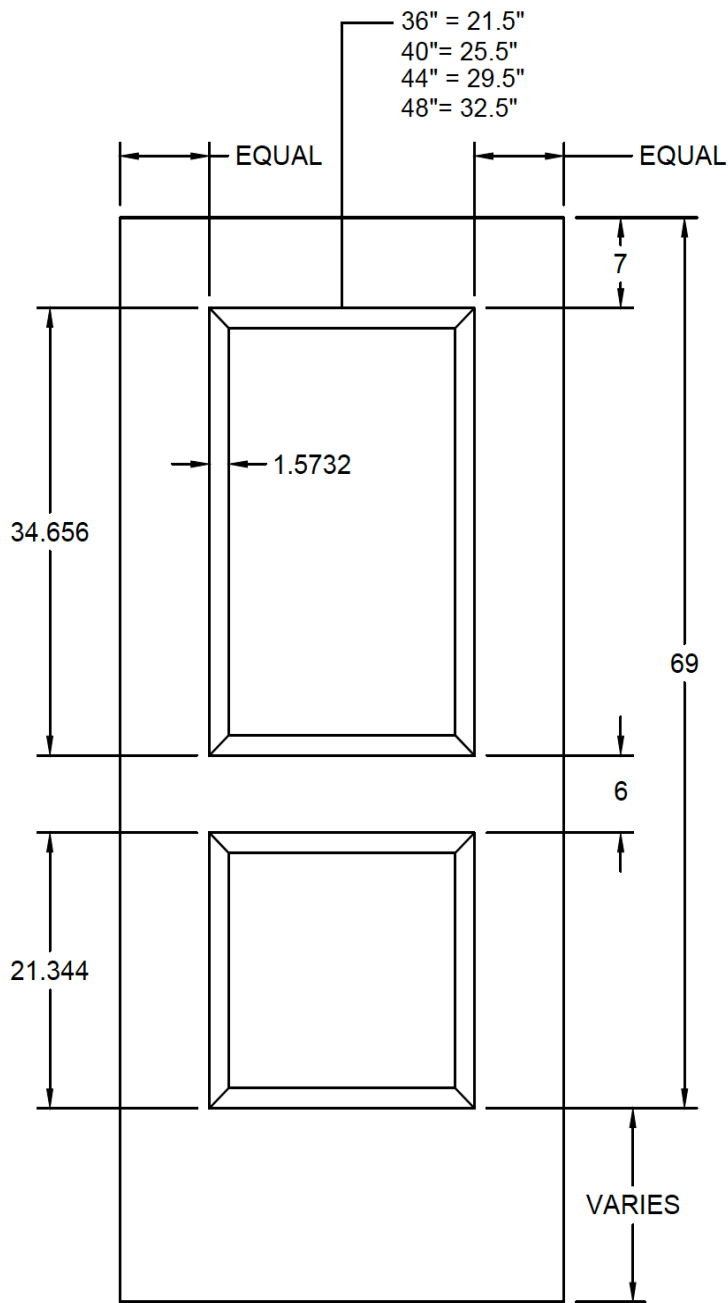
Montgomery Panel Door Details



*NOTE: If detailing door widths between the sizes noted, panel widths will be used from the next largest size.*

Acrovyn® Doors

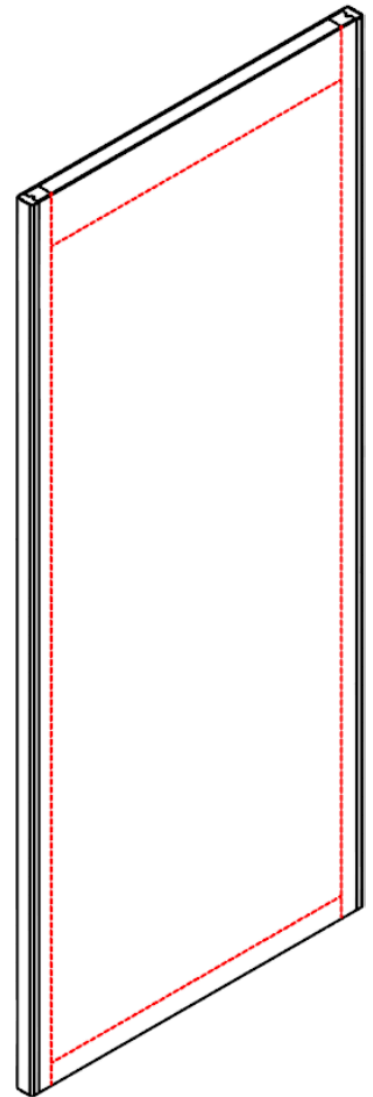
Plymouth Panel Door Details



*NOTE: If detailing door widths between the sizes noted, panel widths will be used from the next largest size.*

**Non-Rated Lightweight Core (FC5-NR)  
Bonded Lightweight Core, 5-Ply Construction**

	Single Swing	Pair or Double Egress
Core Type & Standards	Composite: WDMA "Standard Duty" *Meets WDMA "Extra Heavy Duty" for TM-6, TM-7, TM-8	
Complies with CARB Phase I & II Emission Standards		
Maximum Sizes	4'3" x 8'0"	8'6" x 8'0"
Protection Plates	Up to 48" (above bottom of door)	
Door Thickness	1-3/4" (+/- 1/16")	
WDMA Prefit Tolerance	Width: (+/- 1/32") Height & Thickness: (+/- 1/16")	
Weight	2.30lb/ft <sup>2</sup> (3070 Door = 48lbs) (4070 Door = 61lbs)	
Crossband	High Density FSC Fiberboard	
Blocking	(Standard) 5" top rail; 1" Bottom Rail; 1" Fixed Internal Stiles; Lock Blocks (Additional blocking upon request)	
Assembly Adhesive	Face: Type I (waterproof); Core: Type II (waterresistant)	
Replaceable Edge Stiles & Covers	Field Replaceable SCL Stiles. Acrovyn and/or 20GA #4 finish Stainless Steel Replaceable Covers	
Replaceable Edge Profile	Beveled, Square, Radius	
Lites	5" from edges, 1-1/2" from hardware or additional cutouts	
Max Lite Cutout Area	Up to 40% of door area. (If exceeded, SCL core required)	
Lite Frames	Metal – Painted, Wood Veneered, Acrovyn Wrapped	
Glazing	No restrictions	
Louvers	Up to 24" x 24"; 10" From Bottom of Door & 1-1/2" From Hardware or Additional Cutout	
Electronic Options	Not Available	
Hinges	Mortised, Surface & Continuous	
Pivots	Center hung & offset w/ intermediate	
Sliding Door Compatible	Yes	
Locks	Mortise & Cylindrical	
Exit Devices	Not Available	
Concealed Vertical Rod	Not Available	
Flushbolts	Must Be Extension Type (Metal Door)	
Closing Devices	Mortised or Surface Mounted	
Door Bottoms	Mortised or Surface Mounted	
Transoms	Available	

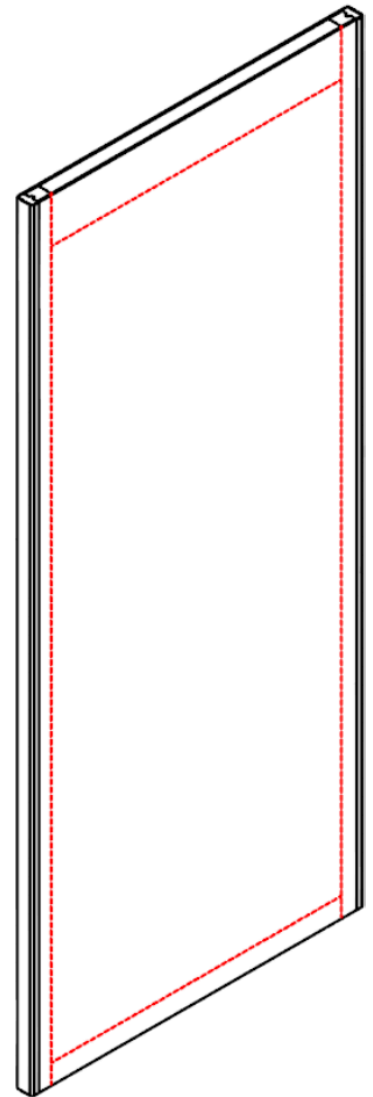


(Surface mounted hardware shall be through-bolted)

**Non-Rated Agrifiber (AF5-NR)**  
**Bonded Agrifiber Core, 5-Ply Construction**

	Single Swing	Pair or Double Egress
Core Type & Standards	Agrifiber: ANSI A208.1.2009 grade LD-1 (26-28 lb/ft3)	
Complies with CARB Phase I & II Emission Standards		
Maximum Sizes	4'3" x 9'0"	8'6" x 9'0"
Protection Plates	Up to 48" (above bottom of door)	
Door Thickness	1-3/4" OR 1-3/8" (+/- 1/16")	
WDMA Prefit Tolerance	Width: (+/- 1/32") Height & Thickness: (+/- 1/16")	
Weight	5.08lb/ft2 (3070 Door = 107lbs) (4070 Door = 142lbs)	
Crossband	High Density FSC Fiberboard	
Blocking	(Standard) 5" top rail; 1" Bottom Rail; 1" Fixed Internal Stiles (Additional blocking upon request)	
Assembly Adhesive	Face: Type I (waterproof); Core: Type II (water-resistant)	
Replaceable Edge Stiles & Covers	Field Replaceable SCL Stiles. Acrovyn and/or 20GA #4 finish Stainless Steel Replaceable Covers	
Replaceable Edge Profile	Beveled, Square, Radius	
Lites	5" from edges, 1-1/2" from hardware or additional cutouts	
Max Lite Cutout Area	Up to 40% of door area. (If exceeded, SCL core required)	
Lite Frames	Wood beads; Metal – Painted, Wood Veneered, Acrovyn Wrapped	
Glazing	No restrictions	
Louvers	Up to 24" x 24"; 10" From Bottom of Door & 1-1/2" From Hardware or Additional Cutout	
Electronic Options	Electronic hardware & raceways available	
Hinges	Mortised, Surface & Continuous	
Pivots	Center hung & offset w/ intermediate	
Sliding Door Compatible	Yes	
Locks	Mortise & Cylindrical	
Exit Devices	Surface Vertical Rod (Includes LBR), RIM & Mortised	
Concealed Vertical Rod	Not Available	
Flushbolts	Must Be Extension Type (Metal Door)	
Closing Devices	Mortised or Surface Mounted	
Door Bottoms	Mortised or Surface Mounted	
Transoms	Available	

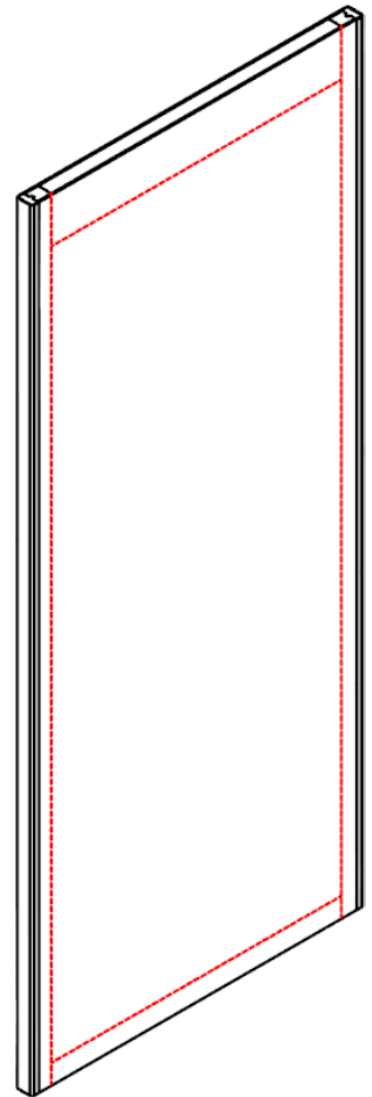
(Surface mounted hardware shall be through-bolted)



**Non-Rated FSC Particleboard (FSC-PC5-NR)**  
**Bonded FSC Particleboard Core, 5 -Ply Construction**

	Single Swing	Pair or Double Egress
Core Type & Standards	FSC Certified Particleboard: ANSI A208.1.2009 grade LD-1 (32 lb/ft3)	
Complies with CARB Phase I & II Emission Standards		
Maximum Sizes	4'3" x 9'0"	8'6" x 9'0"
Protection Plates	Up to 48" (above bottom of door)	
Door Thickness	1-3/4" (+/- 1/16")	
WDMA Prefit Tolerance	Width: (+/- 1/32") Height & Thickness: (+/- 1/16")	
Weight	5.22lb/ft2 (3070 Door = 110lbs) (4070 Door = 147lbs)	
Crossband	High Density FSC Fiberboard	
Blocking	(Standard) 5" top rail; 1" Bottom Rail; 1" Fixed Internal Stiles (Additional blocking upon request)	
Assembly Adhesive	Face: Type I (waterproof); Core: Type II (water-resistant)	
Replaceable Edge Stiles & Covers	Field Replaceable SCL Stiles. Acrovyn and/or 20GA #4 finish Stainless Steel Replaceable Covers	
Replaceable Edge Profile	Beveled, Square, Radius	
Lites	5" from edges, 1-1/2" from hardware or additional cutouts	
Max Lite Cutout Area	Up to 40% of door area. (If exceeded, SCL core required)	
Lite Frames	Wood beads; Metal – Painted, Wood Veneered, Acrovyn Wrapped	
Glazing	No restrictions	
Louvers	Up to 24" x 24"; 10" From Bottom of Door & 1-1/2" From Hardware or Additional Cutout	
Electronic Options	Electronic hardware & raceways available	
Hinges	Mortised, Surface & Continuous	
Pivots	Center hung & offset w/ intermediate	
Sliding Door Compatible	Yes	
Locks	Mortise & Cylindrical	
Exit Devices	Surface Vertical Rod (Includes LBR), RIM & Mortised	
Concealed Vertical Rod	Not Available	
Flushbolts	Must Be Extension Type (Metal Door)	
Closing Devices	Mortised or Surface Mounted	
Door Bottoms	Mortised or Surface Mounted	
Transoms	Available	

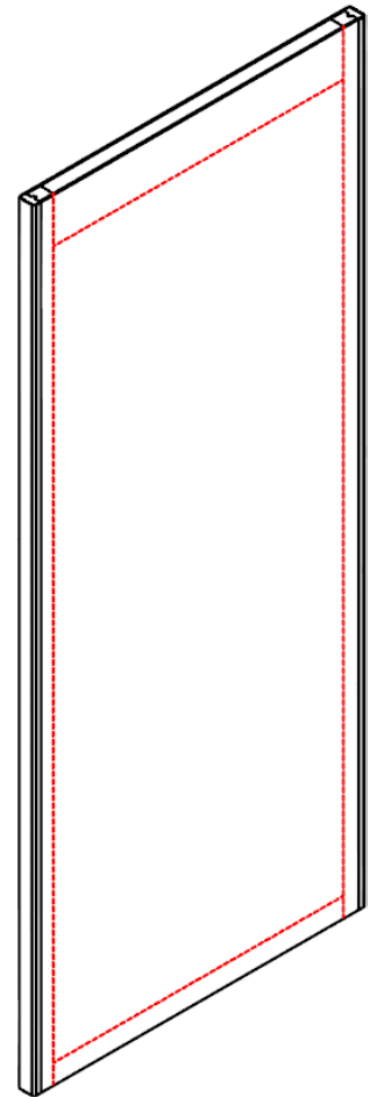
(Surface mounted hardware shall be through-bolted)





**Non-Rated Particleboard (PC5-NR)  
Bonded Particleboard Core, 5 -Ply Construction**

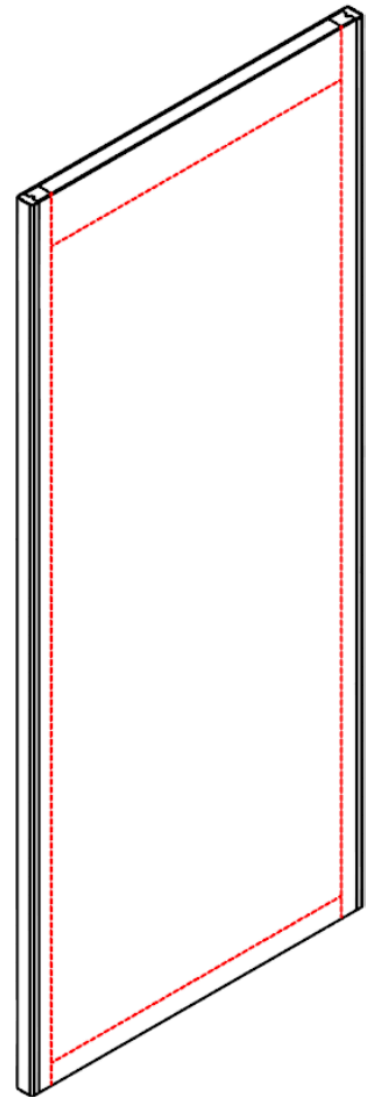
	Single Swing	Pair or Double Egress
Core Type & Standards	Particleboard: ANSI A208.1.2009 grade LD-1(32 lb/ft3)	
Maximum Sizes	4'3" x 9'0"	8'6" x 9'0"
Protection Plates	Up to 48" (above bottom of door)	
Door Thickness	1-3/4" (+/- 1/16")	
WDMA Prefit Tolerance	Width: (+/- 1/32") Height & Thickness: (+/- 1/16")	
Weight	5.27lb/ft2 (3070 Door = 111lbs) (4070 Door = 148lbs)	
Crossband	High Density FSC Fiberboard	
Blocking	(Standard) 5" top rail; 1" Bottom Rail; 1" Fixed Internal Stiles (Additional blocking upon request)	
Assembly Adhesive	Face: Type I (waterproof); Core: Type II (water-resistant)	
Replaceable Edge Stiles & Covers	Field Replaceable SCL Stiles. Acrovyn and/or 20GA #4 finish Stainless Steel Replaceable Covers	
Replaceable Edge Profile	Beveled, Square, Radius	
Lites	5" from edges, 1-1/2" from hardware or additional cutouts	
Max Lite Cutout Area	Up to 40% of door area. (If exceeded, SCL core required)	
Lite Frames	Wood beads; Metal – Painted, Wood Veneered, Acrovyn Wrapped	
Glazing	No restrictions	
Louvers	Up to 24" x 24"; 10" From Bottom of Door & 1-1/2" From Hardware or Additional Cutout	
Electronic Options	Electronic hardware & raceways available	
Hinges	Mortised, Surface & Continuous	
Pivots	Center hung & offset w/ intermediate	
Sliding Door Compatible	Yes	
Locks	Mortise & Cylindrical	
Exit Devices	Surface Vertical Rod (Includes LBR), RIM & Mortised	
Concealed Vertical Rod	Not Available	
Flushbolts	Must Be Extension Type (Metal Door)	
Closing Devices	Mortised or Surface Mounted	
Door Bottoms	Mortised or Surface Mounted	
Transoms	Available	



(Surface mounted hardware shall be through-bolted)

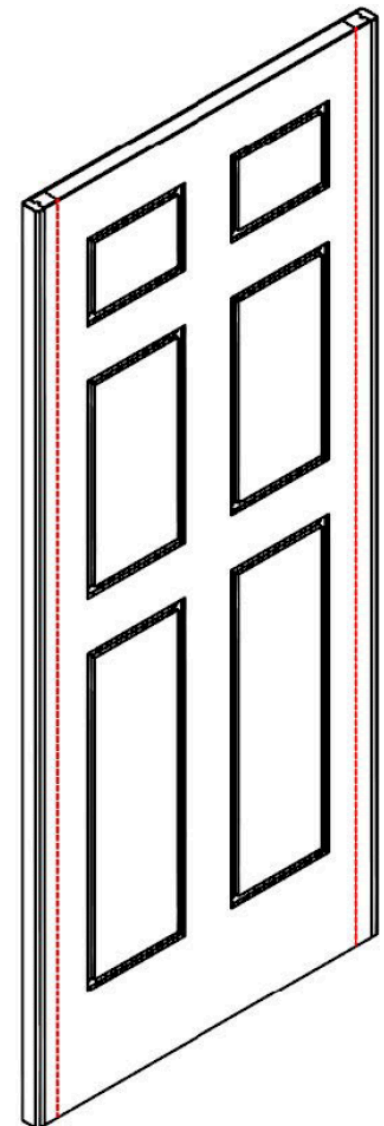
**Non-Rated SCL (SCL5-NR)**  
**Bonded SCL Core, 5-Ply Construction**

	Single Swing	Pair or Double Egress
Core Type & Standards	Structural Composite Lumber: (38 lb/ft3)	
Maximum Sizes	4'3" x 9'0"	8'6" x 9'0"
Protection Plates	Up to 48" (above bottom of door)	
Door Thickness	1-3/4" OR 1-3/8" (+/- 1/16")	
WDMA Prefit Tolerance	Width: (+/- 1/32") Height & Thickness: (+/- 1/16")	
Weight	6.87lb/ft2 (3070 Door = 144lbs) (4070 Door = 193lbs)	
Crossband	High Density FSC Fiberboard	
Blocking	(Standard) Full Core Blocking; 1" Fixed Internal Stiles	
Assembly Adhesive	Face: Type I (waterproof); Core: Type II (water-resistant)	
Replaceable Edge Stiles & Covers	Field Replaceable SCL Stiles. Acrovyn and/or 20GA #4 finish Stainless Steel Replaceable Covers	
Replaceable Edge Profile	Beveled, Square, Radius	
Lites	5" from edges, 1-1/2" from hardware or additional cutouts	
Max Lite Cutout Area	No restrictions	
Lite Frames	Wood beads; Metal – Painted, Wood Veneered, Acrovyn Wrapped	
Glazing	No restrictions	
Louvers	Up to 24" x 24"; 10" From Bottom of Door & 1-1/2" From Hardware or Additional Cutout	
Electronic Options	Electronic hardware & raceways available	
Hinges	Mortised, Surface & Continuous	
Pivots	Center hung & offset w/ intermediate	
Sliding Door Compatible	Yes	
Locks	Mortise & Cylindrical	
Exit Devices	Surface Vertical Rod (Includes LBR), RIM & Mortised	
Concealed Vertical Rod	Available (Includes LBR)	
Flushbolts	Must Be Extension Type (Metal Door)	
Closing Devices	Mortised or Surface Mounted	
Door Bottoms	Mortised or Surface Mounted	
Transoms	Available	



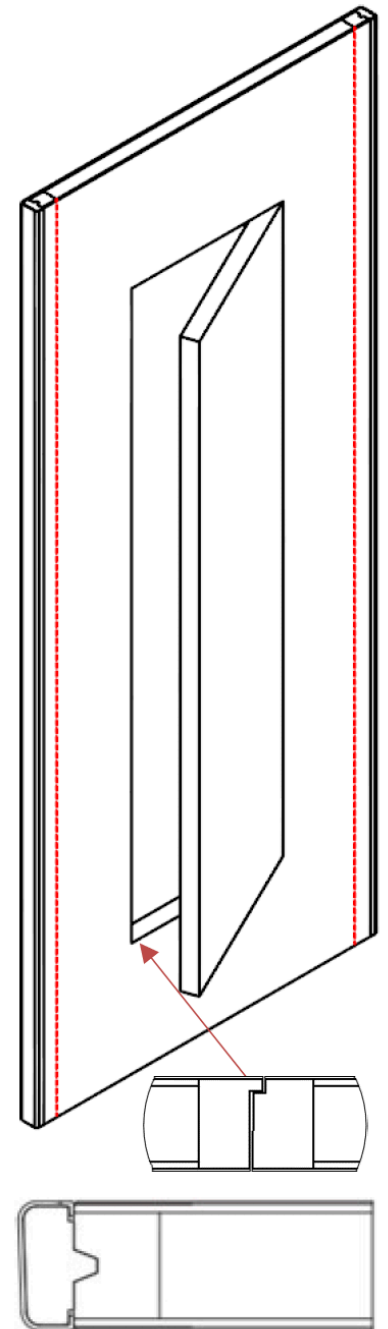
**Non-Rated Panel Door (PN SCL5-NR)**  
**Bonded SCL Core, 5-Ply Construction**

	Single Swing	Pair or Double Egress
Core Type & Standards	Structural Composite Lumber: (38 lb/ft3)	
Maximum Sizes	4'3" x 10'0"	8'6" x 10'0"
Protection Plates	Up to 48" (above bottom of door)	
Door Thickness	1-3/4" (+/- 1/16")	
WDMA Prefit Tolerance	Width: (+/- 1/32") Height & Thickness: (+/- 1/16")	
Weight	6.87lb/ft2 (3070 Door = 144lbs) (4070 Door = 193lbs)	
Crossband	High Density FSC Fiberboard	
Blocking	(Standard) Full Core Blocking; 1" Fixed Internal Stiles	
Assembly Adhesive	Face: Type I (waterproof); Core: Type II (water-resistant)	
Replaceable Edge Stiles & Covers	Field Replaceable SCL Stiles. Acrovyn and/or 20GA #4 finish Stainless Steel Replaceable Covers	
Replaceable Edge Profile	Beveled, Square, Radius	
Lites	5" from edges, 1-1/2" from hardware or additional cutouts	
Max Lite Cutout Area	Lite cutout must replace one entire panel	
Lite Frames	Wood beads; Metal – Painted, Wood Veneered, Acrovyn Wrapped	
Glazing	No restrictions	
Louvers	Up to 24" x 24"; 10" From Bottom of Door & 1-1/2" From Hardware or Additional Cutout	
Electronic Options	Electronic Hardware & Raceways Available, Except Behind Recessed Portions of the Panels	
Hinges	Mortised, Surface & Continuous	
Pivots	Center hung & offset w/ intermediate	
Sliding Door Compatible	Yes	
Locks	Mortise & Cylindrical	
Exit Devices	Surface Vertical Rod (Includes LBR), RIM & Mortised	
Concealed Vertical Rod	Not Available	
Flushbolts	Must Be Extension Type (Metal Door)	
Closing Devices	Mortised or Surface Mounted	
Door Bottoms	Mortised or Surface Mounted	
Transoms	Available	
Panel Design Options	8 standard options	



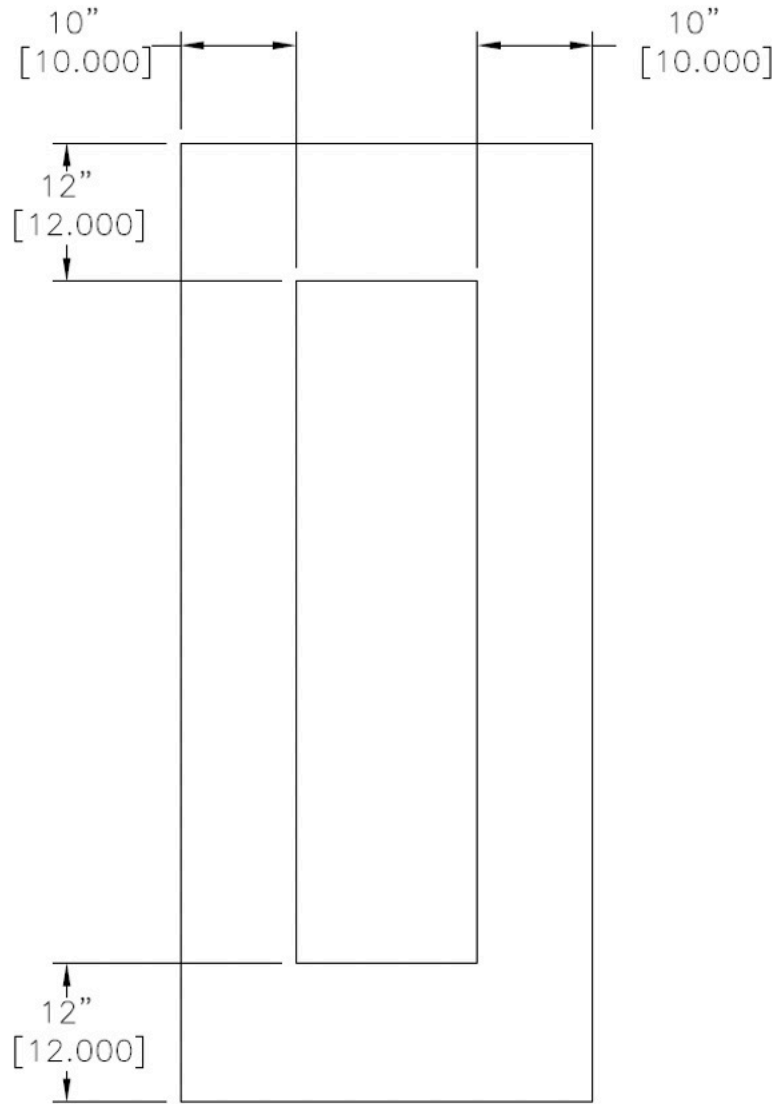
**Non-Rated Barrier Resistant (BR SCL5-NR)  
Bonded SCL Core, 5-Ply Construction**

	Single Swing ONLY	
Core Type & Standards	Structural Composite Lumber: (38 lb/ft3)	
Maximum Sizes	4'3" x 10'0"	Minimum Width: 2'8"
Wicket Door Size	Standard: 16" X 60", Max Width: 14" LESS main door	
Wicket Door Location	Centered in width; 10" from Bottom of Door	
Protection Plates	Up to 48" (above bottom of door)	
Door Thickness	1-3/4" (+/- 1/16")	
WDMA Prefit Tolerance	Width: (+/- 1/32") Height & Thickness: (+/- 1/16")	
Weight	6.87lb/ft2 (3070 Door = 144lbs) (4070 Door = 193lbs)	
Crossband	High Density FSC Fiberboard	
Blocking	(Standard) Full Core Blocking; 1" Fixed Internal Stiles	
Assembly Adhesive	Face: Type I (waterproof); Core: Type II (water-resistant)	
Replaceable Edge Stiles & Covers	Field Replaceable SCL Stiles. Acrovyn and/or 20GA #4 finish Stainless Steel Replaceable Covers	
Replaceable Edge Profile	Beveled, Square, Radius	
Wicket Door Edge	Beveled Rabbeted Design	
Lites	5" from edges, 1-1/2" from hardware or additional cutouts	
Max Lite Cutout Area	Lite cutout Max width = 6"; Max Height = 35"	
Lite Frames	Wood beads; Metal – Painted, Wood Veneered, Acrovyn Wrapped	
Glazing	No restrictions	
Louvers	Up to 24" x 24"; 10" From Bottom of Door & 1-1/2" From Hardware or Additional Cutout	
Electronic Options	Electronic Hardware & Raceways Available, Except Behind Recessed Portions of the Panels	
Hinges (Main Door)	Mortised, Surface & Continuous	
Hinges (Wicket Door)	(2) Tectus TE-340-3d, Included By CS	
Pivots (Main Door)	Center hung & offset w/ intermediate	
Locks (Main Door)	Mortise & Cylindrical	
Locks (Wicket Door)	Recommended: Circular drive-in latch, single sided deadbolt	
Exit Devices	Not Available	
Concealed Vertical Rod	Not Available	
Flushbolts	Not Available	
Closing Devices	Mortised or Surface Mounted	
Door Bottoms	Mortised or Surface Mounted	
Transoms	Available	



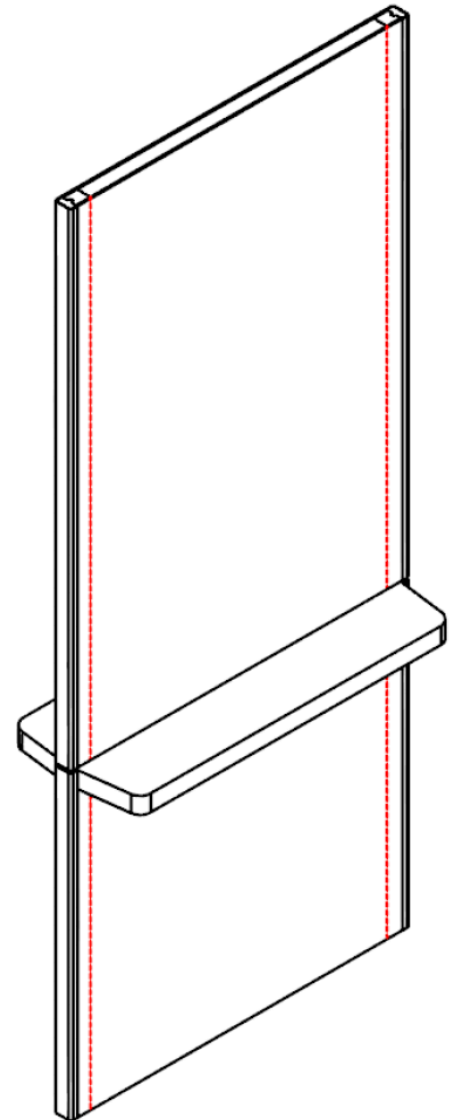
**Acrovyn® Doors**

**Barrier Resistant Door Details**



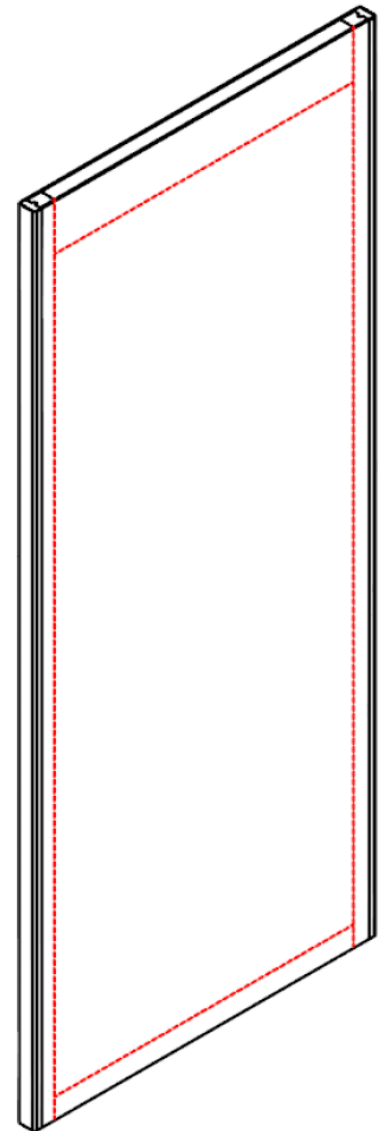
**Non-Rated Dutch Door (DD SCL5-NR)  
Bonded SCL Core, 5-Ply Construction**

	Single Swing	Pair or Double Egress
Core Type & Standards	Structural Composite Lumber: (38 lb/ft3)	
Maximum Sizes	4'3" x 10'0"	8'6" x 10'0"
Protection Plates	Up to 48" (above bottom of door)	
Door Thickness	1-3/4" (+/- 1/16")	
WDMA Prefit Tolerance	Width: (+/- 1/32") Height & Thickness: (+/- 1/16")	
Weight	6.87lb/ft2 (3070 Door = 144lbs) (4070 Door = 193lbs)	
Crossband	High Density FSC Fiberboard	
Blocking	(Standard) Full Core Blocking; 1" Fixed Internal Stiles	
Assembly Adhesive	Face: Type I (waterproof); Core: Type II (water-resistant)	
Replaceable Edge Stiles & Covers	Field Replaceable SCL Stiles. Acrovyn and/or 20GA #4 finish Stainless Steel Replaceable Covers	
Replaceable Edge Profile	Beveled, Square, Radius	
Lites	5" from edges, 1-1/2" from hardware or additional cutouts	
Max Lite Cutout Area	No restrictions	
Lite Frames	Wood beads; Metal – Painted, Wood Veneered, Acrovyn Wrapped	
Glazing	No restrictions	
Louvers	Up to 24" x 24"; 10" From Bottom of Door & 1-1/2" From Hardware or Additional Cutout	
Electronic Options	Electronic hardware & raceways available	
Hinges	Mortised, Surface & Continuous	
Pivots	Center hung & offset w/ intermediate	
Locks	Mortise & Cylindrical	
Exit Devices	Surface Vertical Rod (Includes LBR), RIM & Mortised	
Concealed Vertical Rod	Available (Includes LBR)	
Flushbolts	Must Be Extension Type (Metal Door)	
Closing Devices	Mortised or Surface Mounted	
Door Bottoms	Mortised or Surface Mounted	
Transoms	Available	
Shelf Options	Optional – Single or Double sided, with or without gussets Max shelf overhang – 6 inches	



**Non-Rated STC30 (SCL5-NR STC 30)**  
**Bonded Core, 5 -Ply Construction**

	Single Swing	Pair or Double Egress
Core Type & Standards	Structural Composite Lumber: (38 lb/ft3)	
Maximum Sizes	4'0" x 8'0"	N/A
Protection Plates	Up to 48" (above bottom of door)	
Door Thickness	1-3/4" (+/- 1/16")	
WDMA Prefit Tolerance	Width: (+/- 1/32") Height & Thickness: (+/- 1/16")	
Weight	6.87lb/ft2 (3070 Door = 144lbs) (4070 Door = 193lbs)	
Crossband	High Density FSC Fiberboard	
Blocking	(Standard) Full Core Blocking; 1" Fixed Internal Stiles	
Assembly Adhesive	Face: Type I (waterproof); Core: Type II (water-resistant)	
Replaceable Edge Stiles & Covers	Field Replaceable SCL Stiles. Acrovyn and/or 20GA #4 finish Stainless Steel Replaceable Covers	
Replaceable Edge Profile	Beveled, Square	
Lites	Not Available	
Lite Frames	Not Available	
Louvers	Not Available	
Electronic Options	Electronic hardware & raceways available	
Hinges	Mortised, Surface & Continuous	
Pivots	Center hung & offset w/ intermediate	
Locks	Mortise & Cylindrical	
Exit Devices	Surface Vertical Rod (Includes LBR), RIM & Mortised	
Concealed Vertical Rod	Not Available	
Flushbolts	Must Be Extension Type (Metal Door)	
Closing Devices	Mortised or Surface Mounted	
Door Bottoms	Mortised or Surface Mounted	
Transoms	Available	
STC-30 Operable (Required Gasketing)	Top & Edge of Door: NGP 107NA; Bottom: NGP 420N	



The mark of responsible forestry

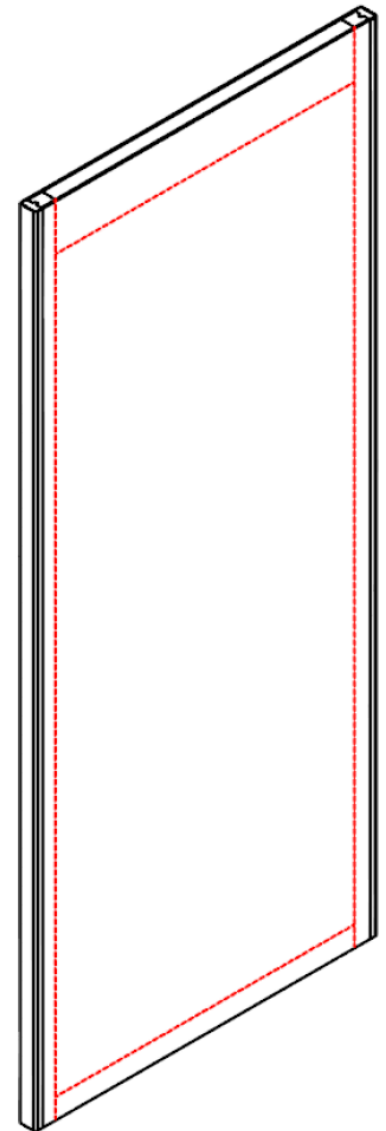




**Non-Rated Mineral STC43/46 (SCL5-NR STC 43-46)  
Bonded SCL Core, 5-Ply Construction, Cat. A, PP**

(Fire Test Standards – IBC, UL-10C, CAN/ULC S104, & NFPA 252)

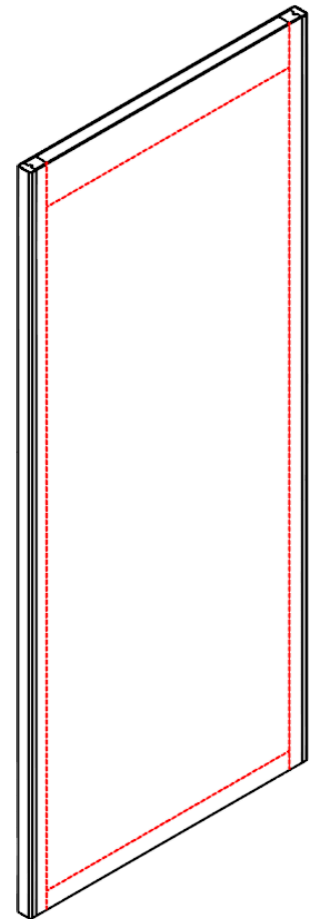
	Single Swing	Pair or Double Egress
Core Type & Standards	Structural Composite Lumber: (38 lb/ft <sup>3</sup> )	
Maximum Sizes	4'0" x 8'0"	N/A
Protection Plates	Up to 48" (above bottom of door)	
Door Thickness	1-3/4" (+/- 1/16")	
WDMA Prefit Tolerance	Width: (+/- 1/32") Height & Thickness: (+/- 1/16")	
Weight	6.87lb/ft <sup>2</sup> (3070 Door = 144lbs) (4070 Door = 193lbs)	
Crossband	High Density FSC Fiberboard	
Blocking	(Standard) Full Core Blocking; 1" Fixed Internal Stiles	
Assembly Adhesive	Face: Type I (waterproof); Core: Type II (water-resistant)	
Replaceable Edge Stiles & Covers	Non-Replaceable SCL Stiles. Acrovyn and/or 20GA #4 finish. Stainless Steel Replaceable Covers	
Replaceable Edge Profile	Beveled, Square	
Lites	Not Available	
Lite Frames	Not Available	
Louvers	Not Available	
Electronic Options	Electronic hardware & raceways available	
Hinges	Mortised, Surface & Continuous	
Pivots	Center hung & offset w/ intermediate	
Locks	Mortise & Cylindrical	
Exit Devices	Surface Vertical Rod (Includes LBR), RIM & Mortised	
Concealed Vertical Rod	Not Available	
Flushbolts	Must Be Extension Type (Metal Door)	
Closing Devices	Mortised or Surface Mounted	
Door Bottoms	Mortised or Surface Mounted	
Transoms	Available	
STC-43 (Operable) (Required Gasketing)	Top & Edge of Door: Pemko Model S88, S773 & S771; Bottom: Zero 367	
STC-44 (Operable) (Required Gasketing)	Top & Edge of Door: Pemko Model 188 & 119; Bottom: Zero 367	
STC-45 (Operable) (Required Gasketing)	Top & Edge of Door: Pemko Model 475 & 119; Bottom: Zero 367	
STC-46 (Operable) (Required Gasketing)	Top & Edge of Door: Pemko Model 475 & 119; Bottom: Zero 367, Zero 328 door sweep, & Zero 63A door Threshold	



**20 Minute Rated Agrifiber (AF5-20PP)**  
**Bonded Agrifiber Core, 5-Ply Construction, Cat. A, PP**

(Fire Test Standards – IBC, UL-10C, CAN/ULC S104, & NFPA 252)

	Single Swing	Pair or Double Egress
Core Type & Standards	Agrifiber: ANSI A208.1.2009 grade LD-1 (26-28 lb/ft <sup>3</sup> )	
Complies with CARB Phase I & II Emission Standards		
Maximum Sizes	4'3" x 9'0"	8'0" x 9'0"
Protection Plates	Up to 48" (above bottom of door)	
Door Thickness	1-3/4" (+/- 1/16")	
WDMA Prefit Tolerance	Width: (+/- 1/32") Height & Thickness: (+/- 1/16")	
Weight	5.11lb/ft <sup>2</sup> (3070 Door = 107lbs) (4070 Door = 143lbs)	
Crossband	High Density FSC Fiberboard	
Blocking	(Standard) 5" top rail; 1" Bottom Rail; 1" Fixed Internal Stiles (Additional blocking upon request)	
Assembly Adhesive	Face: Type I (waterproof); Core: Type II (water-resistant)	
Replaceable Edge Stiles & Covers	Field Replaceable SCL Stiles. Acrovyn and/or 20GA #4 finish Stainless Steel Replaceable Covers	
Replaceable Edge Profile	Beveled, Square	
Lites	5" From Edges, 1-1/2" From Hardware or Additional Cutouts	
Max Visible Glass Area	1296 in <sup>2</sup>	
Lite Frames	Wood beads; Metal – Painted, Wood Veneered, Acrovyn Wrapped	
Glazing	Any listed & labeled (20min or greater)	
Louvers	Not Available	
Electronic Options	Electronic hardware & raceways available	
Hinges	Per NFPA 80 "Table 6.4.3.1"	
Points of Latching	Singles = 1pt	Pairs & DE w/ No Hose Stream = 2pts Double Egress w/ Hose Stream = 4pts
Pivots	Offset w/ intermediate (Center hung not allowed)	
Locks	Mortise & Cylindrical (Max 5" Backset)	
Exit Devices	Surface Vertical Rod (Includes LBR), RIM & Mortised	
Concealed Vertical Rod	Not Available (Must use SCL core)	
Flushbolts	Must Be Extension Type (Metal Door)	
Closing Devices	Mortised or Surface Mounted	
Door Bottoms	Mortised or Surface Mounted	
Transoms	Available – Max opening size 4' x 9'	



Standard



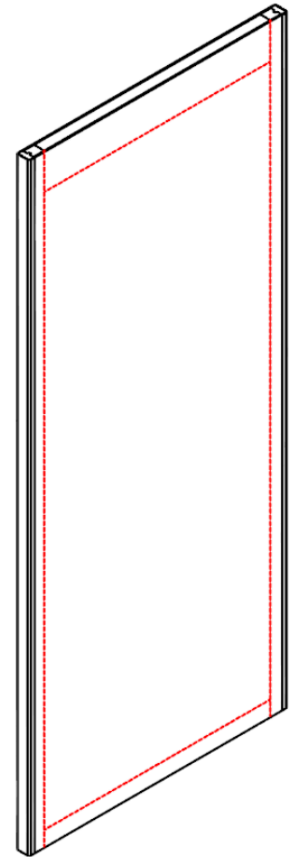
Alternate



**20 Minute Rated FSC Particleboard (FSC PC5-20PP)  
Bonded Agrifiber Core, 5-Ply Construction, Cat. A, PP**

(Fire Test Standards – IBC, UL-10C, CAN/ULC S104, & NFPA 252)

	Single Swing	Pair or Double Egress
Core Type & Standards	FSC Certified Particleboard : ANSI A208.1.2009 grade LD-1 (32 lb/ft <sup>3</sup> )	
Complies with CARB Phase I & II Emission Standards		
Maximum Sizes	4'3" x 9'0"	8'0" x 9'0"
Protection Plates	Up to 48" (above bottom of door)	
Door Thickness	1-3/4" (+/- 1/16")	
WDMA Prefit Tolerance	Width: (+/- 1/32") Height & Thickness: (+/- 1/16")	
Weight	5.26lb/ft <sup>2</sup> (3070 Door = 110lbs) (4070 Door = 147lbs)	
Crossband	High Density FSC Fiberboard	
Blocking	(Standard) 5" top rail; 1" Bottom Rail; 1" Fixed Internal Stiles (Additional blocking upon request)	
Assembly Adhesive	Face: Type I (waterproof); Core: Type II (water-resistant)	
Replaceable Edge Stiles & Covers	Field Replaceable SCL Stiles. Acrovyn and/or 20GA #4 finish Stainless Steel Replaceable Covers	
Replaceable Edge Profile	Beveled, Square	
Lites	5" From Edges, 1-1/2" From Hardware or Additional Cutouts	
Max Visible Glass Area	1296 in <sup>2</sup>	
Lite Frames	Wood beads; Metal – Painted, Wood Veneered, Acrovyn Wrapped	
Glazing	Any listed & labeled (20min or greater)	
Louvers	Not Available	
Electronic Options	Electronic hardware & raceways available	
Hinges	Per NFPA 80 "Table 6.4.3.1"	
Points of Latching	Singles = 1pt	Pairs & DE w/ No Hose Stream = 2pts Double Egress w/ Hose Stream = 4pts
Pivots	Offset w/ intermediate (Center hung not allowed)	
Locks	Mortise & Cylindrical (Max 5" Backset)	
Exit Devices	Surface Vertical Rod (Includes LBR), RIM & Mortised	
Concealed Vertical Rod	Not Available (Must use SCL core)	
Flushbolts	Must Be Extension Type (Metal Door)	
Closing Devices	Mortised or Surface Mounted	
Door Bottoms	Mortised or Surface Mounted	
Transoms	Available – Max opening size 4' x 9'	



Standard



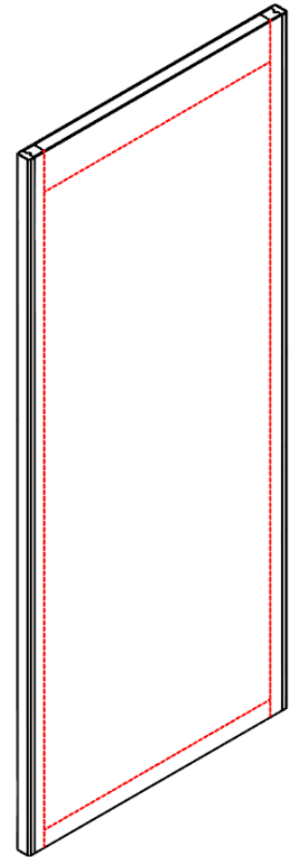
Alternate



**20 Minute Rated Particleboard (PC5-20PP)**  
**Bonded Particleboard Core, 5-Ply Construction, Cat. A, PP**

(Fire Test Standards – IBC, UL-10C, CAN/ULC S104, & NFPA 252)

	Single Swing	Pair or Double Egress
Core Type & Standards	Particleboard : ANSI A208.1.2009 grade LD-1 (32 lb/ft <sup>3</sup> )	
Complies with CARB Phase I & II Emission Standards		
Maximum Sizes	4'3" x 9'0"	8'0" x 9'0"
Protection Plates	Up to 48" (above bottom of door)	
Door Thickness	1-3/4" (+/- 1/16")	
WDMA Prefit Tolerance	Width: (+/- 1/32") Height & Thickness: (+/- 1/16")	
Weight	5.30lb/ft <sup>2</sup> (3070 Door = 111lbs) (4070 Door = 148lbs)	
Crossband	High Density FSC Fiberboard	
Blocking	(Standard) 5" top rail; 1" Bottom Rail; 1" Fixed Internal Stiles (Additional blocking upon request)	
Assembly Adhesive	Face: Type I (waterproof); Core: Type II (water-resistant)	
Replaceable Edge Stiles & Covers	Field Replaceable SCL Stiles. Acrovyn and/or 20GA #4 finish Stainless Steel Replaceable Covers	
Replaceable Edge Profile	Beveled, Square	
Lites	5" From Edges, 1-1/2" From Hardware or Additional Cutouts	
Max Visible Glass Area	1296 in <sup>2</sup>	
Lite Frames	Wood beads; Metal – Painted, Wood Veneered, Acrovyn Wrapped	
Glazing	Any listed & labeled (20min or greater)	
Louvers	Not Available	
Electronic Options	Electronic hardware & raceways available	
Hinges	Per NFPA 80 "Table 6.4.3.1"	
Points of Latching	Singles = 1pt	Pairs & DE w/ No Hose Stream = 2pts Double Egress w/ Hose Stream = 4pts
Pivots	Offset w/ intermediate (Center hung not allowed)	
Locks	Mortise & Cylindrical (Max 5" Backset)	
Exit Devices	Surface Vertical Rod (Includes LBR), RIM & Mortised	
Concealed Vertical Rod	Not Available (Must use SCL core)	
Flushbolts	Must Be Extension Type (Metal Door)	
Closing Devices	Mortised or Surface Mounted	
Door Bottoms	Mortised or Surface Mounted	
Transoms	Available – Max opening size 4' x 9'	



Standard



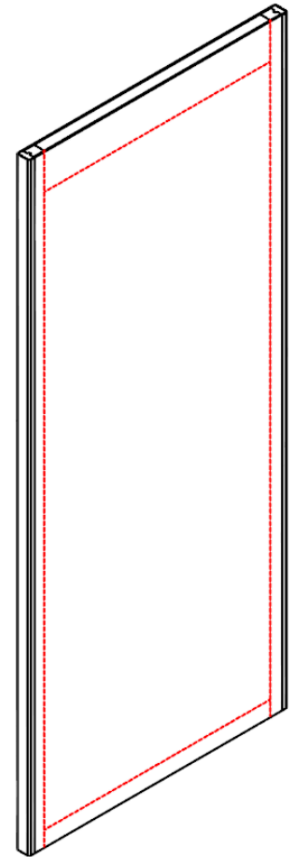
Alternate



**20 Minute Rated SCL5 (SCL5-20PP)**  
**Bonded SCL Core, 5 -Ply Construction, Cat. A, PP**

Fire Test Standards – IBC, UL-10C, CAN/ULC S104, & NFPA 252)

	Single Swing	Pair or Double Egress
Core Type & Standards	Structural Composite Lumber: (38 lb/ft <sup>3</sup> )	
Maximum Sizes	4'3" x 10'0"	8'0" x 10'0"
Protection Plates	Up to 48" (above bottom of door)	
Door Thickness	1-3/4" (+/- 1/16")	
WDMA Prefit Tolerance	Width: (+/- 1/32") Height & Thickness: (+/- 1/16")	
Weight	6.92lb/Ft <sup>2</sup> (3070 Door = 145lbs) (4070 Door = 193lbs)	
Crossband	High Density FSC Fiberboard	
Blocking	(Standard) 5" top rail; 1" Bottom Rail; 1" Fixed Internal Stiles (Additional blocking upon request)	
Assembly Adhesive	Face: Type I (waterproof); Core: Type II (water-resistant)	
Replaceable Edge Stiles & Covers	Field Replaceable SCL Stiles. Acrovyn and/or 20GA #4 finish Stainless Steel Replaceable Covers	
Replaceable Edge Profile	Beveled, Square	
Lites	5" From Edges, 1-1/2" From Hardware or Additional Cutouts	
Max Visible Glass Area	1296 in <sup>2</sup> w/ Hose Stream; 2814in <sup>2</sup> w/ No Hose Stream	
Lite Frames	Wood beads; Metal – Painted, Wood Veneered, Acrovyn Wrapped	
Glazing	Any listed & labeled (20min or greater)	
Louvers	Not Available	
Electronic Options	Electronic hardware & raceways available	
Hinges	Per NFPA 80 "Table 6.4.3.1"	
Points of Latching	Singles = 1pt	Pairs & DE w/ No Hose Stream = 2pts Double Egress w/ Hose Stream = 4pts
Pivots	Offset w/ intermediate (Center hung not allowed)	
Locks	Mortise & Cylindrical (Max 5" Backset)	
Exit Devices	Surface Vertical Rod (Includes LBR), RIM & Mortised	
Concealed Vertical Rod	Available (With concealed 5" metal channel at latch edge)	
Flushbolts	Must Be Extension Type (Metal Door)	
Closing Devices	Mortised or Surface Mounted	
Door Bottoms	Mortised or Surface Mounted	
Transoms	Available – Max opening size 4' x 9'	



Standard



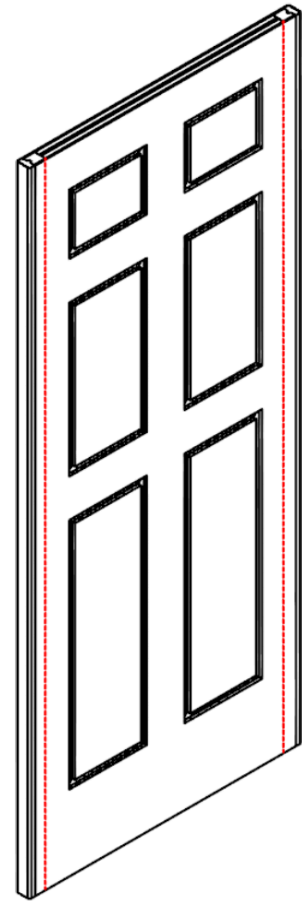
Alternate



**20 Minute Rated Panel Door (PN SCL5-20PP)**  
**Bonded SCL Core, 5 -Ply Construction, Cat. A, PP**

(Fire Test Standards – IBC, UL-10C, CAN/ULC S104, & NFPA 252)

	Single Swing	Pair or Double Egress
Core Type & Standards	Structural Composite Lumber: (38 lb/ft <sup>3</sup> )	
Maximum Sizes	4'0" x 10'0"	8'0" x 10'0"
Protection Plates	Up to 48" (above bottom of door)	
Door Thickness	1-3/4" (+/- 1/16")	
WDMA Prefit Tolerance	Width: (+/- 1/32") Height & Thickness: (+/- 1/16")	
Weight	6.92lb/Ft2 (3070 Door = 145lbs) (4070 Door = 193lbs)	
Crossband	High Density FSC Fiberboard	
Blocking	(Standard) 5" top rail; 1" Bottom Rail; 1" Fixed Internal Stiles (Additional blocking upon request)	
Assembly Adhesive	Face: Type I (waterproof); Core: Type II (water-resistant)	
Replaceable Edge Stiles & Covers	Field Replaceable SCL Stiles. Acrovyn and/or 20GA #4 finish Stainless Steel Replaceable Covers	
Replaceable Edge Profile	Beveled, Square	
Lites	5" From Edges, 1-1/2" From Hardware or Additional Cutouts	
Max Visible Glass Area	1296 in <sup>2</sup> w/ Hose Stream; 2814in <sup>2</sup> w/ No Hose Stream	
Lite Frames	Wood beads; Metal – Painted, Wood Veneered, Acrovyn Wrapped	
Louvers	Not Available	
Electronic Options	Electronic hardware & raceways available	
Hinges	Per NFPA 80 "Table 6.4.3.1"	
Points of Latching	Singles = 1pt	Pairs & DE w/ No Hose Stream = 2pts Double Egress w/ Hose Stream = 4pts
Pivots	Offset w/ intermediate (Center hung not allowed)	
Locks	Mortise & Cylindrical (Max 5" Backset)	
Exit Devices	Surface Vertical Rod (Includes LBR), RIM & Mortised	
Concealed Vertical Rod	Available (With concealed 5" metal channel at latch edge)	
Flushbolts	Must Be Extension Type (Metal Door)	
Closing Devices	Mortised or Surface Mounted	
Door Bottoms	Mortised or Surface Mounted	
Transoms	Available – Max opening size 4' x 9'	
Panel Design Options	8 standard options	
Max Recess of Panel	3/8"	



Standard



Alternate

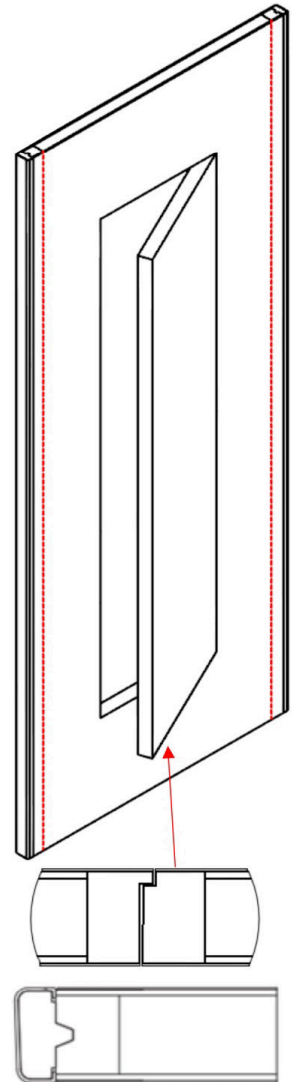


**20 Minute Rated Barrier Resistant (BR SCL5-20PP)  
Bonded SCL Core, 5-Ply Construction, Cat. A, PP**

(Fire Test Standards – IBC, UL-10C, CAN/ULC S104, & NFPA 252)

	<b>Single Swing</b>	
<b>Core Type &amp; Standards</b>	Structural Composite Lumber: (38 lb/ft <sup>3</sup> )	
<b>Maximum Sizes</b>	4'3" X 10'0"	Minimum Width: 2'8"
<b>Wicket Door Size</b>	Standard: 16" X 60", Max Width: 14" LESS main door (Up to 31-3/4"), Max Height: 75-3/4"	
<b>Wicket Door Location</b>	Centered in width; 10" From Bottom of Door	
<b>Protection Plates</b>	Up to 48" (above bottom of door)	
<b>Door Thickness</b>	1-3/4" (+/- 1/16")	
<b>WDMA Prefit Tolerance</b>	Width: (+/- 1/32") Height & Thickness: (+/- 1/16")	
<b>Weight</b>	6.92lb/Ft2 (3070 Door = 145lbs) (4070 Door = 193lbs)	
<b>Crossband</b>	High Density FSC Fiberboard	
<b>Blocking</b>	(Standard) Full Core Blocking; 1" Fixed Internal Stiles	
<b>Assembly Adhesive</b>	Face: Type I (waterproof); Core: Type II (water-resistant)	
<b>Face Matching</b>	Continuous Grain Match Not Available	
<b>Replaceable Edge Stiles &amp; Covers</b>	Field Replaceable SCL Stiles. Acrovyn and/or 20GA #4 finish Stainless Steel Replaceable Covers	
<b>Replaceable Edge Profile</b>	Beveled, Square	
<b>Lites</b>	5" From Edges, 1-1/2" From Hardware or Additional Cutouts	
<b>Max Visible Glass Area</b>	100 in2 (Max width = 4"; Max Height = 33")	
<b>Lite Frames</b>	Wood beads; Metal – Painted, Wood Veneered, Acrovyn Wrapped	
<b>Glazing</b>	Any listed & labeled (20 min or greater)	
<b>Louvers</b>	Not Available	
<b>Electronic Options</b>	Electronic hardware & raceways available	
<b>Hinges (Main Door)</b>	Per NFPA 80 "Table 6.4.3.1"	
<b>Hinges (Wicket Door)</b>	(2) Tectus TE-340-3d, Included By CS	
<b>Pivots (Main Door)</b>	Offset w/ Intermediate	
<b>Locks (Main Door)</b>	Mortise & Cylindrical	
<b>Locks (Wicket Door)</b>	Recommended: Circular drive-in latch, single sided deadbolt	
<b>Exit Devices</b>	Not Available	
<b>Concealed Vertical Rod</b>	Not Available	
<b>Flushbolts</b>	Not Available	
<b>Closing Devices</b>	Mortised or Surface Mounted	
<b>Door Bottoms</b>	Mortised or Surface Mounted	
<b>Transoms</b>	Not Available	

(Not Tested for Detention Application)



Standard



Alternate

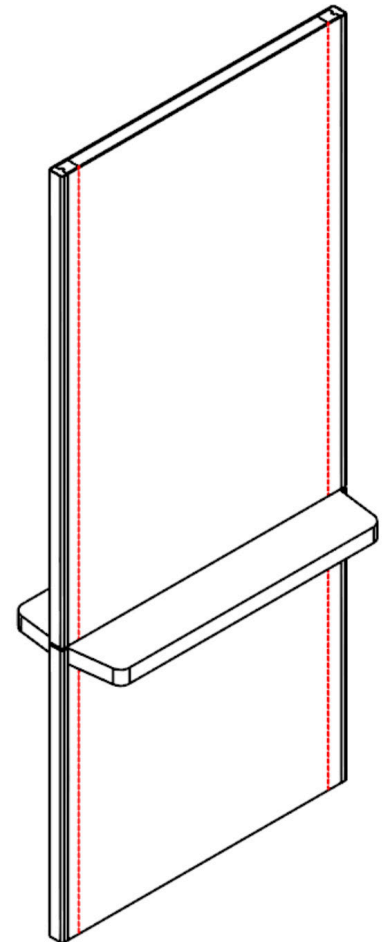




**20 Minute Rated Dutch Door (DD SCL5-20PP)**  
**Bonded SCL Core, 5 -Ply Construction, Cat. A, PP**

(Fire Test Standards – IBC, UL-10C, CAN/ULC S104, & NFPA 252)

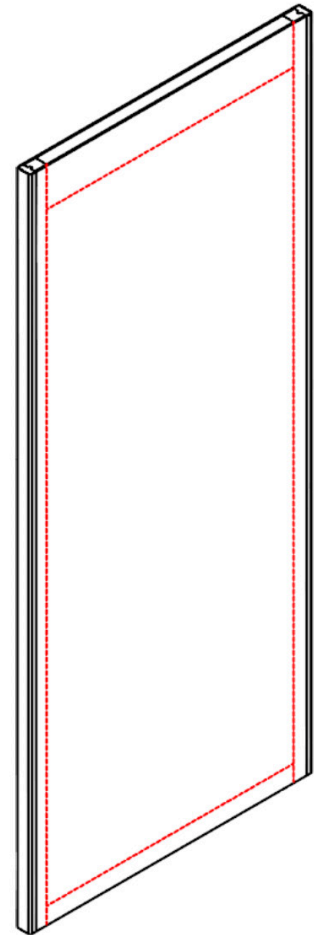
	Single Swing	
Core Type & Standards	Structural Composite Lumber: (38 lb/ft3)	
Maximum Sizes	4'0" x 8'0"	
Protection Plates	Up to 48" (above bottom of door)	
Door Thickness	1-3/4" (+/- 1/16")	
WDMA Prefit Tolerance	Width: (+/- 1/32") Height & Thickness: (+/- 1/16")	
Weight	6.92lb/ft2 (3070 Door = 145lbs) (4070 Door = 193lbs)	
Crossband	High Density FSC Fiberboard	
Blocking	(Standard) 5" top rail; 1" Bottom Rail; 1" Fixed Internal Stiles (Additional blocking upon request)	
Assembly Adhesive	Face: Type I (waterproof); Core: Type II (water-resistant)	
Replaceable Edge Stiles & Covers	Field Replaceable SCL Stiles. Acrovyn and/or 20GA #4 finish Stainless Steel Replaceable Covers	
Replaceable Edge Profile	Beveled, Square	
Lites	5" from edges, 1-1/2" from hardware or additional cutouts	
Max Visible Glass Area	1296 in2 (Top leaf only) Max Visible Glass width = 36"	
Lite Frames	Wood beads; Metal – Painted, Wood Veneered, Acrovyn Wrapped	
Glazing	Any listed & labeled (20min or greater)	
Louvers	Not Available	
Electronic Options	Electronic hardware & raceways available	
Hinges	Per NFPA 80 "Table 6.4.3.1"	
Points of Latching	Singles = 2pt	Each leaf must latch into the frame
Pivots	Offset w/intermediate (Center hung not allowed)	
Locks	Mortise & Cylindrical (Max 5" Backset)	
Exit Devices	Surface Vertical Rod (Includes LBR), RIM & Mortised	
Concealed Vertical Rod	Available (With concealed 5" metal channel at latch edge)	
Flushbolts	Must Be Extension Type (Metal Door)	
Closing Devices	Mortised or Surface Mounted	
Door Bottoms	Mortised or Surface Mounted	
Transoms	Available – Max opening size 4' x 9'	
Shelf Options	Optional – Single or Double sided, with or without gussets Max shelf overhang – 6 inches.	



**45 Minute Rated Mineral (FD5-45PP)**  
**Bonded Mineral Core, 5-Ply Construction, Cat. A, PP**

(Fire Test Standards – IBC, UL-10C, CAN/ULC S104, & NFPA 252)

	Single Swing	Pair or Double Egress
Core Type & Standards	Mineral Composite: (28-35 lb/ft3)	
Maximum Sizes	4'0" x 9'0"	8'0" x 9'0"
Protection Plates	Up to 48" (above bottom of door)	
Door Thickness	1-3/4" (+/- 1/16")	
WDMA Prefit Tolerance	Width: (+/- 1/32") Height & Thickness: (+/- 1/16")	
Weight	6.20lb/ft2 (3070 Door = 130lbs) (4070 Door = 173lbs)	
Crossband	High Density FSC Fiberboard	
Blocking	(Standard) 5" top rail; 1" Bottom Rail; 1" Fixed Internal Stiles (Additional blocking upon request)	
Assembly Adhesive	Face: Type I (waterproof); Core: Type II (water-resistant)	
Replaceable Edge Stiles & Covers	Non-Replaceable Mineral/SCL Stiles. Acrovyn and/or 20GA #4 finish Stainless Steel Replaceable Covers	
Replaceable Edge Profile	Beveled, Square	
Lites	6" from edges, 5" from hardware or additional cutouts	
Max Visible Glass Area	1296 in2	
Lite Frames	Wood beads; Metal – Painted, Wood Veneered, Acrovyn Wrapped	
Glazing	Any listed & labeled (45min or greater)	
Louvers	Not Available	
Electronic Options	Electronic hardware & raceways available	
Hinges	Per NFPA 80 "Table 6.4.3.1"	
Points of Latching	Singles = 1pt	Pairs = 3pts (2pts w/ Blue Core) DE Pairs = 4pts (2pts w/ Blue Core)
Pivots	Offset w/intermediate (Center hung not allowed)	
Locks	Mortise & Cylindrical (Max 5" Backset)	
Exit Devices	Surface Vertical Rod (Includes LBR), RIM & Mortised	
Concealed Vertical Rod	Available (With concealed 5" metal channel at latch edge)	
Flushbolts	Must Be Extension Type (Metal Door)	
Closing Devices	Mortised or Surface Mounted	
Door Bottoms	Mortised or Surface Mounted	
Transoms	Not Available	



Standard



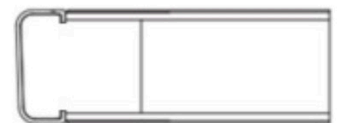
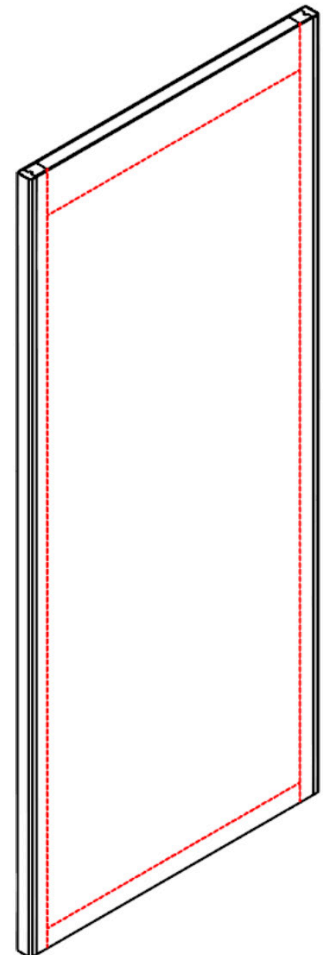
Alternate



**45 Minute Rated Mineral STC35/34 (FD5-45PP STC 35/34)  
Bonded Agrifiber Core, 5-Ply Construction, Cat. A, PP**

(Fire Test Standards – IBC, UL-10C, CAN/ULC S104, & NFPA 252)

	Single Swing (STC35)	Pair or Double Egress (STC34)
Core Type & Standards	Mineral Composite: (28-35 lb/ft3)	
Maximum Sizes	4'0" x 9'0"	8'0" x 9'0"
Protection Plates	Up to 48" (above bottom of door)	
Door Thickness	1-3/4" (+/- 1/16")	
WDMA Prefit Tolerance	Width: (+/- 1/32") Height & Thickness: (+/- 1/16")	
Weight	6.20lb/ft2 (3070 Door = 130lbs) (4070 Door = 173lbs)	
Crossband	High Density FSC Fiberboard	
Blocking	(Standard) 5" top rail; 1" Bottom Rail; 1" Fixed Internal Stiles (Additional blocking upon request)	
Assembly Adhesive	Face: Type I (waterproof); Core: Type II (water-resistant)	
Replaceable Edge Stiles & Covers	Non-Replaceable Mineral/SCL Stiles. Acrovyn and/or 20GA #4 finish Stainless Steel Replaceable Covers	
Replaceable Edge Profile	Beveled, Square	
Lites	Not Available	
Louvers	Not Available	
Electronic Options	Electronic hardware & raceways available	
Hinges	Per NFPA 80 "Table 6.4.3.1"	
Points of Latching	Singles = 1pt	Pairs = 3pts (2pts w/ Blue Core) DE Pairs = 4pts (2pts w/ Blue Core)
Pivots	Offset w/intermediate (Center hung not allowed)	
Locks	Mortise & Cylindrical (Max 5" Backset)	
Exit Devices	Surface Vertical Rod (Includes LBR), RIM & Mortised	
Concealed Vertical Rod	Not Available	
Flushbolts	Must Be Extension Type (Metal Door)	
Closing Devices	Surface Mounted	
Door Bottoms	Mortised or Surface Mounted	
STC-35 (Singles) (Required Gaskets Option 1)	Pemko: S773 on head & jambs at stop face. S44 at head and jambs at outside rabbet, and 3692APK773	
STC-35 (Singles) (Required Gaskets Option 2)	Pemko: S773 on head & jambs at stop face. S44 at head and jambs at outside rabbet. S771 lock stile at edge of leaf, and 3692APK773	
STC-35 (Singles) (Required Gasketing)	Pemko: S773 on head, jambs, strike stile & bottom rail. S44 on head & jambs. S1125 on lock & strike stile, 357 astragal, PDB411, and ACP112	



Standard



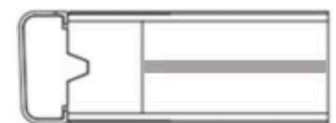
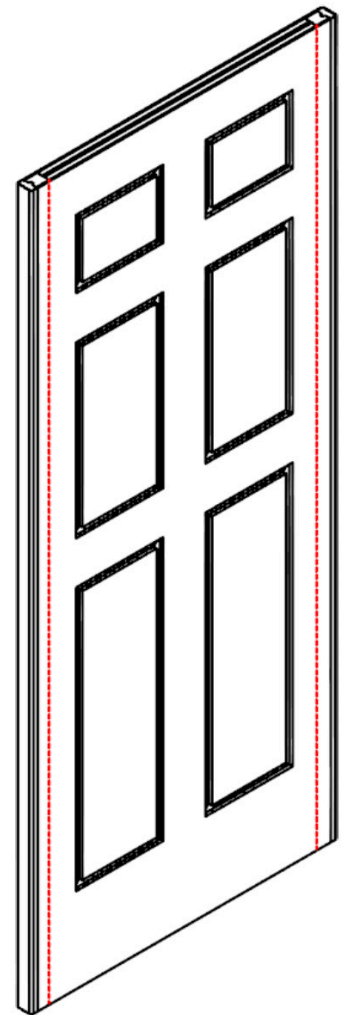
Alternate



**45 Minute Rated Panel Door (PN FD7-45PP)**  
**Bonded SCL Hybrid Core, 7-Ply Construction, Cat. A, PP**

(Fire Test Standards – IBC, UL-10C, CAN/ULC S104, & NFPA 252)

	Single Swing	Pair or Double Egress
Core Type & Standards	SCL Hybrid: (60 lb/ft3)	
Maximum Sizes	4'0" x 9'0"	8'0" x 9'0"
Protection Plates	Up to 48" (above bottom of door)	
Door Thickness	1-3/4" (+/- 1/16")	
WDMA Prefit Tolerance	Width: (+/- 1/32") Height & Thickness: (+/- 1/16")	
Weight	6.92lb/ft2 (3070 Door = 145lbs) (4070 Door = 193lbs)	
Crossband	High Density FSC Fiberboard	
Blocking	(Standard) 5" top rail; 2" Bottom Rail; 5" Fixed Internal Stiles (Additional blocking upon request)	
Assembly Adhesive	Face: Type I (waterproof); Core: Type II (water-resistant)	
Replaceable Edge Stiles & Covers	Non-Replaceable Mineral/SCL Stiles. Acrovyn and/or 20GA #4 finish Stainless Steel Replaceable Covers	
Replaceable Edge Profile	Beveled, Square	
Lites	Not Available	
Max Visible Glass Area	Not Available	
Lite Frames	Not Available	
Louvers	Not Available	
Electronic Options	Not Available	
Hinges	Per NFPA 80 "Table 6.4.3.1"	
Points of Latching	Singles = 1pt	Pairs = 2pts DE Pairs = 3pts
Pivots	Offset w/intermediate (Center hung not allowed)	
Locks	Mortise & Cylindrical (Max 5" Backset)	
Exit Devices	Surface Vertical Rod (Includes LBR), RIM & Mortised	
Concealed Vertical Rod	Not Available	
Flushbolts	Must Be Extension Type (Metal Door)	
Closing Devices	Surface Mounted	
Door Bottoms	Mortised or Surface Mounted	
Transoms	Not Available	
Panel Design Options	8 standard options	
Max Recess of Panel	3/8"	



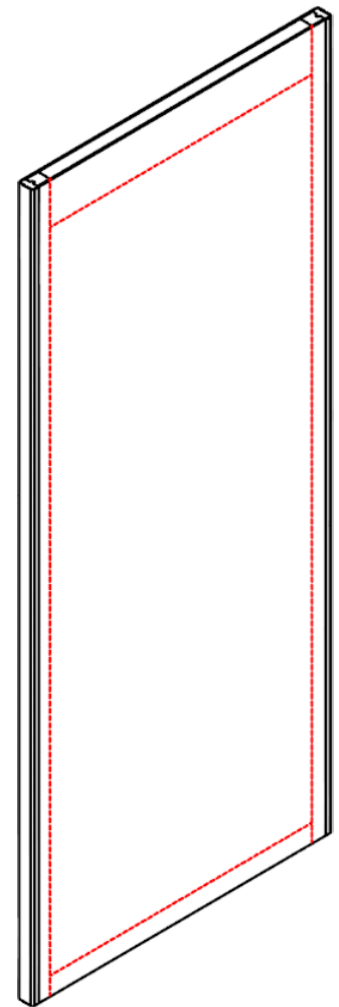
The mark of responsible forestry



**60 Minute Rated Mineral (FD5-60PP)**  
**Bonded Mineral Core, 5-Ply Construction, Cat. A, PP**

(Fire Test Standards – IBC, UL-10C, CAN/ULC S104, & NFPA 252)

	Single Swing	Pair or Double Egress
Core Type & Standards	Mineral Composite: (28-35 lb/ft3)	
Maximum Sizes	4'0" x 9'0"	8'0" x 9'0"
Protection Plates	Up to 48" (above bottom of door)	
Door Thickness	1-3/4" (+/- 1/16")	
WDMA Prefit Tolerance	Width: (+/- 1/32") Height & Thickness: (+/- 1/16")	
Weight	6.20lb/ft2 (3070 Door = 130lbs) (4070 Door = 173lbs)	
Crossband	High Density FSC Fiberboard	
Blocking	(Standard) 5" top rail; 1" Bottom Rail; 1" Fixed Internal Stiles (Additional blocking upon request)	
Assembly Adhesive	Face: Type I (waterproof); Core: Type II (water-resistant)	
Replaceable Edge Stiles & Covers	Field Replaceable Mineral/SCL Stiles. Acrovyn and/or 20GA #4 finish Stainless Steel Replaceable Covers	
Replaceable Edge Profile	Beveled, Square	
Lites	6" from edges, 5" from hardware or additional cutouts	
Max Visible Glass Area	100 in2	
Lite Frames	Wood beads; Metal – Painted, Wood Veneered, Acrovyn Wrapped	
Glazing	Any listed & labeled (60min or greater)	
Louvers	Not Available	
Electronic Options	Electronic hardware & raceways available	
Hinges	Per NFPA 80 "Table 6.4.3.1"	
Points of Latching	Singles = 1pt	Pairs = 4pts (2pts w/ Blue Core) DE Pairs = 4pts (2pts w/ Blue Core)
Pivots	Offset w/intermediate (Center hung not allowed)	
Locks	Mortise & Cylindrical (Max 5" Backset)	
Exit Devices	Surface Vertical Rod (Includes LBR), RIM & Mortised	
Concealed Vertical Rod	Available (With concealed 5" metal channel at latch edge)	
Flushbolts	Must Be Extension Type (Metal Door)	
Closing Devices	Mortised or Surface Mounted	
Door Bottoms	Mortised or Surface Mounted	
Transoms	Not Available	



Standard



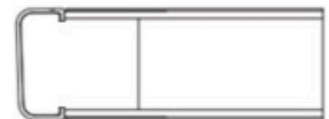
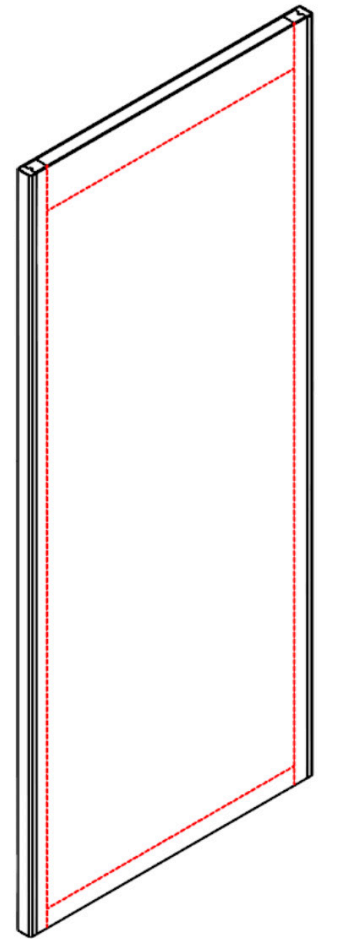
Alternate



**60 Minute Rated Mineral STC35/34 (FD5-60PP STC 35/34)  
Bonded Mineral Core, 5-Ply Construction, Cat. A, PP**

(Fire Test Standards – IBC, UL-10C, CAN/ULC S104, & NFPA 252)

	Single Swing (STC35)	Pair or Double Egress (STC34)
Core Type & Standards	Mineral Composite: (28-35 lb/ft3)	
Complies with CARB Phase I & II Emission Standards		
Maximum Sizes	4'0" x 9'0"	8'0" x 9'0"
Protection Plates	Up to 48" (above bottom of door)	
Door Thickness	1-3/4" (+/- 1/16")	
WDMA Prefit Tolerance	Width: (+/- 1/32") Height & Thickness: (+/- 1/16")	
Weight	6.20lb/ft2 (3070 Door = 130lbs) (4070 Door = 173lbs)	
Crossband	High Density FSC Fiberboard	
Blocking	(Standard) 5" top rail; 1" Bottom Rail; 1" Fixed Internal Stiles (Additional blocking upon request)	
Assembly Adhesive	Face: Type I (waterproof); Core: Type II (water-resistant)	
Replaceable Edge Stiles & Covers	Field Replaceable Mineral/SCL Stiles. Acrovyn and/or 20GA #4 finish Stainless Steel Replaceable Covers	
Replaceable Edge Profile	Beveled, Square	
Lites	Not Available	
Louvers	Not Available	
Electronic Options	Electronic hardware & raceways available	
Hinges	Per NFPA 80 "Table 6.4.3.1"	
Points of Latching	Singles = 1pt	Pairs = 3pts (2pts w/ Blue Core) DE Pairs = 4pts (2pts w/ Blue Core)
Pivots	Offset w/intermediate (Center hung not allowed)	
Locks	Mortise & Cylindrical (Max 5" Backset)	
Exit Devices	Surface Vertical Rod (Includes LBR), RIM & Mortised	
Concealed Vertical Rod	Not Available	
Flushbolts	Must Be Extension Type (Metal Door)	
Closing Devices	Surface Mounted	
Door Bottoms	Mortised or Surface Mounted	
STC-35 (Singles) (Required Gaskets Option 1)	Pemko: S773 on head & jambs at stop face. S44 at head and jambs at outside rabbet, and 3692APK773	
STC-35 (Singles) (Required Gaskets Option 2)	Pemko: S773 on head & jambs at stop face. S44 at head and jambs at outside rabbet. S771 lock stile at edge of leaf, and 3692APK773	
STC-35 (Singles) (Required Gasketing)	Pemko: S773 on head, jambs, strike stile & bottom rail. S44 on head & jambs. S1125 on lock & strike stile, 357 astragal, PDB411, and ACP112	



Standard



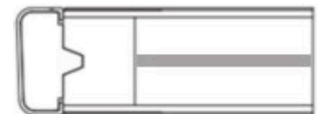
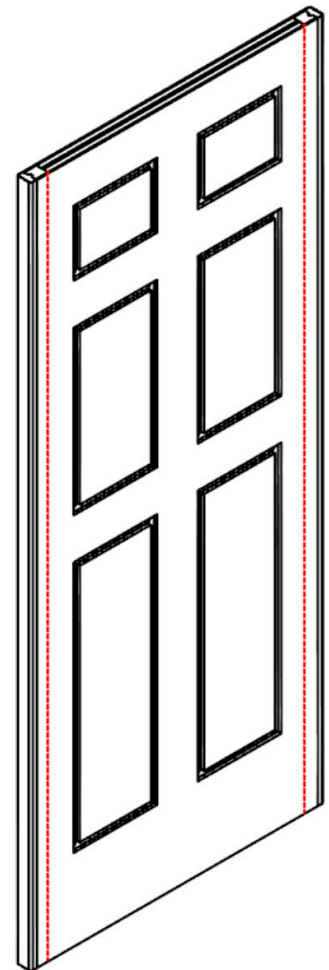
Alternate



**90 Minute Rated Mineral (FD5-90PP)  
Bonded Mineral Core, 5-Ply Construction, Cat. A, PP**

(Fire Test Standards – IBC, UL-10C, CAN/ULC S104, & NFPA 252)

	Single Swing	Pair or Double Egress
Core Type & Standards	SCL Hybrid: (60 lb/ft3)	
Complies with CARB Phase I & II Emission Standards		
Maximum Sizes	4'0" x 9'0"	8'0" x 9'0"
Protection Plates	Up to 48" (above bottom of door)	
Door Thickness	1-3/4" (+/- 1/16")	
WDMA Prefit Tolerance	Width: (+/- 1/32") Height & Thickness: (+/- 1/16")	
Weight	6.92lb/ft2 (3070 Door = 145lbs) (4070 Door = 193lbs)	
Crossband	High Density FSC Fiberboard	
Blocking	(Standard) 5" top rail; 2" Bottom Rail; 5" Fixed Internal Stiles (Additional blocking upon request)	
Assembly Adhesive	Face: Type I (waterproof); Core: Type II (water-resistant)	
Replaceable Edge Stiles & Covers	Field Replaceable Mineral/SCL Stiles. Acrovyn and/or 20GA #4 finish Stainless Steel Replaceable Covers	
Replaceable Edge Profile	Beveled, Square	
Lites	Not Available	
Max Visible Glass Area	Not Available	
Lite Frames	Not Available	
Louvers	Not Available	
Electronic Options	Not Available	
Hinges	Per NFPA 80 "Table 6.4.3.1"	
Points of Latching	Singles = 1pt	Pairs = 3pts DE Pairs = 2pts
Pivots	Offset w/intermediate (Center hung not allowed)	
Locks	Mortise & Cylindrical (Max 5" Backset)	
Exit Devices	Surface Vertical Rod (Includes LBR), RIM & Mortised	
Concealed Vertical Rod	Not Available	
Flushbolts	Must Be Extension Type (Metal Door)	
Closing Devices	Surface Mounted	
Door Bottoms	Mortised or Surface Mounted	
Transoms	Not Available	
Panel Design Options	8 standard options	
Max Recess of Panel	3/8"	

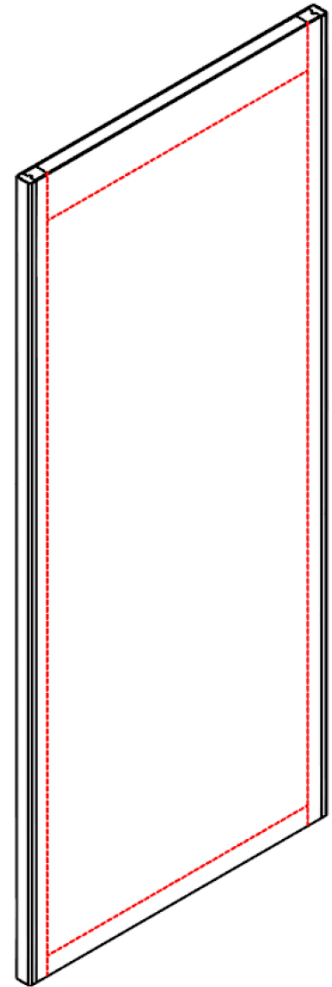




**90 Minute Rated Mineral (FD5-90PP)  
Bonded Mineral Core, 5-Ply Construction, Cat. A, PP**

(Fire Test Standards – IBC, UL-10C, CAN/ULC S104, & NFPA 252)

	Single Swing	Pair or Double Egress
Core Type & Standards	GP Blue Core: (28-35 lb/ft3)	
Complies with CARB Phase I & II Emission Standards		
Maximum Sizes	4'0" x 9'0"	8'0" x 9'0"
Protection Plates	Up to 48" (above bottom of door)	
Door Thickness	1-3/4" (+/- 1/16")	
WDMA Prefit Tolerance	Width: (+/- 1/32") Height & Thickness: (+/- 1/16")	
Weight	6.58lb/ft2 (3070 Door = 137lbs) (4070 Door = 184lbs)	
Crossband	High Density FSC Fiberboard	
Blocking	(Standard) 5" top rail; 2" Bottom Rail; 5" Fixed Internal Stiles (Additional blocking upon request)	
Assembly Adhesive	Face: Type I (waterproof); Core: Type II (water-resistant)	
Replaceable Edge Stiles & Covers	Field Replaceable Mineral/SCL Stiles. Acrovyn and/or 20GA #4 finish Stainless Steel Replaceable Covers	
Replaceable Edge Profile	Beveled, Square	
Lites	6" from edges, 5" from hardware or additional cutouts	
Max Visible Glass Area	100 in2	
Lite Frames	Wood beads; Metal – Painted, Wood Veneered, Acrovyn Wrapped	
Glazing	Any listed & labeled (90min or greater)	
Louvers	Not Available	
Electronic Options	Electronic hardware & raceways available	
Hinges	Per NFPA 80 "Table 6.4.3.1"	
Points of Latching	Singles = 1pt	Pairs = 2pts Double Egress = 4pts
Pivots	Offset w/intermediate (Center hung not allowed)	
Locks	Mortise & Cylindrical (Max 5" Backset)	
Exit Devices	Surface Vertical Rod (Includes LBR), RIM & Mortised	
Concealed Vertical Rod	Available (With concealed 5" metal channel at latch edge)	
Flushbolts	Must Be Extension Type (Metal Door)	
Closing Devices	Mortised or Surface Mounted	
Door Bottoms	Mortised or Surface Mounted	
Transoms	Not Available	



Standard



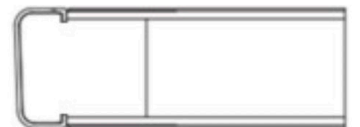
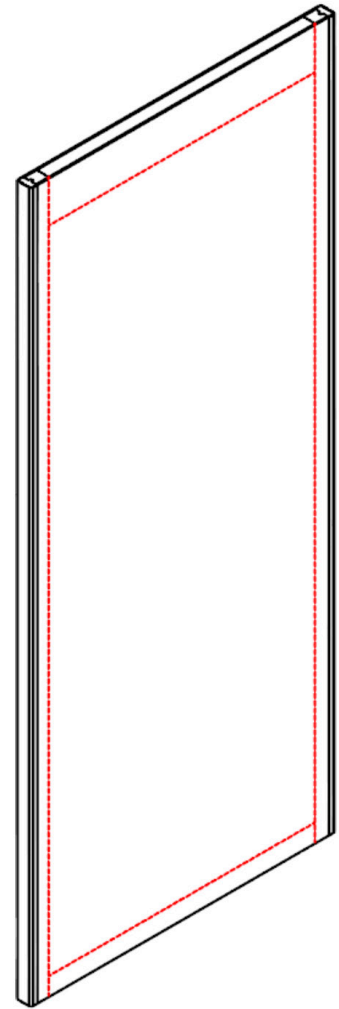
Alternate



**90 Minute Rated Mineral STC36 (FD5-90PP STC 36)  
Bonded Mineral Core, 5-Ply Construction, Cat. A, PP**

(Fire Test Standards – IBC, UL-10C, CAN/ULC S104, & NFPA 252)

	Single Swing
Core Type & Standards	GP Blue Core: (28-35 lb/ft3)
Maximum Sizes	4'0" x 9'0"
Protection Plates	Up to 48" (above bottom of door)
Door Thickness	1-3/4" (+/- 1/16")
WDMA Prefit Tolerance	Width: (+/- 1/32") Height & Thickness: (+/- 1/16")
Weight	6.58lb/ft2 (3070 Door = 137lbs) (4070 Door = 184lbs)
Crossband	High Density FSC Fiberboard
Blocking	(Standard) 5" top rail; 2" Bottom Rail; 5" Fixed Internal Stiles (Additional blocking upon request)
Assembly Adhesive	Face: Type I (waterproof); Core: Type II (water-resistant)
Replaceable Edge Stiles & Covers	Non-Replaceable Mineral/SCL Stiles. Acrovyn and/or 20GA #4 finish Stainless Steel Replaceable Covers
Replaceable Edge Profile	Beveled, Square
Lites	Not Available
Louvers	Not Available
Electronic Options	Electronic hardware & raceways available
Hinges	Per NFPA 80 "Table 6.4.3.1"
Points of Latching	Singles = 1 pt
Pivots	Offset w/intermediate (Center hung not allowed)
Locks	Mortise & Cylindrical (Max 5" Backset)
Exit Devices	Surface Vertical Rod (Includes LBR), RIM & Mortised
Concealed Vertical Rod	Not Available
Flushbolts	Must Be Extension Type (Metal Door)
Closing Devices	Surface Mounted
Door Bottoms	Mortised or Surface Mounted
Transoms	Not Available
STC-36 Operable (Required Gaskets Option 1)	Pemko: S773 on head & jambs at stop face. S44 at head and jambs at outside rabbet, and 3692APK773
STC-36 Operable (Required Gaskets Option 2)	Pemko: S773 on head & jambs at stop face. S44 at head and jambs at outside rabbet. S771 lock stile at edge of leaf, and 3692APK773
STC-36 Operable (Required Gaskets Option 3)	Pemko: S44 on head & jambs at stop face. S44 at head & jambs at outside rabbet. S771 lock stile at edge of leaf, and 3692APK773



Standard

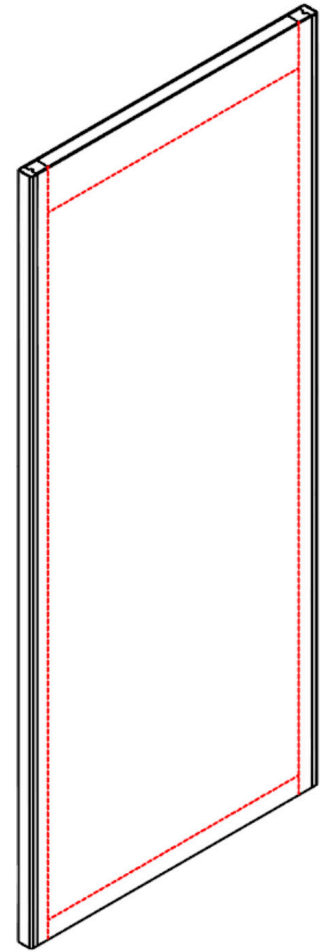


Alternate



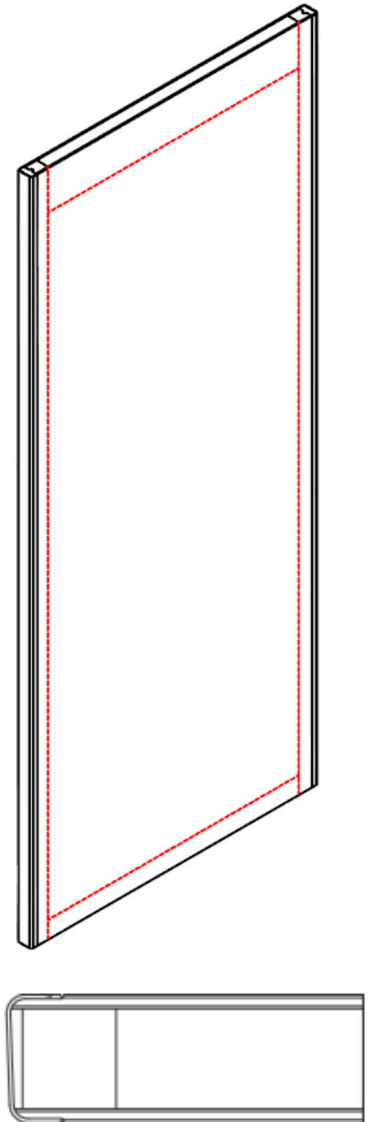
**Lead Lined, Non-Rated FSC Particleboard (LL FSC7-NR)  
Bonded FSC Particleboard Core, 7-Ply Construction**

	Single Swing	Pair or Double Egress
Core Type & Standards	FSC Particleboard: ANSI A208.1.2009 grade LD-1 (32 lb/ft <sup>3</sup> )	
Complies with CARB Phase I & II Emission Standards		
Maximum Sizes	4'0" x 8'0"	8'0" x 8'0" (Requires Lead Astragal)
Protection Plates	Up to 48" (above bottom of door)	
Door Thickness	1-3/4" OR 1-3/8" (+/- 1/16")	
Lead Thickness	1/16" (4lb) or 1/8" (8lb), Balanced Construction	
WDMA Prefit Tolerance	Width: (+/- 1/32") Height & Thickness: (+/- 1/16")	
Weight	1/16" Lead – 8.96lb/ft <sup>2</sup> (3070 = 186lbs) (4070 = 251lbs) 1/8" Lead – 12.79lb/ft <sup>2</sup> (3070 = 265lbs) (4070 = 358lbs)	
Crossband	High Density FSC Fiberboard	
Blocking	(Standard) 5" top rail; 1" Bottom Rail; 1" Fixed Internal Stiles (Additional blocking upon request)	
Assembly Adhesive	Face: Type I (waterproof); Core: Type II (water-resistant)	
Replaceable Edge Stiles & Covers	Non-Replaceable SCL Stiles. Acrovyn and/or 20GA #4 finish Stainless Steel Replaceable Covers	
Replaceable Edge Profile	Beveled, Square	
Lites	5" from edges, 1-1/2" from hardware or additional cutouts	
Lite Frames	Metal Lead Lined– Painted, Wood Veneered, Acrovyn Wrapped	
Glazing	Any appropriate lead equivalency	
Louvers	Not Available	
Electronic Options	Electronic hardware & raceways available	
Hinges	Mortised, Surface & Continuous	
Pivots	Center Hung & Offset w/ Intermediate	
Locks	Mortise & Cylindrical	
Exit Devices	Surface Vertical Rod (Includes LBR), RIM & Mortised	
Concealed Vertical Rod	Not Available	
Flushbolts	Must Be Extension Type (Metal Door)	
Closing Devices	Mortised or Surface Mounted (Mortised will affect lead)	
Door Bottoms	Mortised or Surface Mounted (Mortised will affect lead)	
Transoms	Not Available	



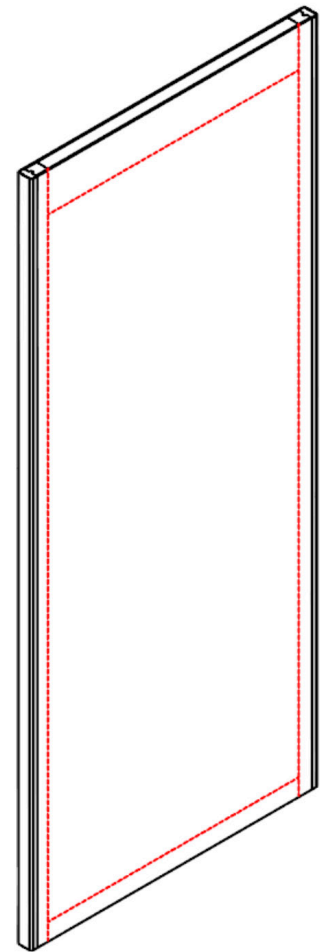
**Lead Lined, Non-Rated Particleboard (LL PC7-NR)  
Bonded Particleboard Core, 7-Ply Construction**

	Single Swing	Pair or Double Egress
Core Type & Standards	Particleboard: ANSI A208.1.2009 grade LD-1 (32 lb/ft3)	
Maximum Sizes	4'0" x 8'0"	8'0" x 8'0" (Requires Lead Astragal)
Protection Plates	Up to 48" (above bottom of door)	
Door Thickness	1-3/4" (+/- 1/16")	
Lead Thickness	1/16" (4lb) or 1/8" (8lb), Balanced Construction	
WDMA Prefit Tolerance	Width: (+/- 1/32") Height & Thickness: (+/- 1/16")	
Weight	1/16" Lead – 9.01lb/ft2 (3070 = 187lbs) (4070 = 252lbs) 1/8" Lead – 12.84lb/ft2 (3070 = 267lbs) (4070 = 360lbs)	
Crossband	High Density FSC Fiberboard	
Blocking	(Standard) 5" top rail; 1" Bottom Rail; 1" Fixed Internal Stiles (Additional blocking upon request)	
Assembly Adhesive	Face: Type I (waterproof); Core: Type II (water-resistant)	
Replaceable Edge Stiles & Covers	Non-Replaceable SCL Stiles. Acrovyn and/or 20GA #4 finish Stainless Steel Replaceable Covers	
Replaceable Edge Profile	Beveled, Square	
Lites	5" from edges, 1-1/2" from hardware or additional cutouts	
Lite Frames	Metal Lead Lined– Painted, Wood Veneered, Acrovyn Wrapped	
Glazing	Any appropriate lead equivalency	
Louvers	Not Available	
Electronic Options	Electronic hardware & raceways available	
Hinges	Mortised, Surface & Continuous	
Pivots	Center Hung & Offset w/ Intermediate	
Locks	Mortise & Cylindrical	
Exit Devices	Surface Vertical Rod (Includes LBR), RIM & Mortised	
Concealed Vertical Rod	Not Available	
Flushbolts	Must Be Extension Type (Metal Door)	
Closing Devices	Mortised or Surface Mounted (Mortised will affect lead)	
Door Bottoms	Mortised or Surface Mounted (Mortised will affect lead)	
Transoms	Not Available	



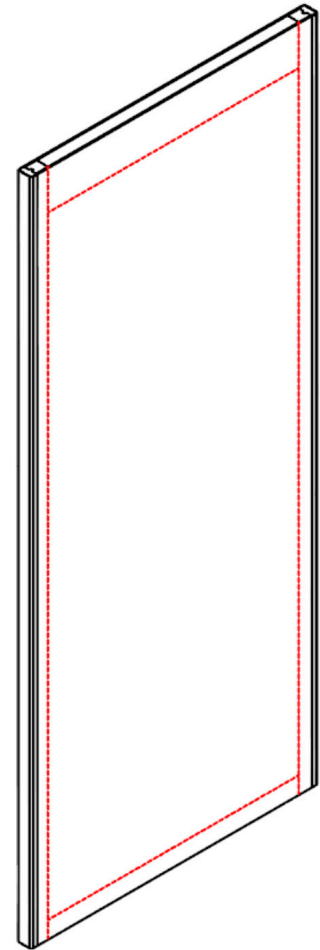
**Lead Lined, Non-Rated SCL (LL SCL7-NR)**  
**Bonded SCL Core, 7-Ply Construction**

	Single Swing	Pair or Double Egress
Core Type & Standards	Structural Composite Lumber: (39 Lb/Ft3)	
Maximum Sizes	4'0" x 8'0"	8'0" x 8'0" (Requires Lead Astragal)
Protection Plates	Up to 48" (above bottom of door)	
Door Thickness	1-3/4" (+/- 1/16")	
Lead Thickness	1/16" (4lb) or 1/8" (8lb), Balanced Construction	
WDMA Prefit Tolerance	Width: (+/- 1/32") Height & Thickness: (+/- 1/16")	
Weight	1/16" Lead - 10.63lb/ft2 (3070 = 221lbs) (4070 = 298lbs) 1/8" Lead - 14.46lb/ft2 (3070 = 300lbs) (4070 = 405lbs)	
Crossband	High Density FSC Fiberboard	
Blocking	(Standard) 5" top rail; 1" Bottom Rail; 1" Fixed Internal Stiles (Additional blocking upon request)	
Assembly Adhesive	Face: Type I (waterproof); Core: Type II (water-resistant)	
Replaceable Edge Stiles & Covers	Non-Replaceable SCL Stiles. Acrovyn and/or 20GA #4 finish Stainless Steel Replaceable Covers	
Replaceable Edge Profile	Beveled, Square	
Lites	5" from edges, 1-1/2" from hardware or additional cutouts	
Lite Frames	Metal Lead Lined- Painted, Wood Veneered, Acrovyn Wrapped	
Glazing	Any appropriate lead equivalency	
Louvers	Not Available	
Electronic Options	Electronic hardware & raceways available	
Hinges	Mortised, Surface & Continuous	
Pivots	Center Hung & Offset w/ Intermediate	
Locks	Mortise & Cylindrical	
Exit Devices	Surface Vertical Rod (Includes LBR), RIM & Mortised	
Concealed Vertical Rod	Not Available	
Flushbolts	Must Be Extension Type (Metal Door)	
Closing Devices	Mortised or Surface Mounted (Mortised will affect lead)	
Door Bottoms	Mortised or Surface Mounted (Mortised will affect lead)	
Transoms	Not Available	



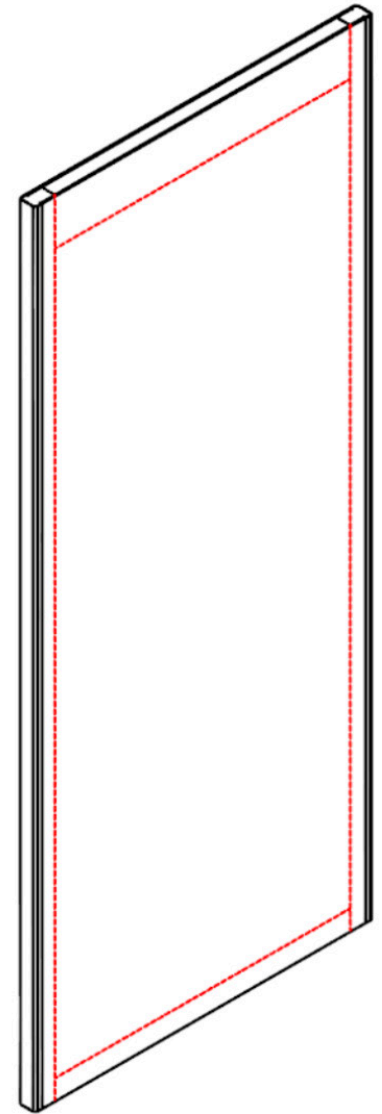
**Lead Lined, 20 Minute Rated FSC Particleboard (LL FSC7-20PP)  
Bonded FSC Particleboard Core, 7-Ply Construction, Cat. A, PP**

	Single Swing	Pair or Double Egress
Core Type & Standards	FSC Certified Particleboard: ANSI A208.1.2009 grade LD-1 (32 lb/ft3)	
Complies with CARB Phase I & II Emission Standards		
Maximum Sizes	4'0" x 8'0"	8'0" x 8'0"
Protection Plates	Up to 48" (above bottom of door)	
Door Thickness	1-3/4" (+/- 1/16")	
WDMA Prefit Tolerance	Width: (+/- 1/32") Height & Thickness: (+/- 1/16")	
Weight	1/16" Lead – 8.96lb/ft2 (3070 = 186lbs) (4070 = 251lbs)	
Crossband	High Density FSC Fiberboard	
Blocking	(Standard) 5" top rail; 1" Bottom Rail; 1" Fixed Internal Stiles (Additional blocking upon request)	
Assembly Adhesive	Face: Type I (waterproof); Core: Type II (water-resistant)	
Replaceable Edge Stiles & Covers	Non-Replaceable SCL Stiles. Acrovyn and/or 20GA #4 finish Stainless Steel Replaceable Covers	
Replaceable Edge Profile	Beveled, Square	
Lites	5" from edges, 1-1/2" from hardware or additional cutouts	
Lite Frames	Metal Lead Lined– Painted, Wood Veneered	
Glazing	Any appropriate lead equivalency Any listed & labeled (20 min or greater)	
Louvers	Not Available	
Electronic Options	Electronic hardware & raceways available	
Hinges	Per NFPA 80 "Table 6.4.3.1"	
Pivots	Offset w/ Intermediate (Center hung – Not Available)	
Locks	Mortise & Cylindrical	
Exit Devices	Surface Vertical Rod (Includes LBR), RIM & Mortised	
Concealed Vertical Rod	Not Available	
Flushbolts	Must Be Extension Type (Metal Door)	
Closing Devices	Mortised or Surface Mounted (Mortised will affect lead)	
Door Bottoms	Mortised or Surface Mounted (Mortised will affect lead)	
Transoms	Not Available	



**Lead Lined, 20 Minute Rated Particleboard (LL PC7-20PP)  
Bonded Particleboard Core, 7-Ply Construction, Cat. A, PP**

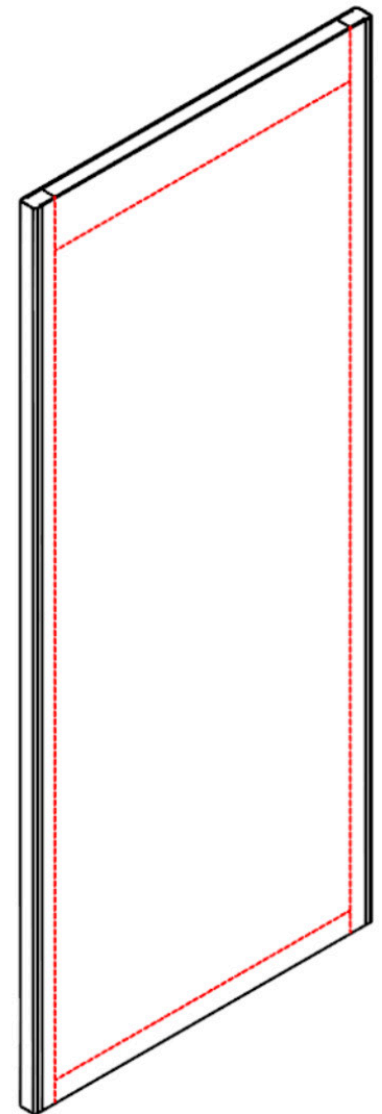
	Single Swing	Pair or Double Egress
Core Type & Standards	Particleboard: ANSI A208.1.2009 grade LD-1 (32 lb/ft3)	
Maximum Sizes	4'0" x 8'0"	8'0" x 8'0"
Protection Plates	Up to 48" (above bottom of door)	
Door Thickness	1-3/4" (+/- 1/16")	
Lead Thickness	1/16" (4lb), Balanced Construction	
WDMA Prefit Tolerance	Width: (+/- 1/32") Height & Thickness: (+/- 1/16")	
Weight	1/16" Lead – 8.96lb/ft2 (3070 = 186lbs) (4070 = 251lbs)	
Crossband	High Density FSC Fiberboard	
Blocking	(Standard) 5" top rail; 1" Bottom Rail; 1" Fixed Internal Stiles (Additional blocking upon request)	
Assembly Adhesive	Face: Type I (waterproof); Core: Type II (water-resistant)	
Replaceable Edge Stiles & Covers	Non-Replaceable SCL Stiles. Acrovyn and/or 20GA #4 finish Stainless Steel Replaceable Covers	
Replaceable Edge Profile	Beveled, Square	
Lites	5" from edges, 1-1/2" from hardware or additional cutouts	
Lite Frames	Metal Lead Lined– Painted, Wood Veneered	
Glazing	Any appropriate lead equivalency Any listed & labeled (20 min or greater)	
Louvers	Not Available	
Electronic Options	Electronic hardware & raceways available	
Hinges	Per NFPA 80 "Table 6.4.3.1"	
Pivots	Offset w/ Intermediate (Center hung – Not Available)	
Locks	Mortise & Cylindrical	
Exit Devices	Surface Vertical Rod (Includes LBR), RIM & Mortised	
Concealed Vertical Rod	Not Available	
Flushbolts	Must Be Extension Type (Metal Door)	
Closing Devices	Mortised or Surface Mounted (Mortised will affect lead)	
Door Bottoms	Mortised or Surface Mounted (Mortised will affect lead)	
Transoms	Not Available	





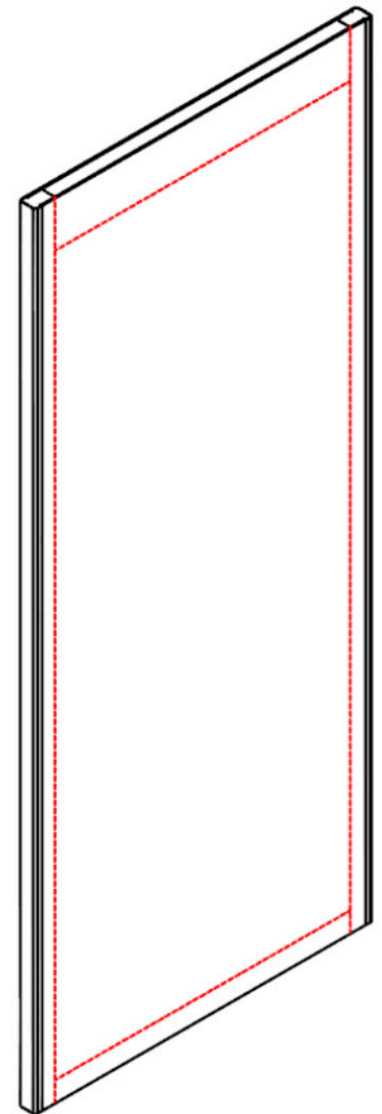
**Lead Lined, 45 Minute Rated Mineral (LL FD7-45PP)  
Bonded Mineral Core, 7-Ply Construction, Cat. A, PP**

	Single Swing	Pair or Double Egress
Core Type & Standards	Mineral Composite: (28-35 lb/ft3)	
Maximum Sizes	4'0" x 9'0"	8'0" x 9'0" (Requires Lead Astragal)
Protection Plates	Up to 48" (above bottom of door)	
Door Thickness	1-3/4" (+/- 1/16")	
Lead Thickness	1/16" (4lb), Balanced Construction	
WDMA Prefit Tolerance	Width: (+/- 1/32") Height & Thickness: (+/- 1/16")	
Weight	1/16" Lead – 10.63lb/ft2 (3070 = 206lbs) (4070 = 277lbs) 1/8" Lead – 14.46lb/ft2 (3070 = 286lbs) (4070 = 385lbs)	
Crossband	High Density FSC Fiberboard	
Blocking	(Standard) 5" top rail; 1" Bottom Rail; 1" Fixed Internal Stiles (Additional blocking upon request)	
Assembly Adhesive	Face: Type I (waterproof); Core: Type II (water-resistant)	
Replaceable Edge Stiles & Covers	Non-Replaceable SCL Stiles. Acrovyn and/or 20GA #4 finish Stainless Steel Replaceable Covers	
Replaceable Edge Profile	Beveled, Square	
Lites	6" from edges, 5" from hardware or additional cutouts	
Max Visible Glass Area	1296 in2	
Lite Frames	Metal Lead Lined– Painted, Wood Veneered	
Glazing	Any appropriate lead equivalency Any listed & labeled (45 min or greater)	
Louvers	Not Available	
Electronic Options	Electronic hardware & raceways available	
Hinges	Per NFPA 80 "Table 6.4.3.1"	
Points of Latching	Singles = 1 pt	Pairs = 3pts (2pts w/GP Blue Core) DE Pairs = 4pts (2pts w/GP Blue Core)
Pivots	Offset w/ Intermediate (Center hung – Not Available)	
Locks	Mortise & Cylindrical	
Exit Devices	Surface Vertical Rod (Includes LBR), RIM & Mortised	
Concealed Vertical Rod	Not Available	
Flushbolts	Must Be Extension Type (Metal Door)	
Closing Devices	Mortised or Surface Mounted (Mortised will affect lead)	
Door Bottoms	Mortised or Surface Mounted (Mortised will affect lead)	
Transoms	Not Available	



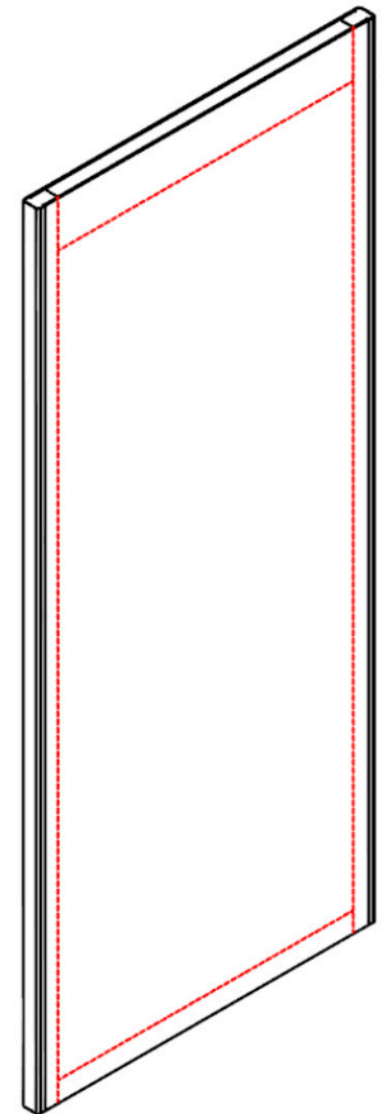
**Lead Lined, 60 Minute Rated Mineral (LL FD7-60PP)  
Bonded Mineral Core, 7-Ply Construction, Cat. A, PP**

	Single Swing	Pair or Double Egress
Core Type & Standards	Mineral Composite: (28-35 lb/ft3)	
Maximum Sizes	4'0" x 9'0"	8'0" x 9'0" (Requires Lead Astragal)
Protection Plates	Up to 48" (above bottom of door)	
Door Thickness	1-3/4" (+/- 1/16")	
Lead Thickness	1/16" (4lb) or 1/8" (8lb), Balanced Construction	
WDMA Prefit Tolerance	Width: (+/- 1/32") Height & Thickness: (+/- 1/16")	
Weight	1/16" Lead – 10.63lb/ft2 (3070 = 206lbs) (4070 = 277lbs) 1/8" Lead – 14.46lb/ft2 (3070 = 286lbs) (4070 = 385lbs)	
Crossband	High Density FSC Fiberboard	
Blocking	(Standard) 5" top rail; 1" Bottom Rail; 1" Fixed Internal Stiles (Additional blocking upon request)	
Assembly Adhesive	Face: Type I (waterproof); Core: Type II (water-resistant)	
Replaceable Edge Stiles & Covers	Non-Replaceable SCL Stiles. Acrovyn and/or 20GA #4 finish Stainless Steel Replaceable Covers	
Replaceable Edge Profile	Beveled, Square	
Lites	6" from edges, 5" from hardware or additional cutouts	
Max Visible Glass Area	100 in2	
Lite Frames	Metal Lead Lined– Painted, Wood Veneered	
Glazing	Any appropriate lead equivalency Any listed & labeled (60 min or greater)	
Louvers	Not Available	
Electronic Options	Electronic hardware & raceways available	
Hinges	Per NFPA 80 "Table 6.4.3.1"	
Points of Latching	Singles = 1 pt	Pairs = 4pts (2pts w/GP Blue Core) DE Pairs = 4pts (2pts w/GP Blue Core)
Pivots	Offset w/ Intermediate (Center hung – Not Available)	
Locks	Mortise & Cylindrical	
Exit Devices	Surface Vertical Rod (Includes LBR), RIM & Mortised	
Concealed Vertical Rod	Not Available	
Flushbolts	Must Be Extension Type (Metal Door)	
Closing Devices	Mortised or Surface Mounted (Mortised will affect lead)	
Door Bottoms	Mortised or Surface Mounted (Mortised will affect lead)	
Transoms	Not Available	



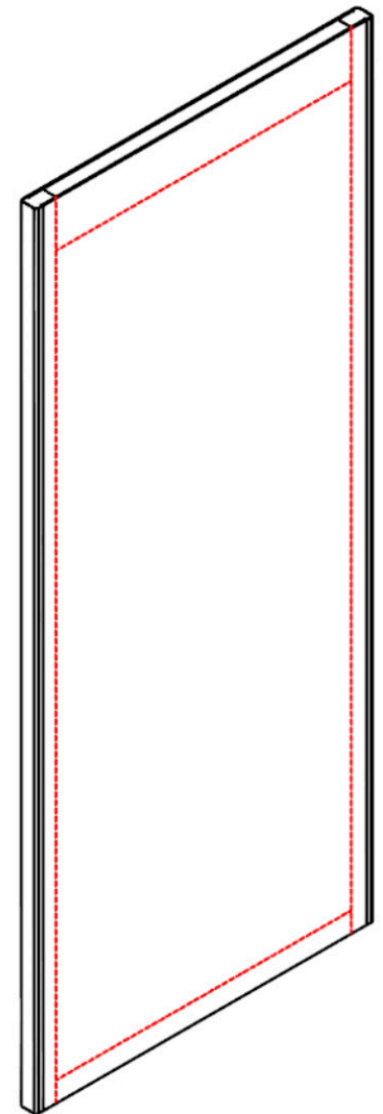
**Bullet Resistant – Level 1, Non-Fire Rated (BT1-BCW7-NR)  
Fully Bonded Ballistic Core, 7-Ply Construction**

	Single Swing	Pair or Double Egress
Core Type & Standards	Ballistic Composite Wood: UL 752 Listed	
Complies with CARB Phase I & II Emission Standards		
Maximum Sizes	4'0" x 10'0"	8'0" x 10'0" (Requires BR Metal edge / Astragal)
Protection Plates	Not Recommended	
Door Thickness	1-3/4" (+/- 1/16")	
WDMA Prefit Tolerance	Width: (+/- 1/32") Height & Thickness: (+/- 1/16")	
Weight	10.07lb/ft2 (3070 = 212lbs) (4070 = 282lbs)	
Crossband	High Density FSC Fiberboard	
Blocking	Included based on requested hardware prep	
Assembly Adhesive	Face: Type I (waterproof); Core: Type II (water-resistant)	
Replaceable Edge Stiles & Covers	Replaceable Stiles Not Available Acrovyn Replaceable Covers	
Replaceable Edge Profile	Beveled, Square	
Lites	6" from Top edge, 8" from Hinge edge, 8" from Lock edge, 12" from Bottom edge, 5" from hardware or additional cutouts	
Max Lite Cutout Area	Determined by the above distances	
Lite Frames	Must be UL 752 Listed Frame – MUST BE FACTORY INSTALLED	
Glazing	Must be UL 752 Listed Glass – MUST BE FACTORY INSTALLED	
Louvers	Not Available	
Electronic Options	Electronic hardware & raceways available	
Hinges	Mortised, Surface & Continuous (Must be Heavy Duty Hinges)	
Points of Latching	Singles = 1pt	Pairs = 2pts
Pivots	Center hung & offset w/ intermediate	
Locks	Mortise (BHMA 1,2,3) & Cylindrical (BHMA 1,2)	
Exit Devices	Surface Vertical Rod (Includes LBR), RIM & Mortised	
Concealed Vertical Rod	Not Available	
Flushbolts	Must Be Extension Type (Metal Door)	
Closing Devices	Surface Mounted	
Door Bottoms	Surface Mounted	
Transoms	Not Available	



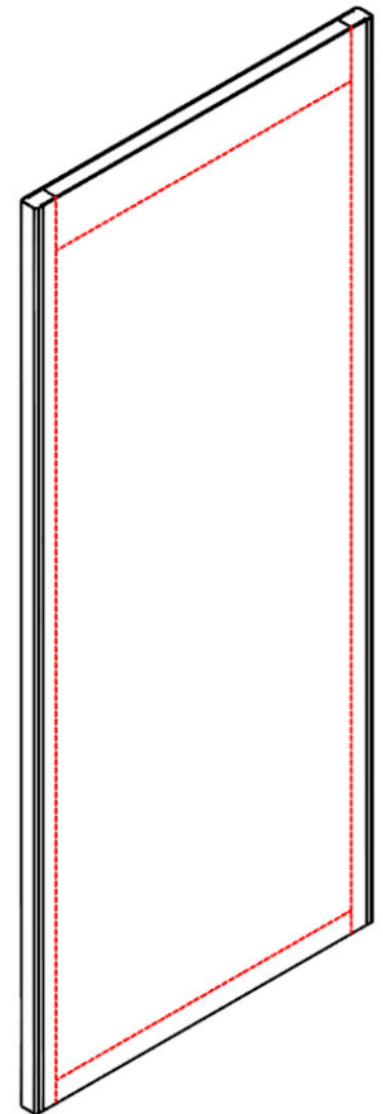
**Bullet Resistant – Level 2, Non-Fire Rated (BT2-BCW7-NR)  
Fully Bonded Ballistic Core, 7-Ply Construction**

	Single Swing	Pair or Double Egress
Core Type & Standards	Ballistic Composite Wood: UL 752 Listed	
Complies with CARB Phase I & II Emission Standards		
Maximum Sizes	4'0" x 10'0"	8'0" x 10'0" (Requires BR Metal edge / Astragal)
Protection Plates	Not Recommended	
Door Thickness	1-3/4" (+/- 1/16")	
WDMA Prefit Tolerance	Width: (+/- 1/32") Height & Thickness: (+/- 1/16")	
Weight	10.86lb/ft2 (3070 = 228lbs) (4070 = 304lbs)	
Crossband	High Density FSC Fiberboard	
Blocking	Included based on requested hardware prep	
Assembly Adhesive	Face: Type I (waterproof); Core: Type II (water-resistant)	
Replaceable Edge Stiles & Covers	Replaceable Stiles Not Available Acrovyn Replaceable Covers	
Replaceable Edge Profile	Beveled, Square	
Lites	6" from Top edge, 8" from Hinge edge, 8" from Lock edge, 12" from Bottom edge, 5" from hardware or additional cutouts	
Max Lite Cutout Area	Determined by the above distances	
Lite Frames	Must be UL 752 Listed Frame – MUST BE FACTORY INSTALLED	
Glazing	Must be UL 752 Listed Glass – MUST BE FACTORY INSTALLED	
Louvers	Not Available	
Electronic Options	Electronic hardware & raceways available	
Hinges	Mortised, Surface & Continuous (Must be Heavy Duty Hinges)	
Points of Latching	Singles = 1pt	Pairs = 2pts
Pivots	Center hung & offset w/ intermediate	
Locks	Mortise (BHMA 1,2,3) & Cylindrical (BHMA 1,2)	
Exit Devices	Surface Vertical Rod (Includes LBR), RIM & Mortised	
Concealed Vertical Rod	Not Available	
Flushbolts	Must Be Extension Type (Metal Door)	
Closing Devices	Surface Mounted	
Door Bottoms	Surface Mounted	
Transoms	Not Available	



**Bullet Resistant – Level 3, Non-Fire Rated (BT3-BCW7-NR)  
Fully Bonded Ballistic Core, 7-Ply Construction**

	Single Swing	Pair or Double Egress
Core Type & Standards	Ballistic Composite Wood: UL 752 Listed	
Complies with CARB Phase I & II Emission Standards		
Maximum Sizes	4'0" x 10'0"	8'0" x 10'0" (Requires BR Metal edge / Astragal)
Protection Plates	Not Recommended	
Door Thickness	1-3/4" (+/- 1/16")	
WDMA Prefit Tolerance	Width: (+/- 1/32") Height & Thickness: (+/- 1/16")	
Weight	11.66lb/ft <sup>2</sup> (3070 = 245lbs) (4070 = 327lbs)	
Crossband	High Density FSC Fiberboard	
Blocking	Included based on requested hardware prep	
Assembly Adhesive	Face: Type I (waterproof); Core: Type II (water-resistant)	
Replaceable Edge Stiles & Covers	Replaceable Stiles Not Available Acrovyn Replaceable Covers	
Replaceable Edge Profile	Beveled, Square	
Lites	6" from Top edge, 8" from Hinge edge, 8" from Lock edge, 12" from Bottom edge, 5" from hardware or additional cutouts	
Max Lite Cutout Area	Determined by the above distances	
Lite Frames	Must be UL 752 Listed Frame – MUST BE FACTORY INSTALLED	
Glazing	Must be UL 752 Listed Glass – MUST BE FACTORY INSTALLED	
Louvers	Not Available	
Electronic Options	Electronic hardware & raceways available	
Hinges	Mortised, Surface & Continuous (Must be Heavy Duty Hinges)	
Points of Latching	Singles = 1pt	Pairs = 2pts
Pivots	Center hung & offset w/ intermediate	
Locks	Mortise (BHMA 1,2,3) & Cylindrical (BHMA 1,2)	
Exit Devices	Surface Vertical Rod (Includes LBR), RIM & Mortised	
Concealed Vertical Rod	Not Available	
Flushbolts	Must Be Extension Type (Metal Door)	
Closing Devices	Surface Mounted	
Door Bottoms	Surface Mounted	
Transoms	Not Available	



## **Acrovyn® Doors - Bulletin: Concealed Closers/Stops**

CS Acrovyn Doors has approval to machine for listed and approved concealed overhead closers and/or stops in doors rated 20 through 90-minutes. Concealed holders are not allowed in labeled doors unless they include an automatic release function when fire is detected. The specific approvals include:

**Track in Door: WHI / Guardian (20 through 90-minute labeled doors) the cutout dimension cannot exceed 1-1/2" in depth, 1-5/16" in width or 23-5/8" in length.**

**CS Acrovyn Doors will not warranty doors that exceed the following:**

Doors with concealed closers deeper than 2" or wider than 1-1/4" or machined pockets that leave less than 1/4" thick cavity walls.

Due to the large cutouts required for this hardware, a frame (header) applied intumescent will be required to be installed above the cutout (Such as Technofire 2000/2006). By definition, this makes the opening Category B from a code perspective. Whereas the door is constructed (as Category A) with intumescent stiles and rail, the only additional field-applied intumescent required will be over the hardware cutout. This rule applies to 20 through 90 minute applications.

(See intumescent installation instructions on following page)

## **Acrovyn® Doors - Concealed Closers/Stops Intumescent Installation Instructions**

Due to the large cutouts required for this hardware, a frame (header) applied intumescent will be required to be installed above the cutout (Such as Technofire 2000/2006).

### **Installation of the frame applied intumescent:**

1. Locate the intumescent CS Acrovyn Doors has supplied with your doors for your convenience. If Technofire Intumescent has become damaged or lost, it is your responsibility to replace it.
2. Thoroughly clean the frame surface where intumescent will be applied. Ensure surface is clean and dry before continuing.
3. Technofire Intumescent may need trimmed to fit the frame opening. If it does, the product may be cut with scissors. Notching or trimming for hardware in the frame header may also need to be completed.
4. Remove the adhesive backer from the backside of the Technofire Intumescent strip and firmly attach it to the header of the frame directly above the door.
5. At this point installation of the Technofire Intumescent is complete.
  - a. If you would like to paint over the surface of the Technofire Intumescent, you may do so.

***(Failure to apply the intumescent will compromise the fire rating)***



## Acrovyn® Doors - Bulletin: Smoke Doors

The most commonly described types of smoke doors are:

- Doors required to provide an effective barrier to limit the transfer of smoke
- Doors in smoke partitions
- Doors in smoke barriers
- Fire door assemblies in corridors and smoke barriers

The majority of these smoke rated openings are required to be self-closing and require an active latchbolt that will secure the door when it is closed. Through the various code adoptions there are exceptions to this basic logic.

One of the most commonly confused exceptions involves “Cross-Corridor” doors in smoke barriers and positive-latching in Group I-1 Condition 2, Group I-2, and Ambulatory Care Facilities. Per the IBC, positive latches are not required for these doors because the exception includes the specific language: “Positive-latching devices are not required”. Smoke barrier doors need to be constructed as 20 minute doors, however, the IBC has clarified that these doors are not fire-rated. An additional requirement of these Smoke Barrier doors is they must include fire rated glazing assemblies when lites will be installed.

Below is an example of the Smoke Barrier Door label that will be applied to a Cross-Corridor Smoke Barrier Door:



***Due to the various building & life safety codes, please consult your local AHJ to determine the Latching & Closer requirements prior to submitting an order to Acrovyn Doors. Latching & Closer details received with the order will be considered approved by your local AHJ.***

**Acrovyn® Doors**

