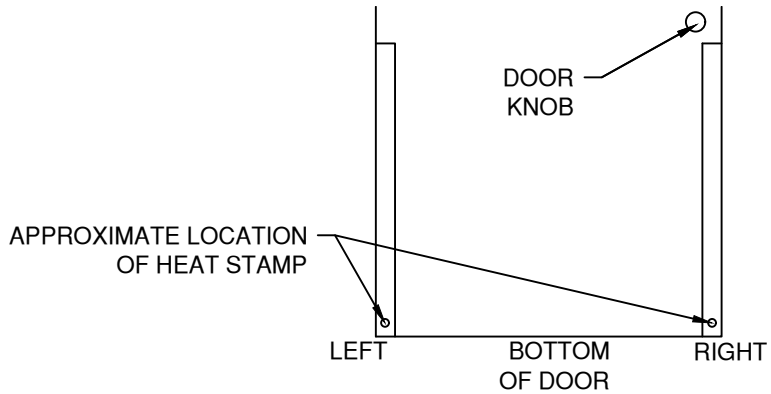


COLOR:
DOOR FRAME PROTECTOR:
 COLOR TO BE SELECTED FROM ONE OF CS STANDARD COLORS.

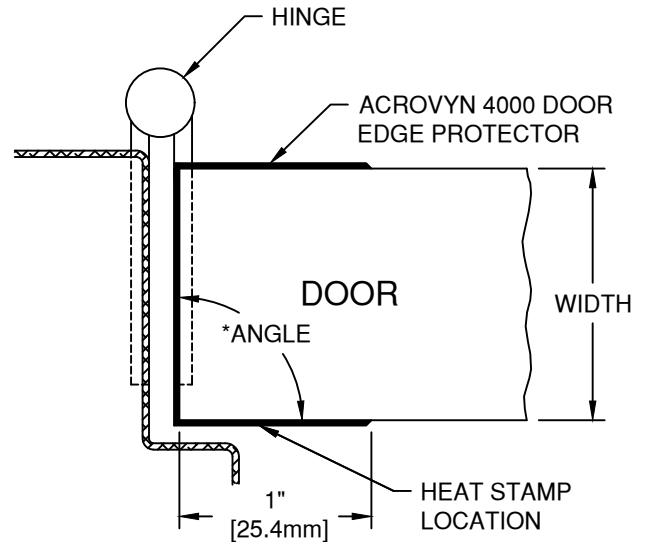
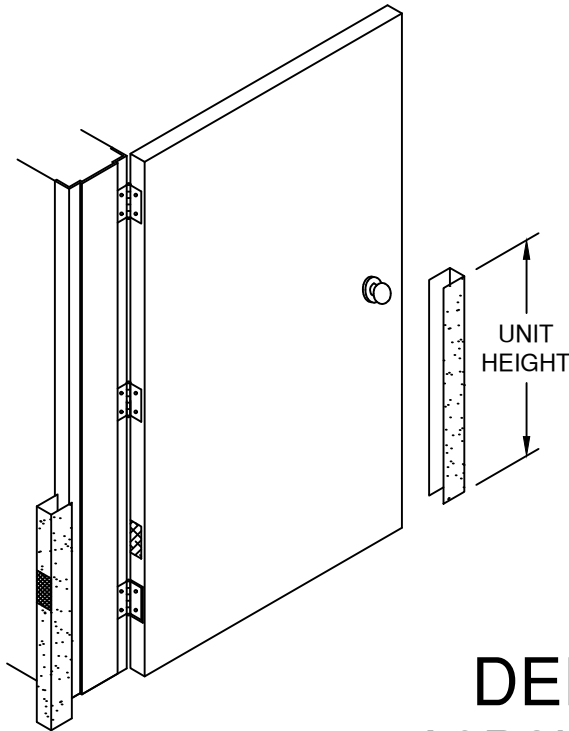
UNITS REQ'D	UNIT HEIGHT	DOOR WIDTH	HEAT STAMP YES / NO	LEFT / RIGHT	ANGLE

NOTES:

1. WITH FIRE RATING LABEL LOCATED ON INSIDE OF DOOR EDGE PROTECTOR.
2. FIRE RATING HEAT STAMP LOCATED ON FACE OF DOOR EDGE PROTECTOR IF REQUIRED.
3. ACROVYN DEP-UN DOOR EDGE PROTECTORS ARE AVAILABLE WITH ANGLES BETWEEN 80° AND 100°.
4. FOR HEAT STAMP, SELECT RIGHT OR LEFT. RIGHT OR LEFT IS BASED ON LOOKING AT THE DOOR FROM THE SIDE WITH THE HEAT STAMP AS SHOWN IN DETAIL D1 ON THIS PAGE.




DETAIL 'D1'



*ANGLE GIVEN MUST BE MEASURED BEHIND THE FACE REQUIRING THE HEAT STAMP IF APPLICABLE

**DEP-UN
 ACROVYN 4000**

CONDITION	SPECIFIED FASTENER	QUANTITY	CS PART NUMBER
WOOD DOORS	DOUBLE SIDED TAPE	FACTORY APPLIED	90M183002
WOOD DOORS	FASTBOND 30 ADHESIVE	5 GALLON 1 GALLON 1 QUART	90M016001 90M014001 90M015001

 Hughesville, PA 800.233.8493 570.546.5941 Mississauga, ON 888.895.8955 905.274.3611 www.c-sgroup.com © Copyright 2019 Construction Specialties, Inc.	PROJECT:	REVISION:
	JOB NO.:	F&F:
	CUSTOMER:	
	REP:	DATE:
	DRAWN BY:	SHEET NO: