

PEDITRED WITH RECESSED LEVEL BASE FRAME / WITH DRAIN PAN

INSERT STYLE:

INSERT COLOR: PLEASE ADVISE

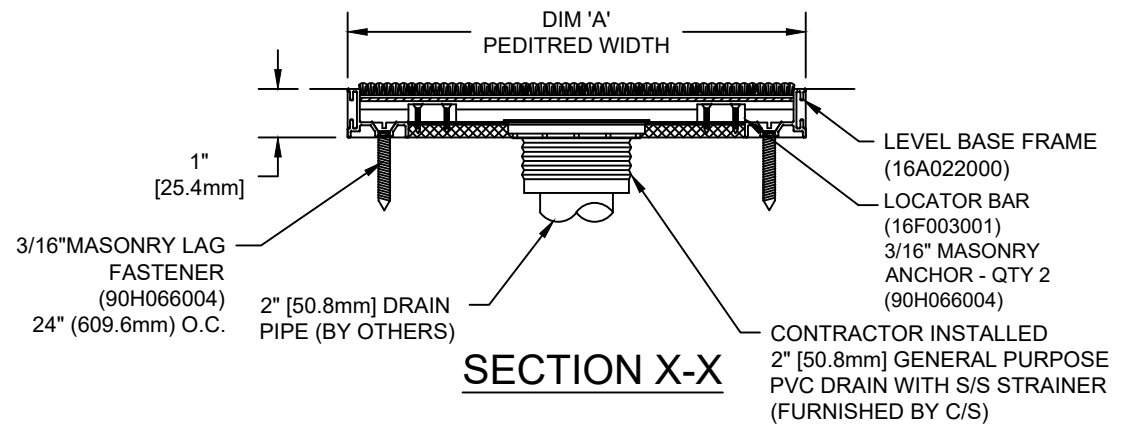
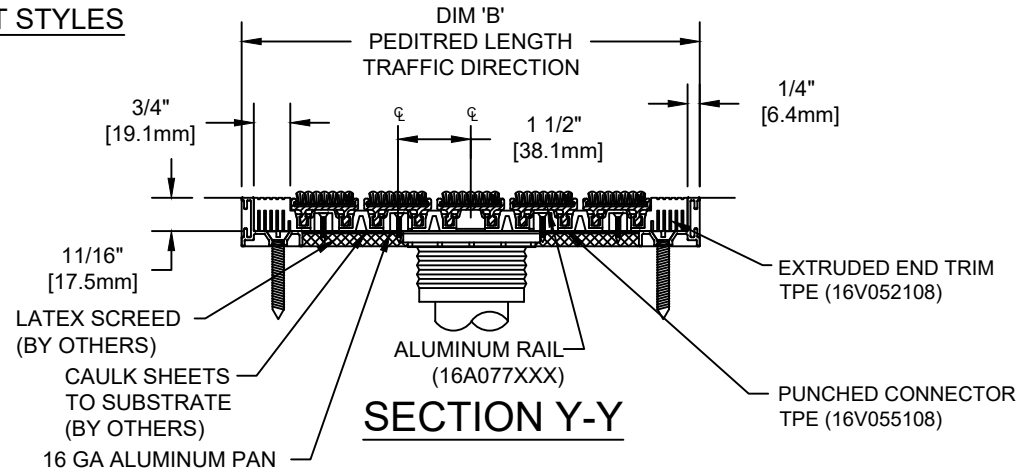
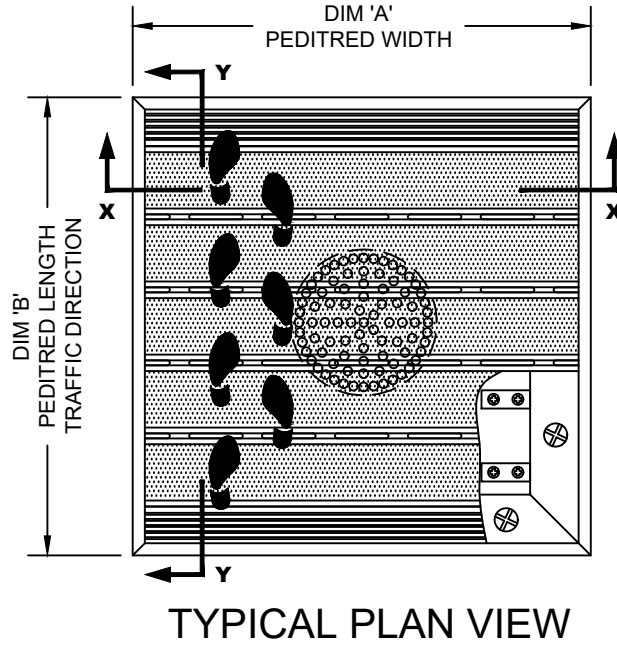
CATALOG NUMBER: G4

PART NUMBER:

NO.	REVISION	DATE	BY
NO.	F&F RELEASE	DATE	BY



PEDITRED INSERT STYLES



NOTES:

\*ALL SURFACES IN CONTACT WITH MASONRY ARE TO RECEIVE A COAT OF ZINC CHROMATE PRIMER  
 \*PLEASE VERIFY TRAFFIC DIRECTION  
 \*PEDITRED SHALL BE ABLE TO SUPPORT A 1000 LB. ROLLING LOAD.

\*MAX. SINGLE GRID SIZE NOT TO EXCEED 12'-0" (3.66M) IN WIDTH (DIM "A") OR 3'-0" [.91M] IN LENGTH (DIM "B").  
 \*ADDITIONAL SPECIFICATIONS ARE CONTAINED IN THE LATEST C/S CATALOG OR AT C-SGROUP.COM AND ARE CONSIDERED PART OF THIS TRANSMITTAL.

**CS Construction Specialties**  
 6696 Route 405 Highway, Muncy PA 17756  
 (800) 233-8493 • Fax (570) 546-4692 • www.c-sgroup.com

PLEASE VERIFY ALL	QTY	MARK #	LOCATION	MODEL	DIM 'A' WIDTH	DIM 'B' LENGTH	FINISH	NOTES

PROJECT:		
LOCATION:		
CONTRACTOR:		
AGENT:		SHT:
DRG. BY:	DATE:	JOB NO.: