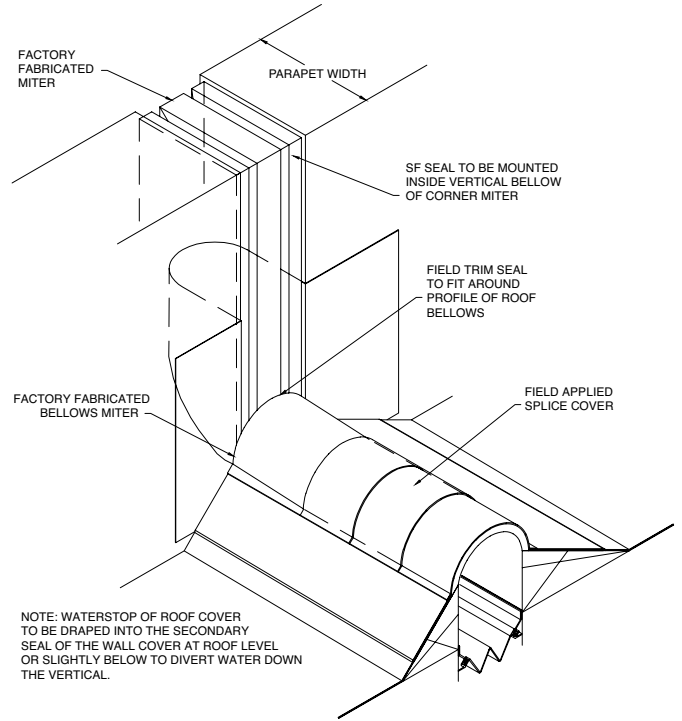
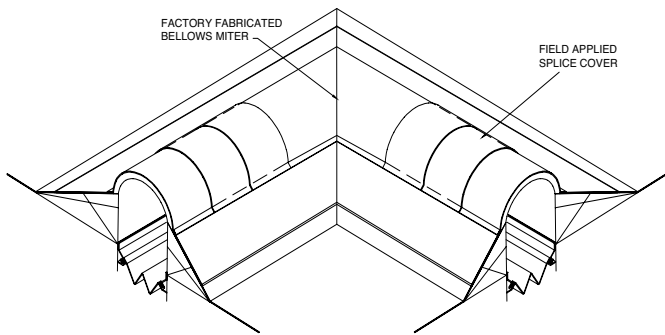


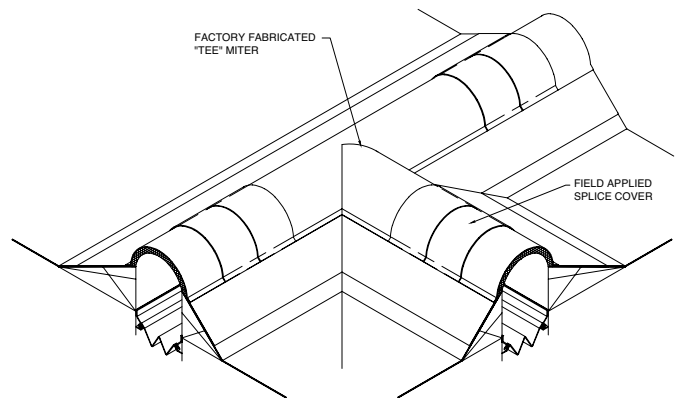
BRJ TO SF TRANSITION AT ROOF EDGE



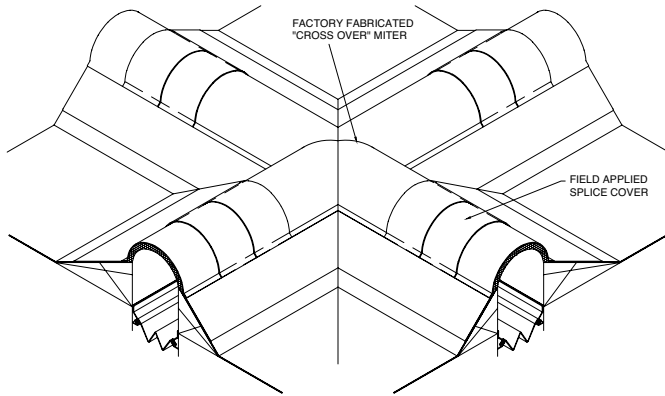
BRJ TO SF TRANSITION AT PARAPET



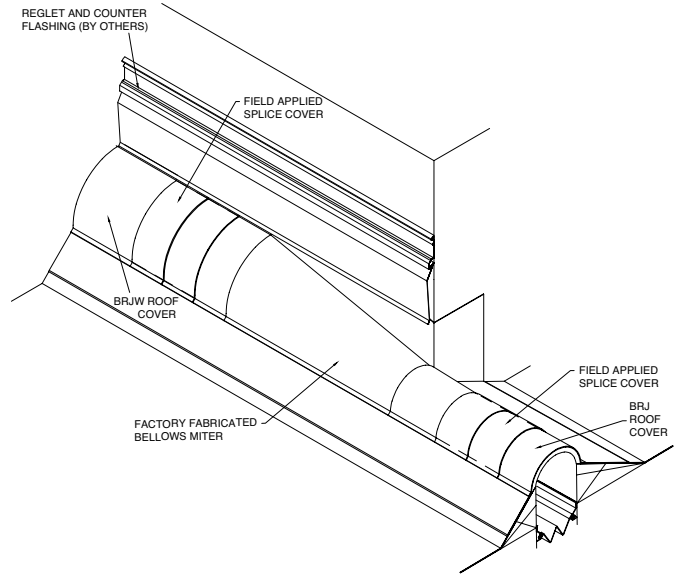
BRJ 90° MITER



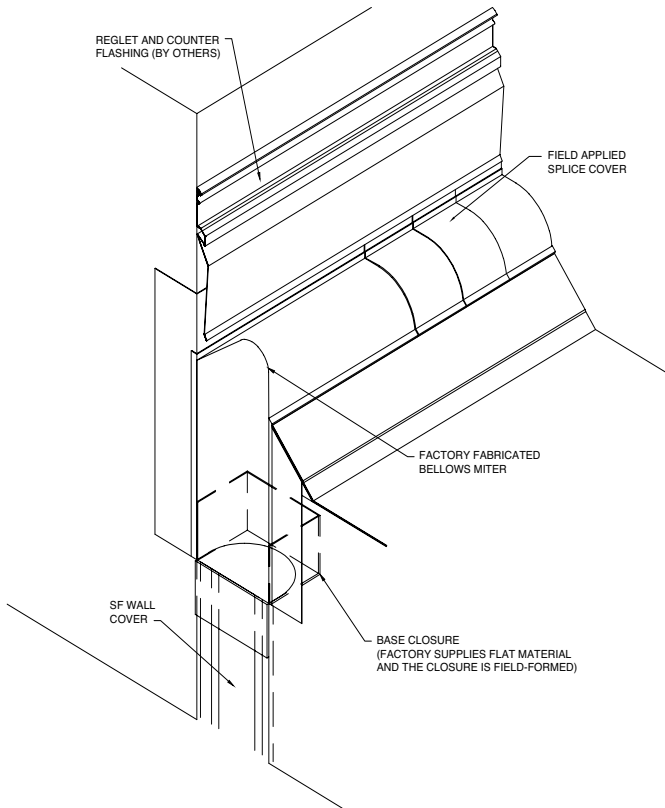
BRJ TEE MITER



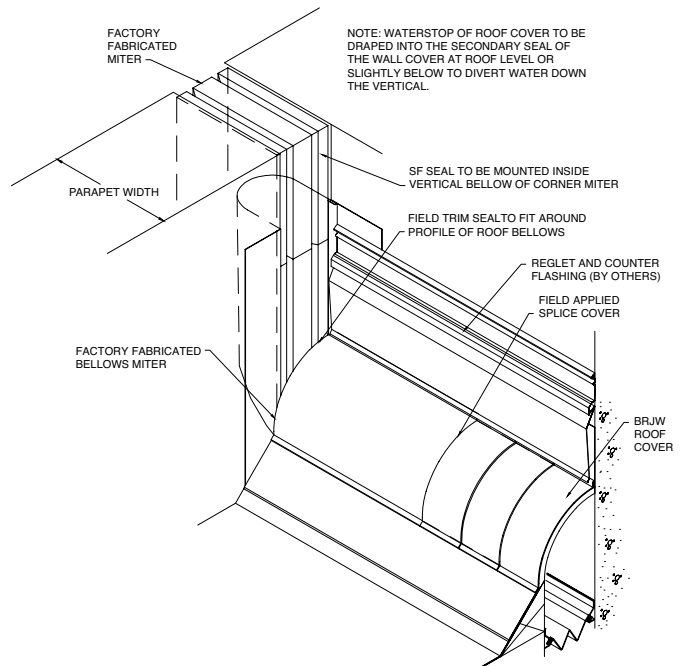
BRJ CROSSOVER MITER



BRJW TO BRJ TRANSITION

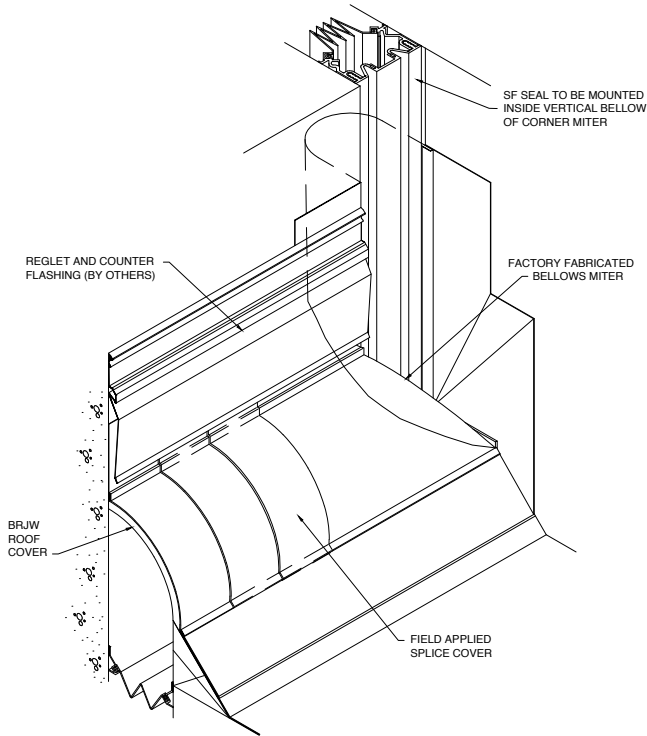


BRJW TO SF TRANSITION AT ROOF EDGE

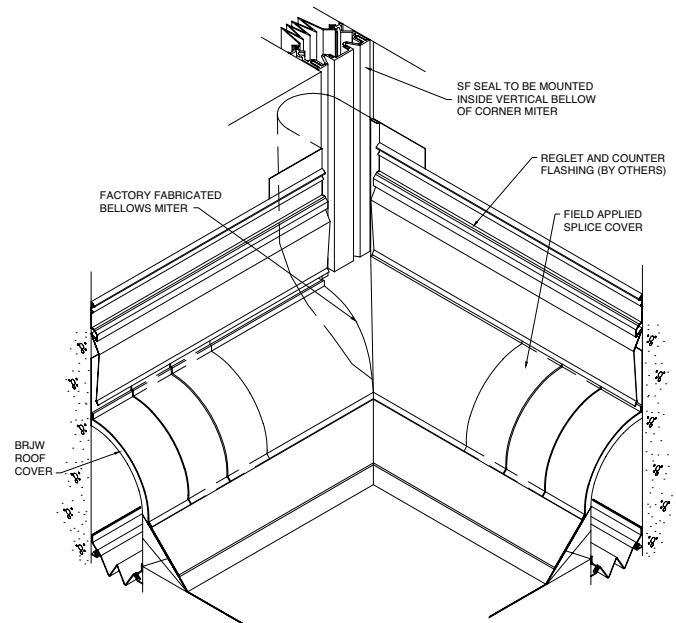


BRJW TO SF TRANSITION AT PARAPET

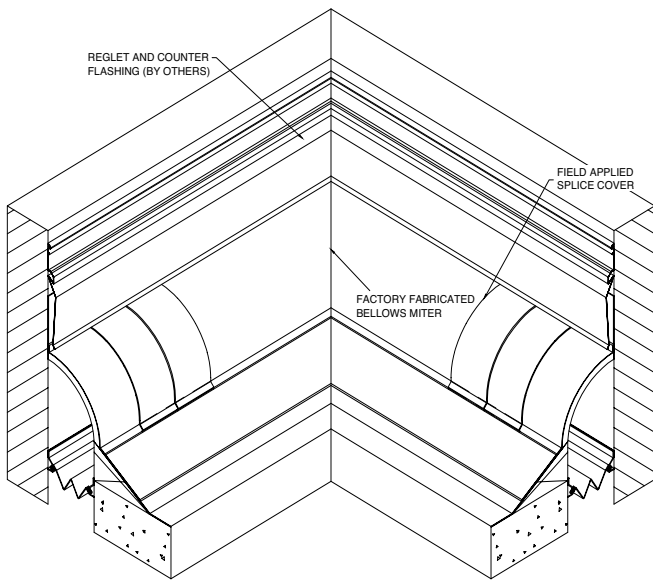
To download detail, specs & photos visit www.c-sgroup.com
 For technical and design assistance call 800-233-8493.



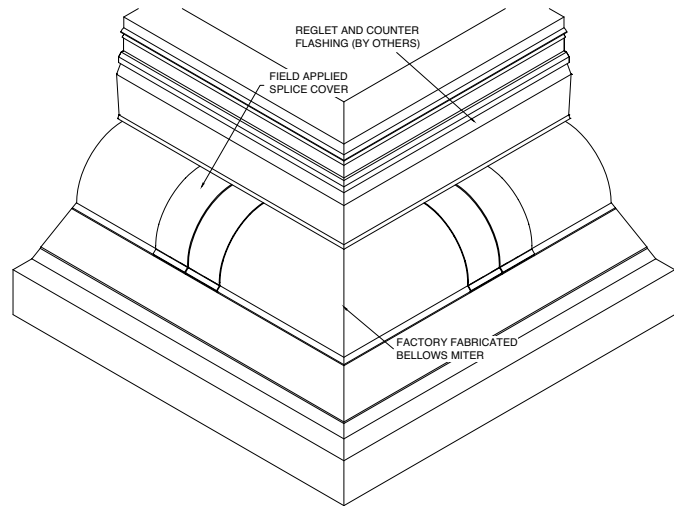
ROOF TO WALL TRANSITION AT OFFSET JOINT



3-WAY ROOF TO WALL TRANSITION AT OFFSET JOINT



BRJW 90° INSIDE CORNER MITER



BRJW 90° OUTSIDE CORNER MITER