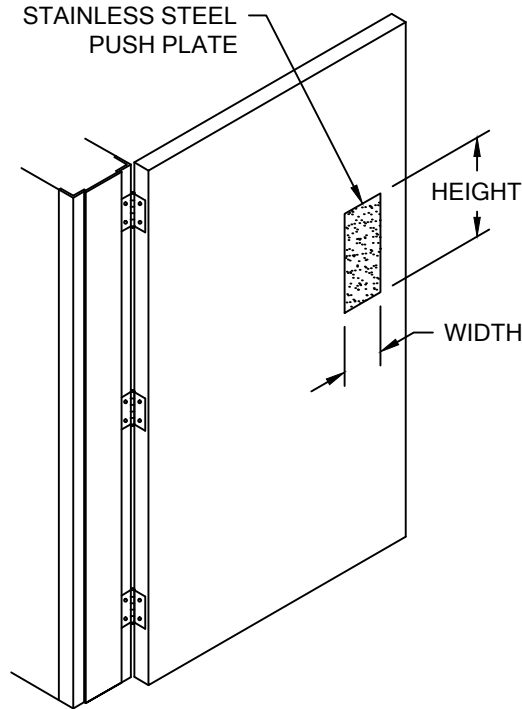


NOTES:


1. STAINLESS STEEL PUSH PLATES ARE SUPPLIED WITH STRAIGHT EDGES. BEVELED EDGES ARE NOT AVAILABLE.
2. STAINLESS STEEL PUSH PLATES ARE SUPPLIED IN #304 ALLOY, 16 GA. THICKNESS, AND #4 SATIN FINISH.

UNITS REQ'D	HEIGHT	WIDTH



PUSH PLATES STAINLESS STEEL

CONDITION	SPECIFIED FASTENER	QUANTITY	C/S PART NUMBER
WOOD & METAL DOORS	FASTBOND 30 ADHESIVE	5 GALLON 1 GALLON 1 QUART	90M016001 90M014001 90M015001

 <p>Construction Specialties™ 6696 Route 405 Highway, Muncy PA 17756 (800) 233-8493 • Fax (570) 546-4692 • www.c-sgroup.com</p>	PROJECT:	REVISION:
	JOB NO.:	F&F:
	CUSTOMER:	
	REP:	DATE:
	DRAWN BY:	SHEET NO: