

**PTCP-S & PTCPW-S Series**

**Technical Data:**

**Aluminum**

- Extrusion – CS uses multiple alloys & tempers which are established to be the most appropriate for the given use of individual parts. Will be one of the following: (6063-T5, T6, T52) (6061-T5, T6, T51) (6105-T5, T6) (6005-T5) (6005A-T5, T61), ASTM B221
- Sheet – 6061-T6, 3003 H14, 5005 H34, ASTM-B209.

**Stainless Steel**

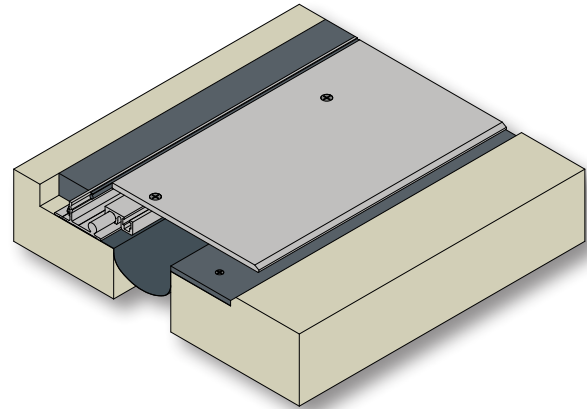
- Type 304 or 316 ASTM A666

**Vapor Barrier**

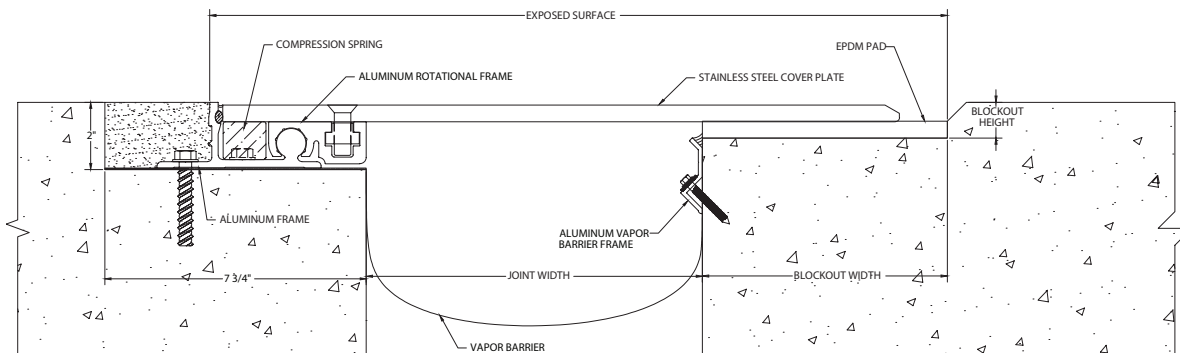
- Material – Polyethylene
- Color – Black
- 3" Tensile Strength – 275 lbs., ASTM-882
- Puncture Strength – 72 lbs., ASTM-4833
- PPT Resistance – 45 lbs., ASTM-2583

**EPDM Spring**

- Material - EPDM



MODEL	JOINT WIDTH	MINIMUM OPENING	MAXIMUM OPENING	EXPOSED SURFACE	BLOCKOUT WIDTH	BLOCKOUT HEIGHT
PTCP-600S	6.00" (152mm)	0.63" (16mm)	9.50" (241mm)	15.63" (397mm)	5.00" (127mm)	1.06" (27mm)
PTCP-700S	7.00" (178mm)	0.63" (16mm)	11.00" (279mm)	17.13" (435mm)	5.50" (140mm)	1.06" (27mm)
PTCP-800S	8.00" (203mm)	0.63" (16mm)	12.50" (318mm)	18.63" (473mm)	6.00" (152mm)	1.06" (27mm)
PTCP-900S	9.00" (229mm)	0.63" (16mm)	14.00" (356mm)	20.13" (511mm)	6.50" (165mm)	1.06" (27mm)
PTCP-1000S	10.00" (254mm)	0.63" (16mm)	15.50" (394mm)	21.63" (549mm)	7.00" (178mm)	1.06" (27mm)
PTCP-1100S	11.00" (279mm)	0.63" (16mm)	17.00" (432mm)	23.13" (588mm)	7.50" (191mm)	1.06" (27mm)
PTCP-1200S	12.00" (305mm)	0.63" (16mm)	18.50" (470mm)	24.63" (626mm)	8.00" (203mm)	1.06" (27mm)
PTCP-1300S	13.00" (330mm)	0.63" (16mm)	20.00" (508mm)	26.13" (664mm)	8.50" (216mm)	1.06" (27mm)
PTCP-1400S	14.00" (356mm)	0.63" (16mm)	21.50" (546mm)	27.63" (702mm)	9.00" (229mm)	1.06" (27mm)
PTCP-1500S	15.00" (381mm)	0.63" (16mm)	23.00" (584mm)	29.13" (740mm)	9.50" (241mm)	1.06" (27mm)
PTCP-1600S	16.00" (406mm)	0.63" (16mm)	24.50" (622mm)	30.63" (778mm)	10.00" (254mm)	1.06" (27mm)



PTCP-S

**PTCP-S & PTCPW-S Series**

MODEL	JOINT WIDTH	MINIMUM OPENING	MAXIMUM OPENING	EXPOSED SURFACE	BLOCKOUT WIDTH	BLOCKOUT HEIGHT
PTCPW-600S	6.00" (152mm)	0.63" (16mm)	9.50" (241mm)	11.00" (279mm)	5.00" (127mm)	1.06" (27mm)
PTCPW-700S	7.00" (178mm)	0.63" (16mm)	11.00" (279mm)	12.50" (318mm)	5.50" (140mm)	1.06" (27mm)
PTCPW-800S	8.00" (203mm)	0.63" (16mm)	12.50" (318mm)	14.00" (356mm)	6.00" (152mm)	1.06" (27mm)
PTCPW-900S	9.00" (229mm)	0.63" (16mm)	14.00" (356mm)	15.50" (394mm)	6.50" (165mm)	1.06" (27mm)
PTCPW-1000S	10.00" (254mm)	0.63" (16mm)	15.50" (394mm)	17.00" (432mm)	7.00" (178mm)	1.06" (27mm)
PTCPW-1100S	11.00" (279mm)	0.63" (16mm)	17.00" (432mm)	18.50" (470mm)	7.50" (191mm)	1.06" (27mm)
PTCPW-1200S	12.00" (305mm)	0.63" (16mm)	18.50" (470mm)	20.00" (508mm)	8.00" (203mm)	1.06" (27mm)
PTCPW-1300S	13.00" (330mm)	0.63" (16mm)	20.00" (508mm)	21.50" (546mm)	8.50" (216mm)	1.06" (27mm)
PTCPW-1400S	14.00" (356mm)	0.63" (16mm)	21.50" (546mm)	23.00" (584mm)	9.00" (229mm)	1.06" (27mm)
PTCPW-1500S	15.00" (381mm)	0.63" (16mm)	23.00" (584mm)	24.50" (622mm)	9.50" (241mm)	1.06" (27mm)
PTCPW-1600S	16.00" (406mm)	0.63" (16mm)	24.50" (622mm)	26.00" (660mm)	10.00" (254mm)	1.06" (27mm)

