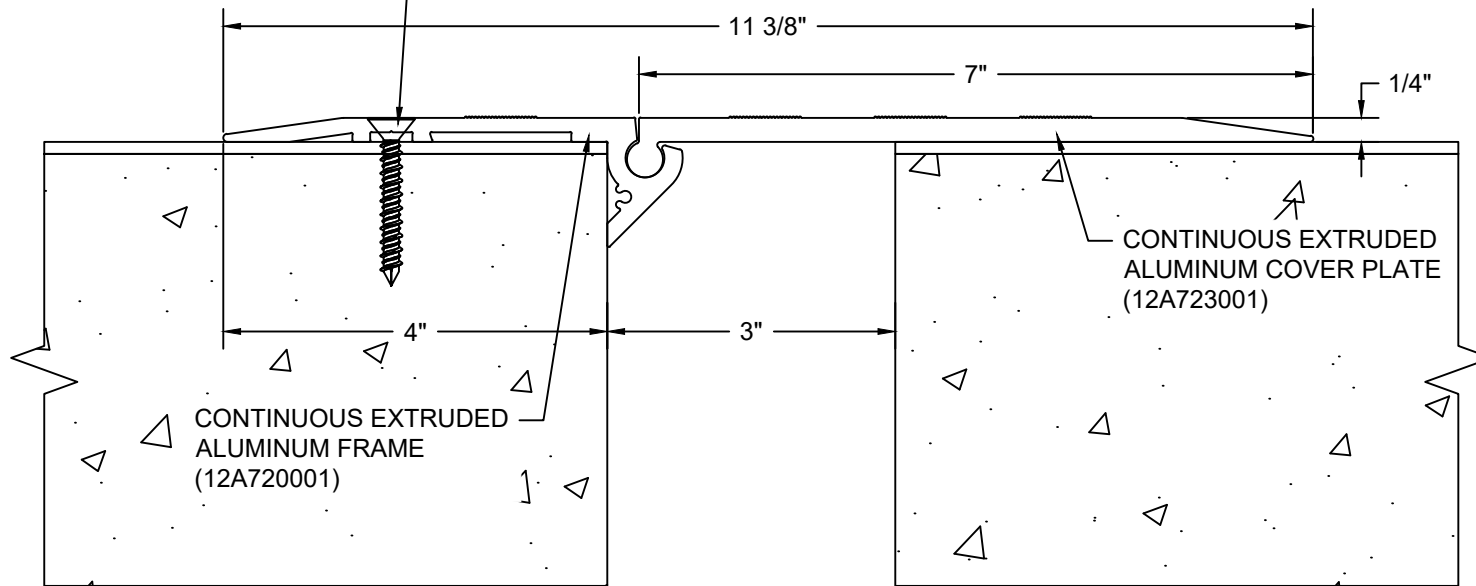


1/4"x1 3/4" TAPPER 18" O.C.  
 (90H006004) (FIN: SILVER P/S)  
 ICC-ES#-ESR-3068 (MASONRY)



# Model: RFD-300

**CS** **Construction Specialties**<sup>®</sup>  
[www.c-sgroup.com](http://www.c-sgroup.com)  
 6696 Route 405 Highway, Muncy, PA 17756  
 Phone: (800) 233-8493 / Fax: (570) 546-8022

895 Lakefront Promenade, Mississauga, Ontario L5E 2C2 Canada  
 Phone: (888) 895-8955 / Fax: (905) 274-6241



© Copyright 2016 Construction Specialties, Inc.

PROJECT:	SCALE: NTS
CUSTOMER:	DATE:
LOCATION:	JOB NO.:
DRAWN BY:	SHEET NO.: