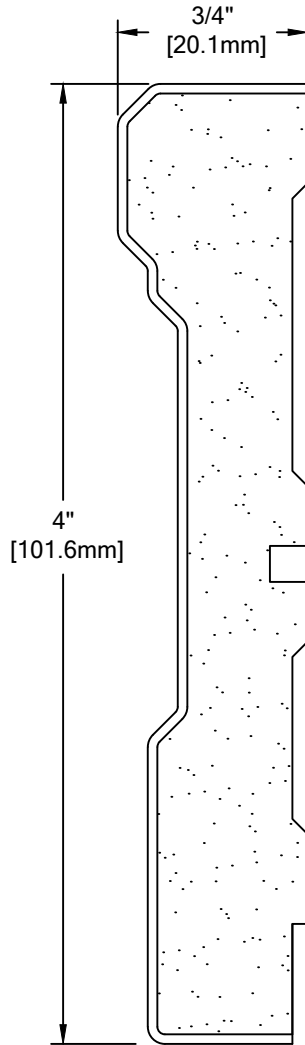


COLOR: _____
 DIMENSIONAL MOLD: _____
 COLOR TO BE SELECTED FROM ONE OF CS STANDARD COLORS.

TOTAL L/F
 REQ'D


NOTES:

1. END CAPS ARE FIELD MITERED.
2. DIMENSIONAL MOLD SUPPLIED WITH 1/4" WAINSCOT NOTCH TO ALLOW FOR MULTIPLE APPLICATIONS.
3. ALL PROFILES ARE SUPPLIED WITH MDF SUBSTRATE WITH ACROVYN FORMED TO THE PROFILE AND SUPPLIED WITH M1 ADHESIVE FOR INSTALLATION



STEP DOWN RAIL FR-254

WALL CONDITION	SPECIFIED FASTENER	QUANTITY	CS PART NUMBER
STEEL STUD/GYPUSM WALL CONCRETE/CONC. BLOCK WOOD STUD/GYPSUM WALL	M1 STRUCTURAL ADHESIVE (85 L/F COVERAGE PER TUBE)	28 FL. OZ.	90M135001

 <p>Construction Specialties™ Hughesville, PA 800.233.8493 570.546.5941 Mississauga, ON 888.895.8955 905.274.3611 www.c-sgroup.com © Copyright 2022 Construction Specialties, Inc.</p>	PROJECT:	REVISION:
	JOB NO.:	F&F:
	CUSTOMER:	
	REP:	DATE:
	DRAWN BY:	SHEET NO: