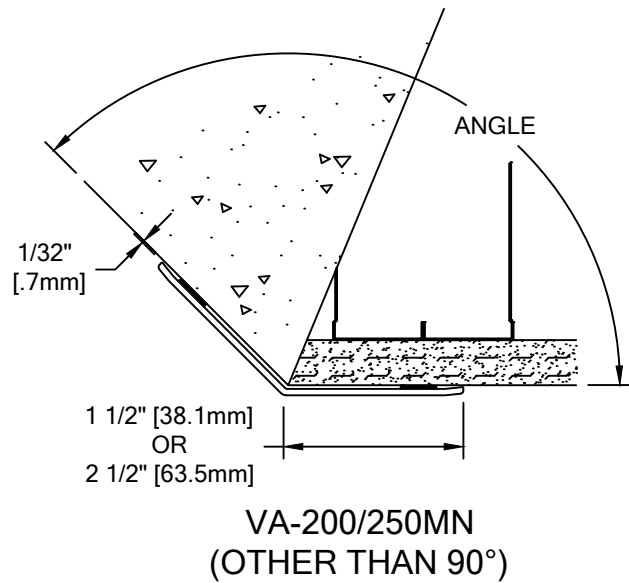
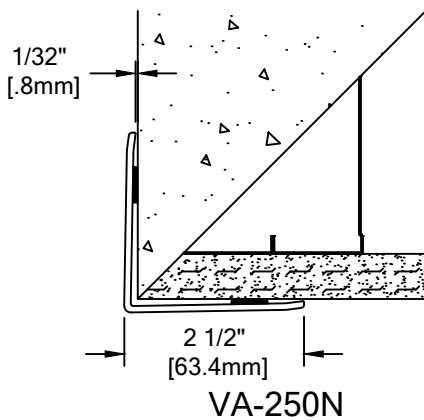
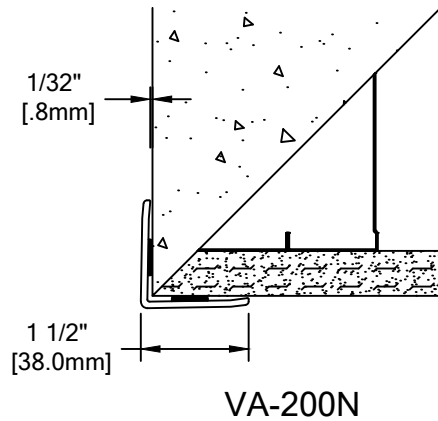
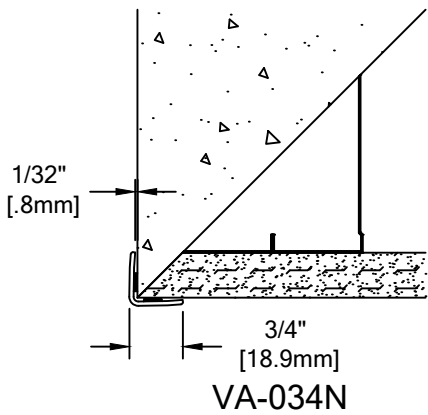


COLOR:  
 CORNER GUARD:  
 COLOR TO BE SELECTED FROM ONE OF CS STANDARD COLORS.

**NOTES:**


1. VA-034 CORNER GUARDS ARE NOT AVAILABLE IN CHAMELEON COLORS.
2. VA-034 CORNER GUARDS AVAILABLE IN 8'-0" LENGTHS MAX. ALL OTHERS AVAILABLE IN 10'-0" LENGTHS MAX.
3. VA-200MN AND VA-250MN ARE AVAILABLE IN ANGLES BETWEEN 45°-160°. THE VA-034 MODEL IS ONLY AVAILABLE IN 90°
4. DIMENSION IS TYPICALLY 1/32" BETWEEN CORNER GUARD AND WALL BUT MAY VARY DEPENDING ON CORNER BEAD AND WALL FINISHING.

MODEL	QTY. REQ'D	UNIT HEIGHT	ANGLE <sup>3</sup>



# VA SERIES CORNER GUARDS

## ACROVYN 4000

 <p>Hughesville, PA   800.233.8493   570.546.5941          Mississauga, ON   888.895.8955   905.274.3611  <a href="http://www.c-sgroup.com">www.c-sgroup.com</a></p> <p>© Copyright 2017 Construction Specialties, Inc.</p>	PROJECT:	REVISION:
	JOB NO.:	F&F:
	CUSTOMER:	
	REP:	DATE:
	DRAWN BY:	SHEET NO: