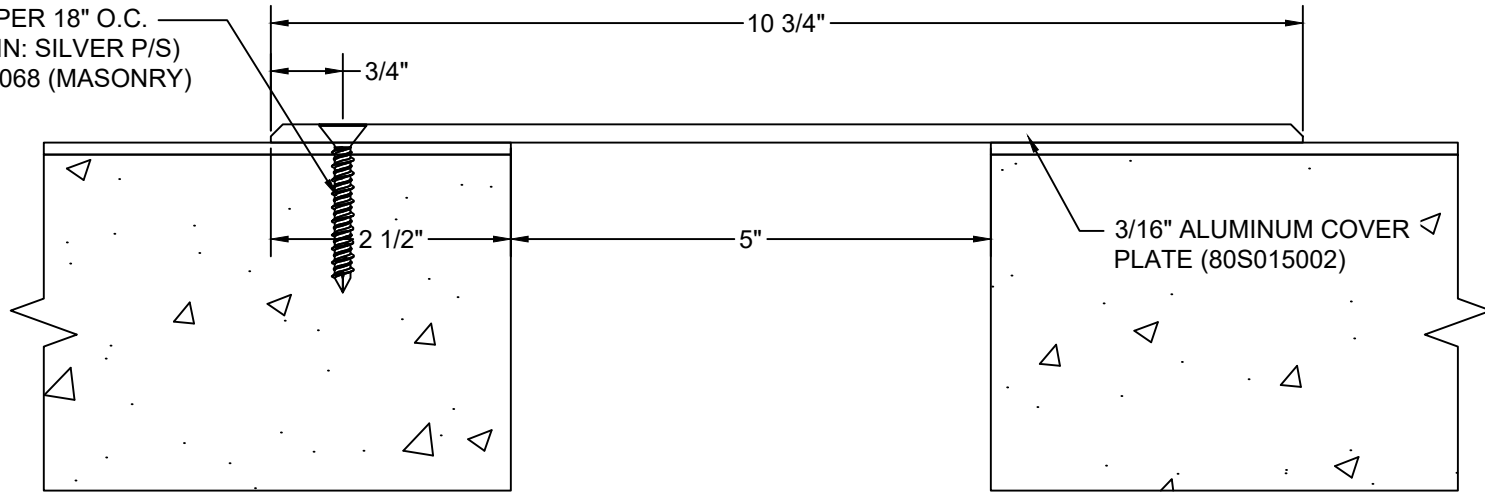


1/4"x1 3/4" TAPPER 18" O.C.
 (90H006004) (FIN: SILVER P/S)
 ICC-ES#-ESR-3068 (MASONRY)



Model: PC2G-500



Construction Specialties®

www.c-sgroup.com

6696 Route 405 Highway, Muncy, PA 17756
 Phone: (800) 233-8493 / Fax: (570) 546-8022

895 Lakefront Promenade, Mississauga, Ontario L5E 2C2 Canada
 Phone: (888) 895-8955 / Fax: (905) 274-6241

© Copyright 2018 Construction Specialties, Inc.

| | |
|-----------|------------|
| PROJECT: | SCALE: NTS |
| CUSTOMER: | DATE: |
| LOCATION: | JOB NO.: |
| DRAWN BY: | SHEET NO.: |