

INSTALLATION INSTRUCTIONS FOR FLANGE FRAME LOUVERS FACE FASTENED

MODELS

4101L, 4101H, 4111L, 4111H, 4831L, 4831H
0251, 0281, 0291, 0321, 1241, 1281, 1321, 2251
2271, 2281, 2321, 1302L

- READ THESE INSTRUCTIONS COMPLETELY BEFORE STARTING INSTALLATION.
- USE THESE INSTRUCTIONS IN CONJUNCTION WITH C/S SHOP DRAWINGS



Construction Specialties™

(800) 526-6930 • Fax (908) 272-6038 • www.c-sgroup.com

CONSTRUCTION SPECIALTIES, INC.

49 Meeker Avenue
Cranford, New Jersey 07016

107 Johnson Boulevard
Del Rio, Texas 78840

Creating products that make buildings better

STEP-1

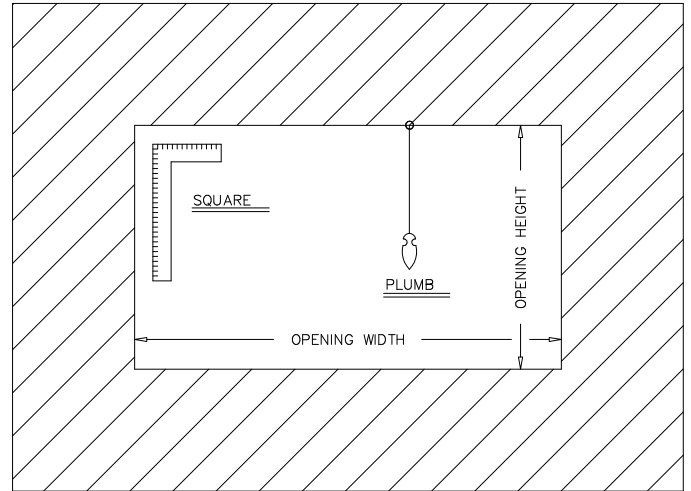
PREPARATION

1. TO BEGIN INSTALLATION OF FACTORY ASSEMBLED LOUVERS YOU MUST FIRST BE IN RECEIPT OF THE SHIPMENTS PACKING LIST, AND SHOP DRAWINGS.
2. LOCATE ALL CRATES, BOXES, CARTONS, ETC...
3. INDIVIDUAL LOUVER SECTIONS ARE ALSO MARKED AT FAR RIGHT ON THE PACKING LIST AS TO THEIR CRATE, CARTON, BOX, ETC...
4. START WITH THE FIRST LOUVER. REMOVE AND IDENTIFY THE PARTS FROM APPROPRIATE PACKAGES FOR THAT LOUVER. CHECK FOR CORRECT QUANTITIES FOR EACH ACCORDING TO PACKING LIST.
5. AFTER ALL PARTS ARE SEPARATED AND IDENTIFIED BY LOUVER NUMBER AND IT IS DETERMINED THAT NO PARTS ARE MISSING, PROCEED TO MOVE THESE GROUPS TO THEIR DESIGNATED OPENINGS.
6. IF THERE ARE MISSING PARTS, COMPONENTS OR HARDWARE, PLEASE NOTIFY THE FACTORY IN DEL RIO, TX (830) 774-0151.

STEP-2

PREPARATION

1. INSPECT OPENINGS FOR DAMAGE THAT MAY PREVENT INSTALLATION OF LOUVERS, OR MATERIALS PLACED IN OPENINGS BY OTHER TRADES. REPAIR OPENINGS OR REMOVE OBSTRUCTION AS REQUIRED.
2. BE SURE OPENING IS SQUARE AND PLUMB AS WELL AS MATCHING OPENING SIZES SHOWN ON THE SHOP DRAWINGS. (SEE DIAGRAM BELOW)

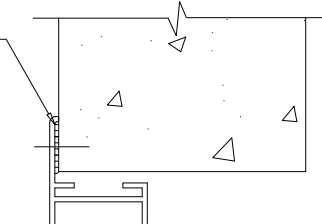


STEP-3

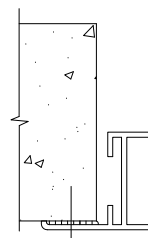
INSTALLING A SINGLE SECTION LOUVER

1. CAULK INSIDE OF FLANGE AS REQUIRED.
2. PLACE LOUVER SECTION INTO OPENING.
3. SHIM AROUND PERIMETER OF LOUVER TO PROVIDE FOR PROPER CLEARANCES AS SHOWN IN SHOP DRAWINGS.
4. ONCE PROPER CLEARANCE SPECIFICATIONS ARE MET FASTEN THE LOUVER TO THE PERIMETER THROUGH THE FLANGE IN THE LOUVER FRAME AS REQUIRED

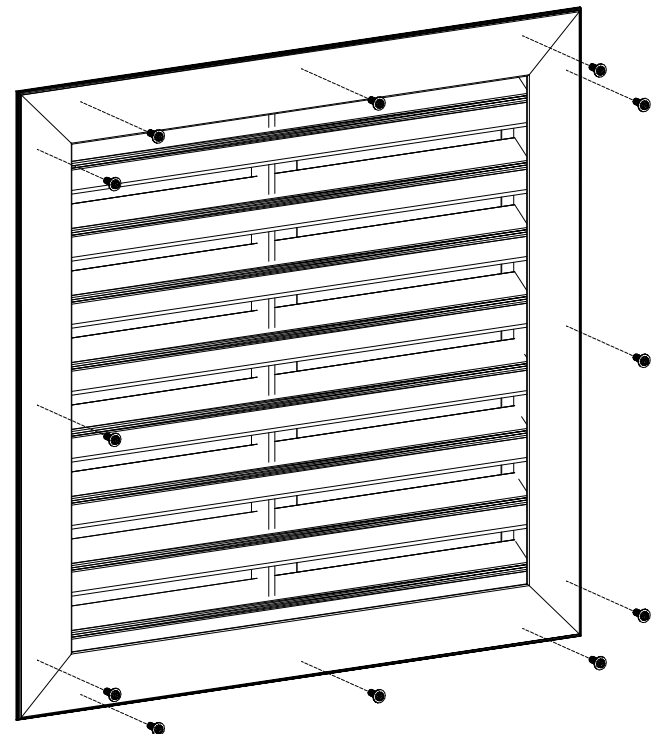
CAULK BEFORE
LOUVER IS
INSTALLED
(AS REQUIRED)



VERTICAL SECTION OF HEAD



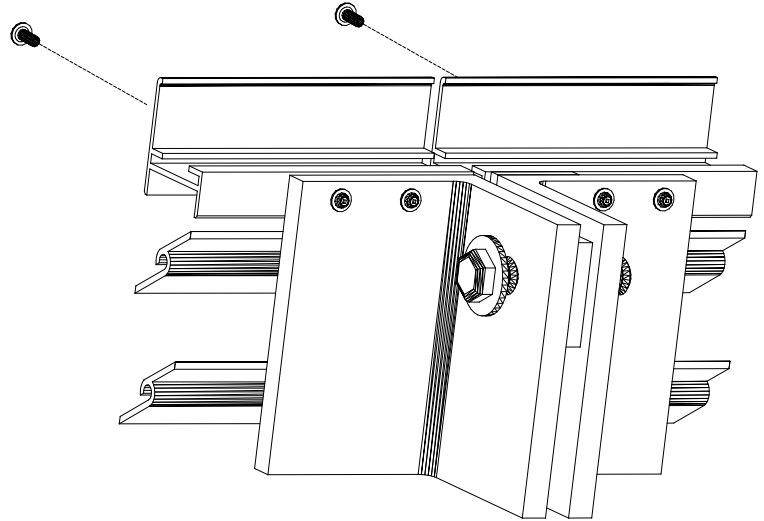
PLAN VIEW OF JAMBS



STEP - 4

INSTALLING MULTI-SECTION LOUVERS

1. IF LOUVER IS A MULTI-SECTION LOUVER INSTALL SECTION #1 (FAR LEFT SECTION AS VIEWED FROM EXTERIOR) AS NOTED IN STEP 3 ABOVE.
2. PUT NEXT SECTION IN OPENING WITH A SPACING OF 1/8" BETWEEN SECTIONS. INSERT SHIMS UNDER LOUVER SECTION TO PROVIDE FOR CLEARANCE AS SHOWN IN SHOP DRAWINGS. MAKE SURE SECOND SECTION ALIGNS WITH FIRST SECTION.
3. BOLT THE SUPPORTS TOGETHER MAKING SURE TO SHIM BETWEEN SUPPORTS.
4. BOLT CLIP ANGLE TO SUPPORT AS SHOWN ON THE SHOP DRAWINGS.
5. FASTEN THE LOUVER TO THE PERIMETER THROUGH THE FLANGE IN THE LOUVER FRAME AS REQUIRED
5. CONTINUE PROCESS UNTIL ALL SECTIONS ARE INSTALLED.



FOR PROBLEMS WITH MATERIAL SIZES, QUANTITIES, OR ERECTION,
NOTIFY: CONSTRUCTION SPECIALTIES, INC.,
DEL RIO, TX PRODUCTION DEPARTMENT, IMMEDIATELY.
107 JOHNSON BLVD. DEL RIO, TX 78840
TELEPHONE: (830) 774-0151