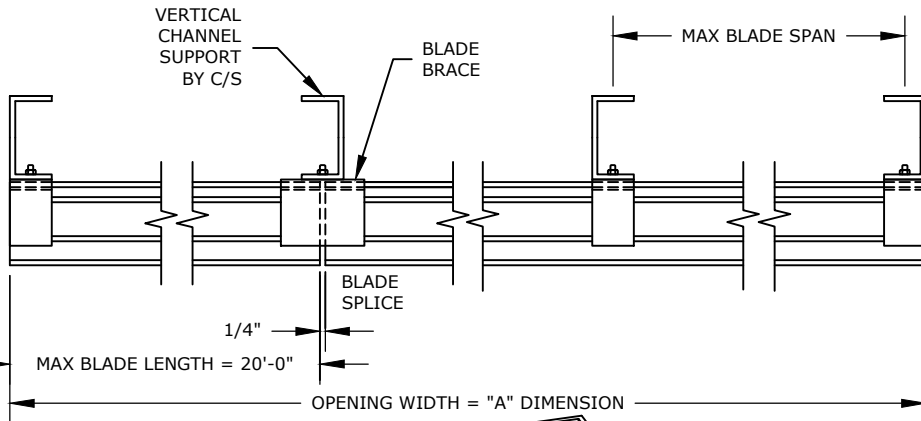
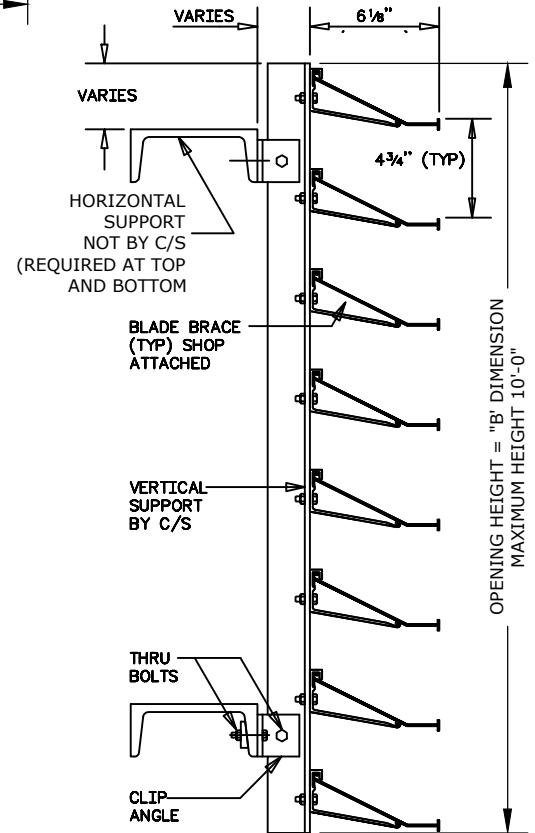
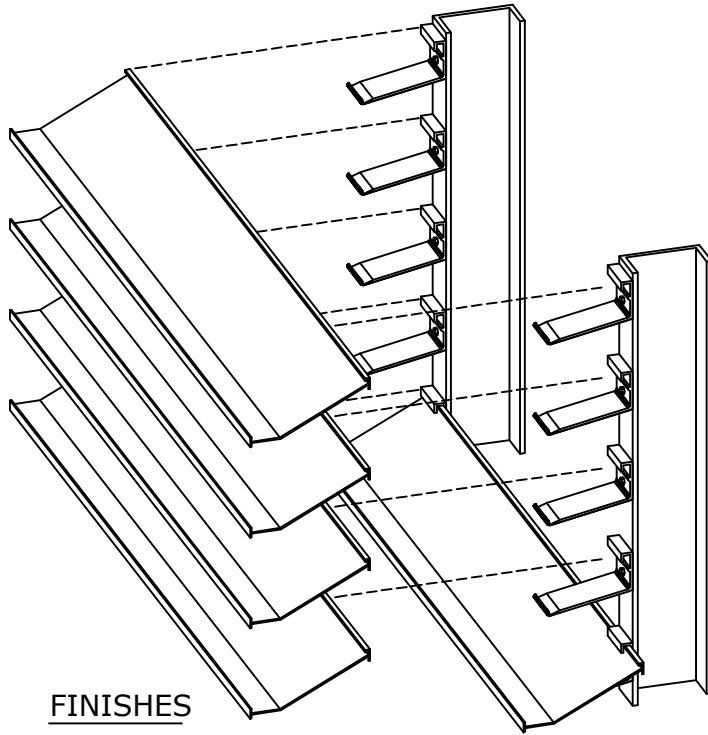


C/S VERT-A-CADE MODEL VAC-304



PLAN VIEW (NTS)



VERTICAL SECTION (NTS)

FINISHES

- STANDARD MILL
- FLUOROPOLYMER POWDER COAT
(NOT AVAILABLE IN 600XL OR 700)
- KYNAR (500),(600XL)or(700)
 - (1) OF C/S STD. COLORS
 - CUSTOM COLOR, C/S REQUIRES A COLOR CHIP FOR MATCHING
- BRONZE ANODIC (DARK OR MED.)
- CLEAR ANODIZE
- OTHER _____

NOTES:

MAXIMUM HEIGHT = 10'-0"
 VERTICAL CHANNEL SUPPORTS AND HORIZONTAL BLADES SHIP LOOSE FOR FIELD ASSEMBLY BY INSTALLER

UNSUPPORTED BLADE LENGTH= _____ @ _____ PSF.

MARK	QTY.	"A" DIM.	"B" DIM.	# OF VERTICAL CHANNEL SUPPORTS	VERTICAL CHANNEL SPACING	# OF BLADE SPLICES	CHANNEL SUPPORT SIZE	REMARKS

Construction Specialties, Inc.
 49 Meeker Avenue
 Cranford, New Jersey 07016
 (908) 272-5200
 Fax (908) 272-6038

PROJECT:

CUSTOMER:

ARCH'T:

AGENT:

DRAWN BY:

DATE:

DWG. NO:

SHEET OF