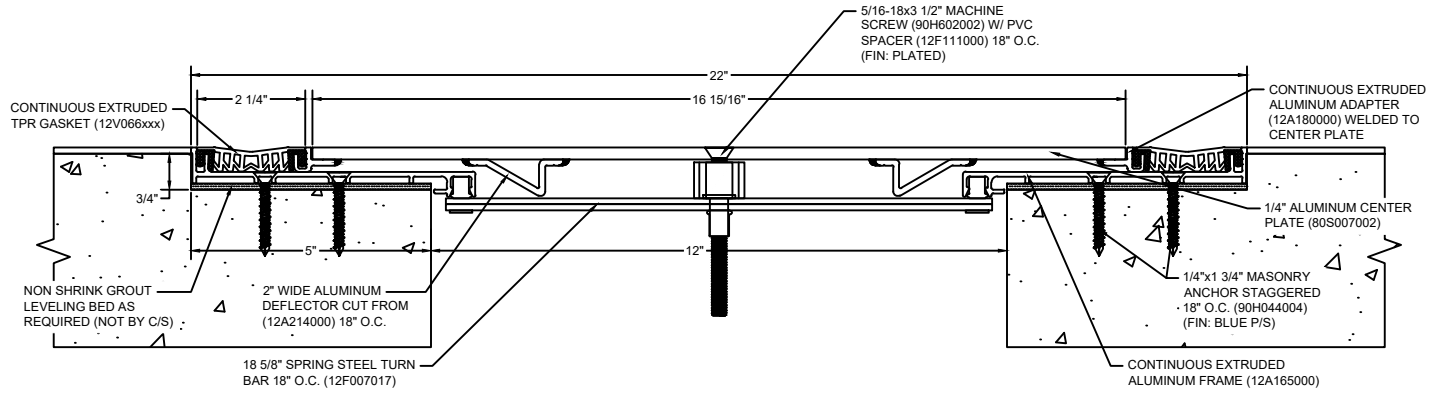





\*\*\* CUSTOM COLORS ARE AVAILABLE AT AN ADDITIONAL CHARGE, SUBJECT TO MINIMUM QUANTITIES. \*\*\*



# Model: SGP-1200

|   |  |           |            |
|---|--|-----------|------------|
|  <p><b>Construction Specialties®</b><br/> <a href="http://www.c-sgroup.com">www.c-sgroup.com</a><br/>         6696 Route 405 Highway, Muncy, PA 17756<br/>         Phone: (800) 233-8493 / Fax: (570) 546-8022<br/>         895 Lakefront Promenade, Mississauga, Ontario L5E 2C2 Canada<br/>         Phone: (888) 895-8955 / Fax: (905) 274-6241</p> | <p>© Copyright 2018 Construction Specialties, Inc.</p> | PROJECT:  | SCALE: NTS |
|   |  | CUSTOMER: | DATE:      |
|   |  | LOCATION: | JOB NO.:   |
|   |  | DRAWN BY: | SHEET NO.: |