

Polycarbonate Explosion Relief Panel



Model ERP-PC Top Hinged

This system has a polycarbonate core insert to allow for natural light, and can be top or bottom hinged. The resettable magnetic latch can be calibrated to release at a specified range.

Advantages

- Translucent polycarbonate core insert allows natural light into facility
- Top or bottom hinge
- Permanent magnetic latch releases at specified range
- Field testable and resettable, even after negative wind actuation
- Shock restraint device cushions panel's deceleration as the full open position is reached
- Rotating hold open device protects the structure and allows super-heated gases to cool
- Smooth beveled surfaces reduce dust, are easy to clean, and help prevent secondary explosions

Applications

- Facilities handling hazardous materials that require adequate safeguards against explosions
- Facilities with minimal space for windows that still require natural light

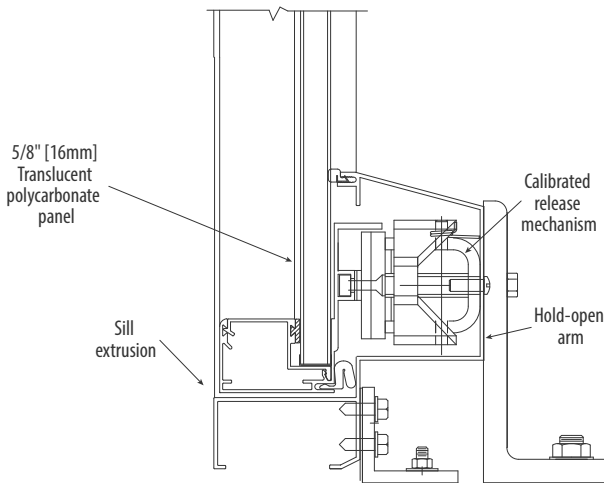
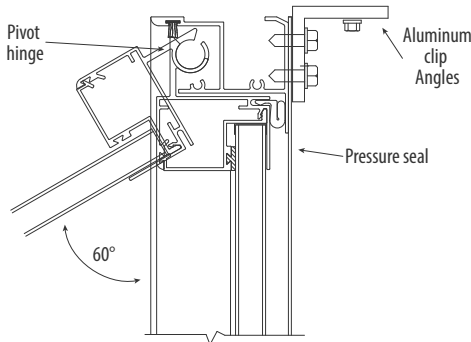
Polycarbonate Explosion Relief Panel

Product Details

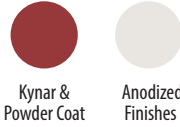
- Sizes range from 2' x 2' (0.61m x 0.61m) up to 4' x 8' (1.22m x 2.44m)
- Standard release setting is 20-30 lb/ft²

Certifications/Testing

- Meets NFPA 68 Guide for Venting of Deflagrations and major building and fire code requirements



Vent Finish Options



Translucent Polycarbonate Insert Options



See all finish options online at c-sgroup.com.

Warranty

- Standard Limited Warranty



Learn More →