

PEDIMAT AA WITH RECESSED LEVEL BASE FRAME / TRIMMABLE EDGE ALL SIDES

INSERT STYLE:

INSERT COLOR: PLEASE ADVISE

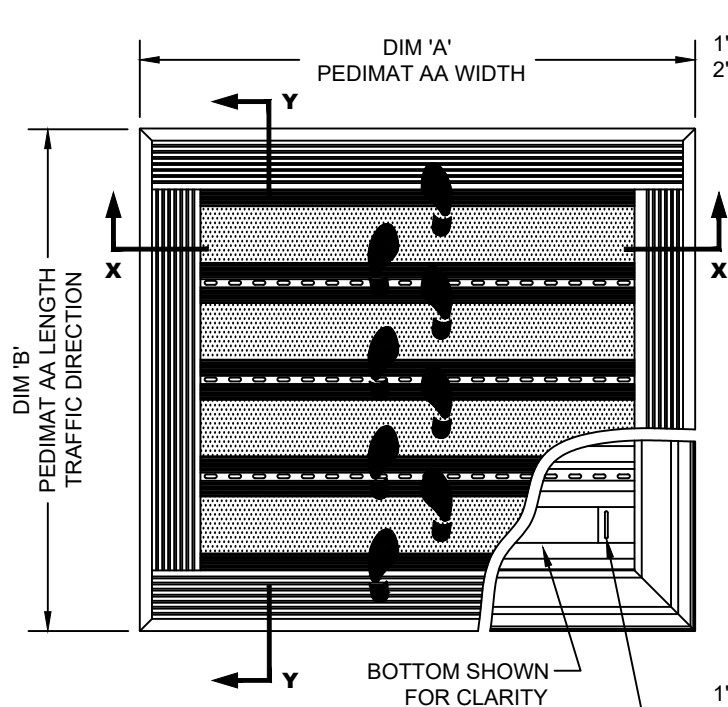
CATALOG NUMBER: M2

PART NUMBER:

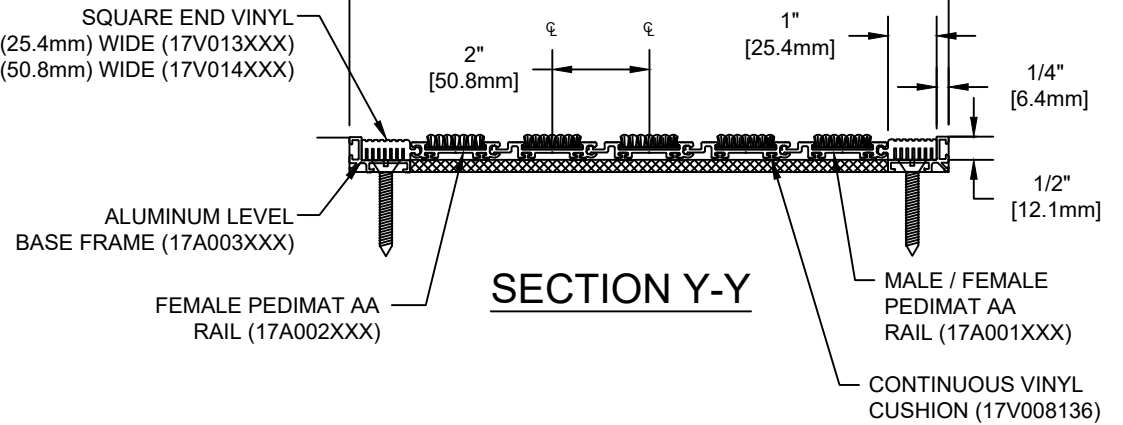
NO.	REVISION	DATE	BY
NO.	F&F RELEASE	DATE	BY

RECYCLED RUBBER M2RR 19R005XXX	EXTERIOR CARPET M2EC 19C018XXX	HEAVY-DUTY CARPET M2HC 19C010XXX 19C022XXX	RUBBER M2V 19V022501 #8501 BLACK	VINYL ABRASIVE M2VA 19A007XXX 19M001XXX	SERRATED ALUM. INSERT M2SAI 19A001001
--------------------------------------	--------------------------------------	-----------------------------------------------------	-------------------------------------------	--------------------------------------------------	---------------------------------------------

PEDIMAT AA INSERT STYLES

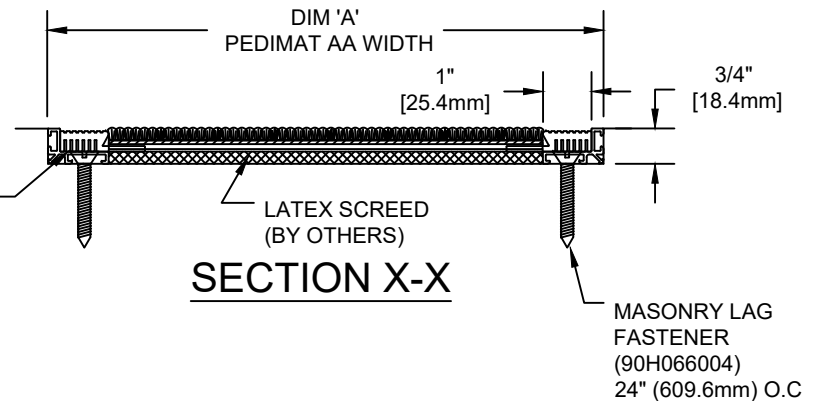


TYPICAL PLAN VIEW



SECTION Y-Y

SQUARE EDGE VINYL  
1" (25.4mm) WIDE (17V015XXX)  
2" (50.8mm) WIDE (17V016XXX)  
SQUARE EDGE VINYL STAPLED TO RAILS



SECTION X-X

NOTES:

\*ALL SURFACES IN CONTACT WITH MASONRY ARE TO RECEIVE A COAT OF ZINC CHROMATE PRIMER

\*MAX. SINGLE GRID SIZE NOT TO EXCEED 12'-0" (3.66M) IN WIDTH (DIM "A") OR 100 SQUARE FEET

\*PLEASE VERIFY TRAFFIC DIRECTION

\*ADDITIONAL SPECIFICATIONS ARE CONTAINED IN THE LATEST C/S CATALOG OR AT C-SGROUP.COM AND ARE CONSIDERED PART OF THIS TRANSMITTAL.

\*PEDIMAT AA SHALL BE ABLE TO SUPPORT A 350 LB. ROLLING LOAD. LARGER LOADING MAY BE ACCOMMODATED. CONTACT C/S SALES WITH SPECIFIC LOADING REQUIREMENTS.

**CS Construction Specialties**  
6696 Route 405 Highway, Muncy PA 17756  
(800) 233-8493 • Fax (570) 546-4692 • www.c-sgroup.com

PLEASE VERIFY ALL	QTY	MARK #	LOCATION	MODEL	DIM 'A' WIDTH	DIM 'B' WIDTH	FINISH	NOTES

PROJECT:		
LOCATION:		
CONTRACTOR:		
AGENT:		SHT:
DRG. BY:	DATE:	JOB NO.: